

FIG 201

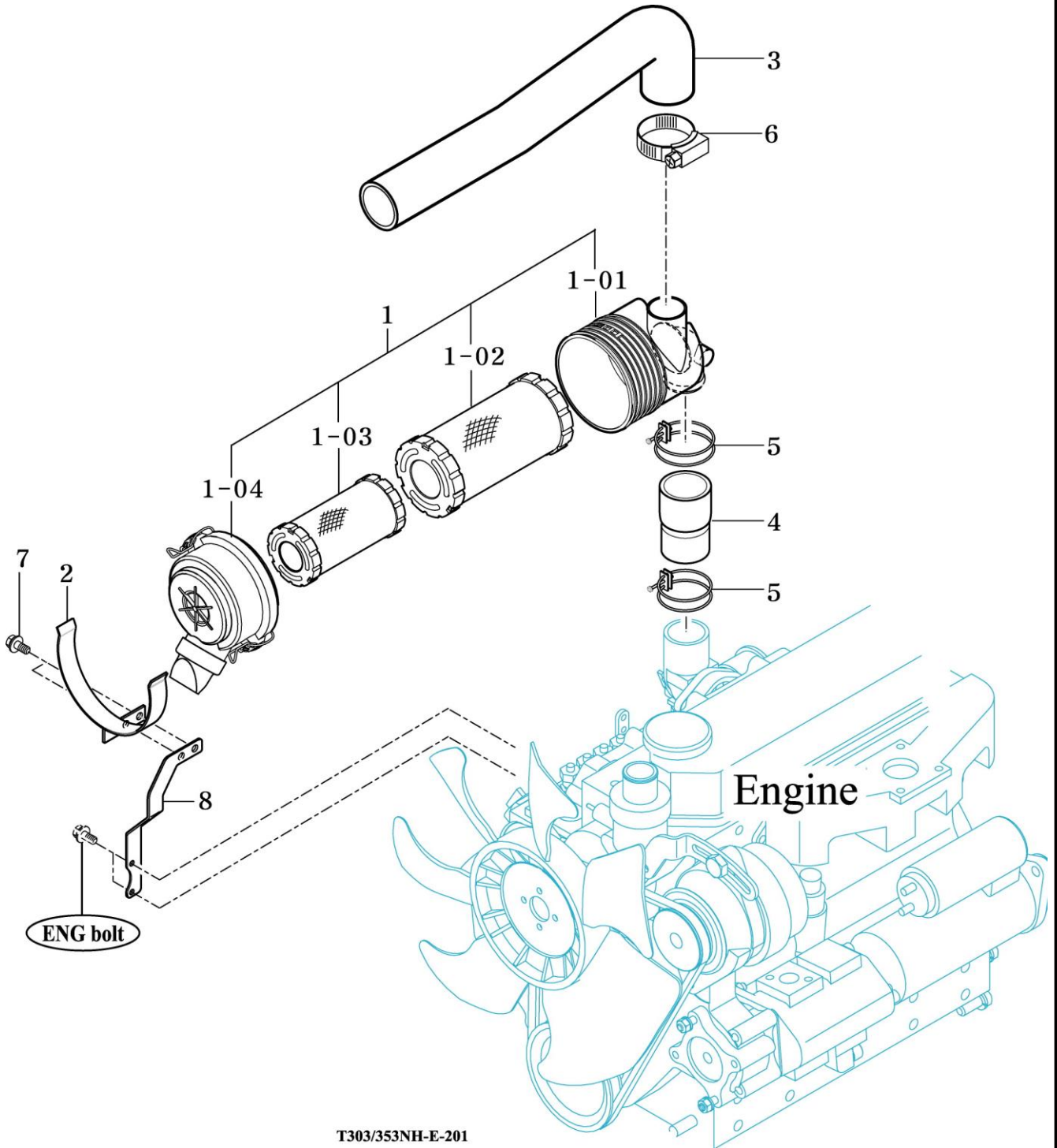
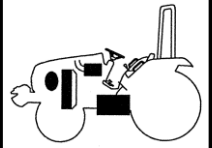
AIR CLEANER

T303/353NH

P1

Year / Month

2008 / 07



T303/353NH-E-201

NOTE

FIG 202

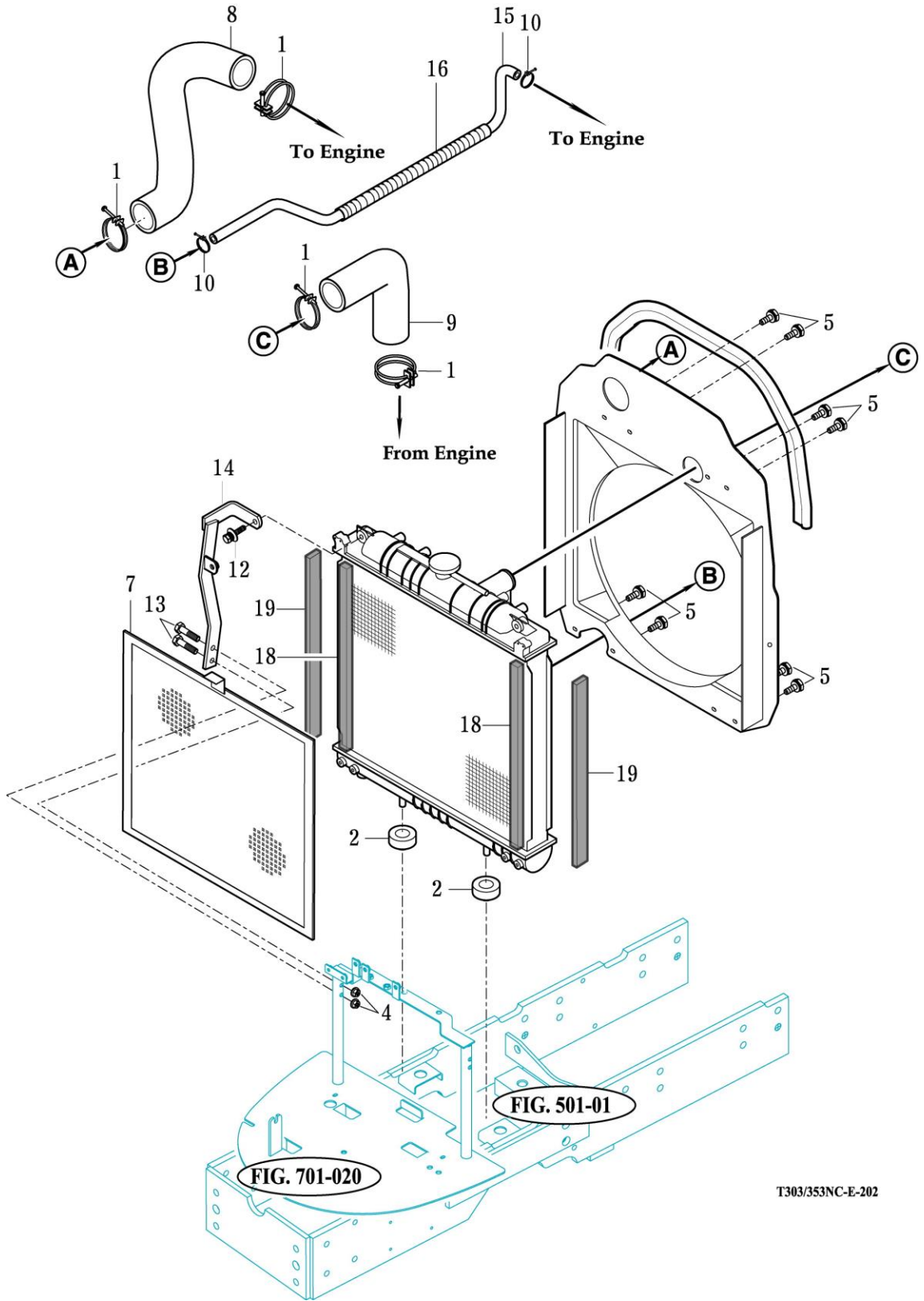
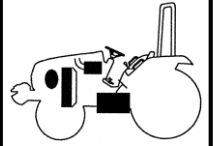
RADIATOR

T303/353NH

P1

Year / Month

2008 / 07



NOTE

FIG 203

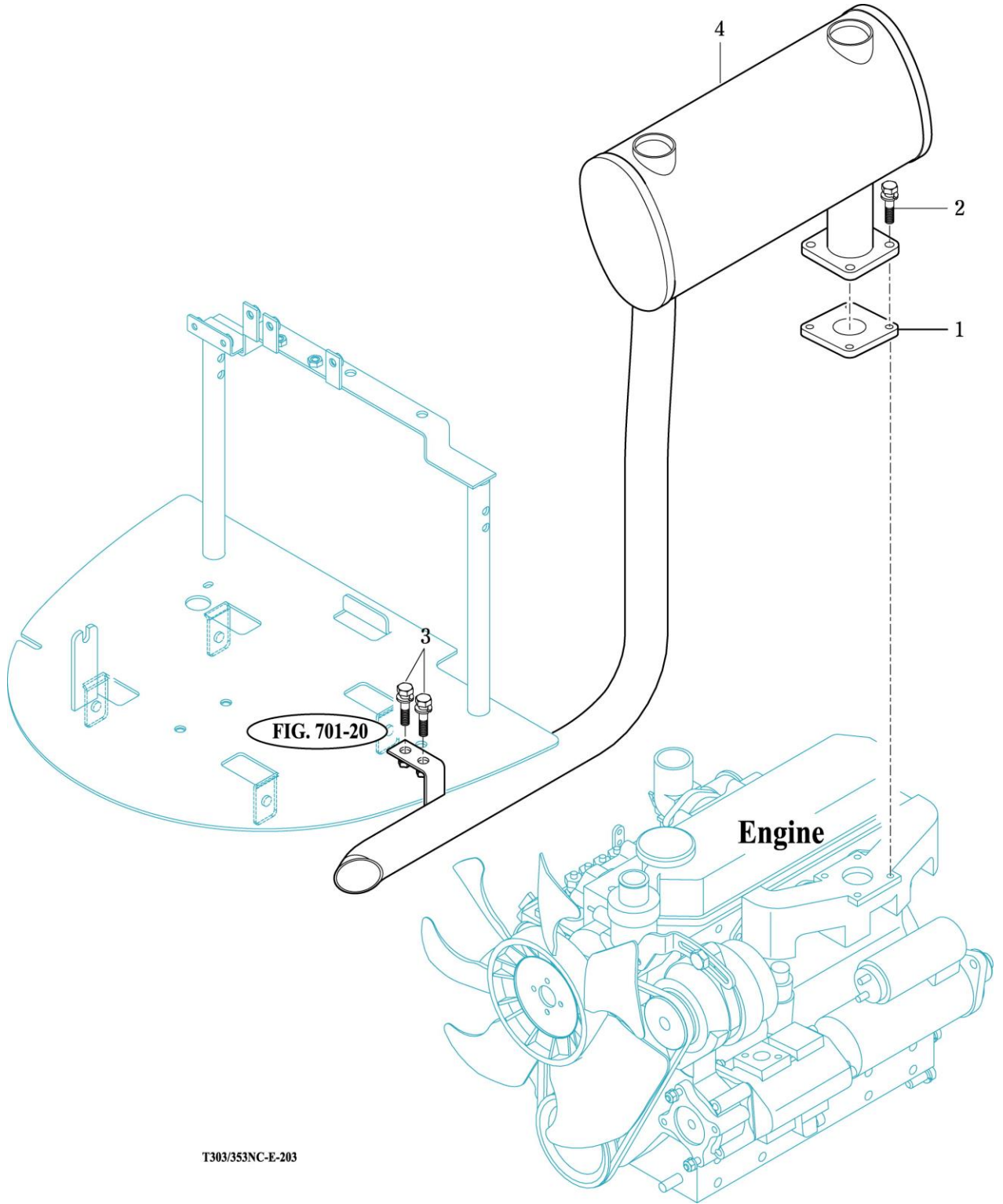
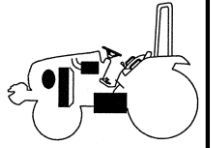
MUFFLER

T303/353NH

P1

Year / Month

2008 / 07



T303/353NC-E-203

NOTE

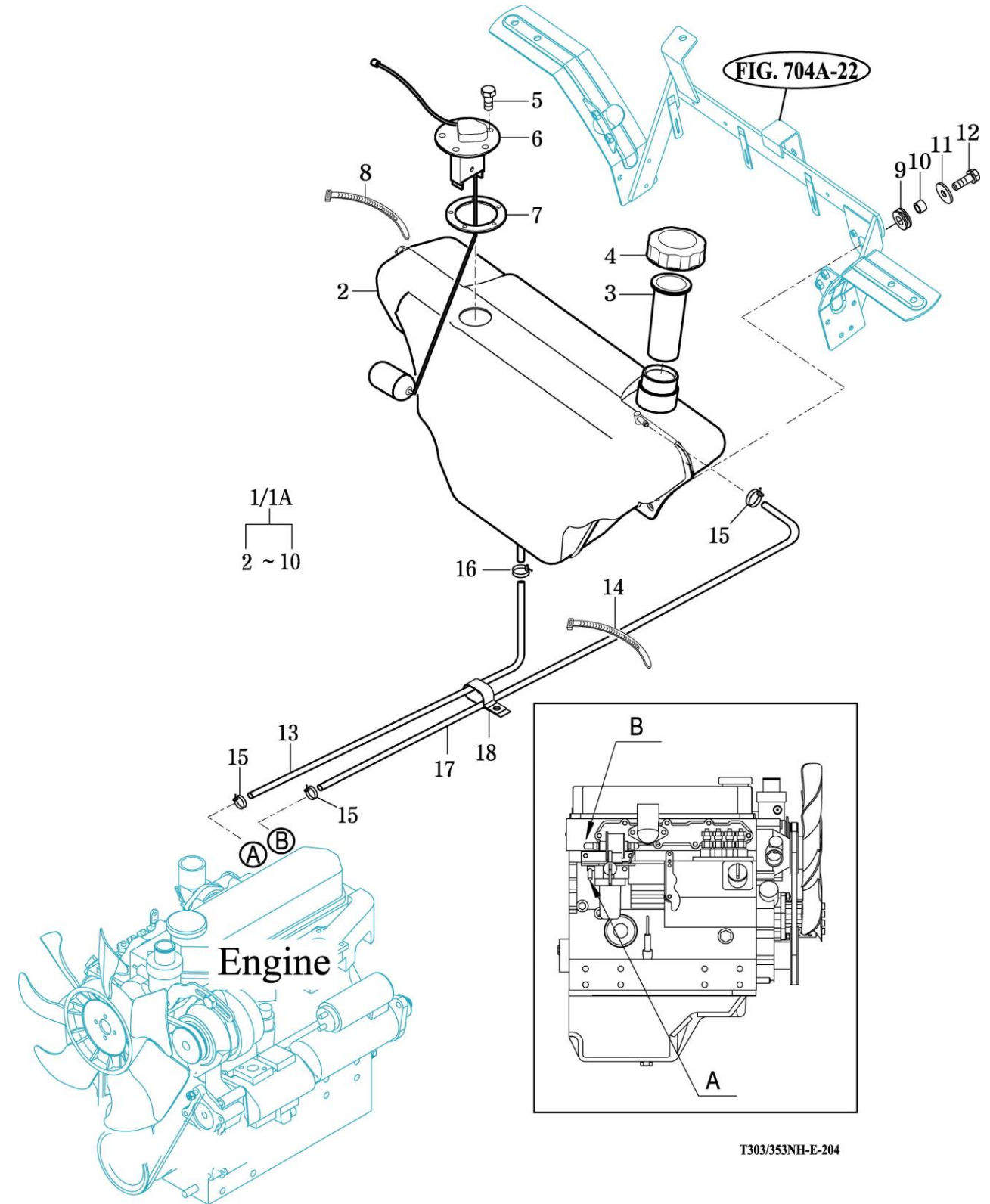
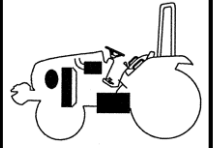
FIG 204

FUEL TANK & HOSE

P1

Year / Month

2008 / 07



T303/353NH-E-204

NOTE

FIG 206

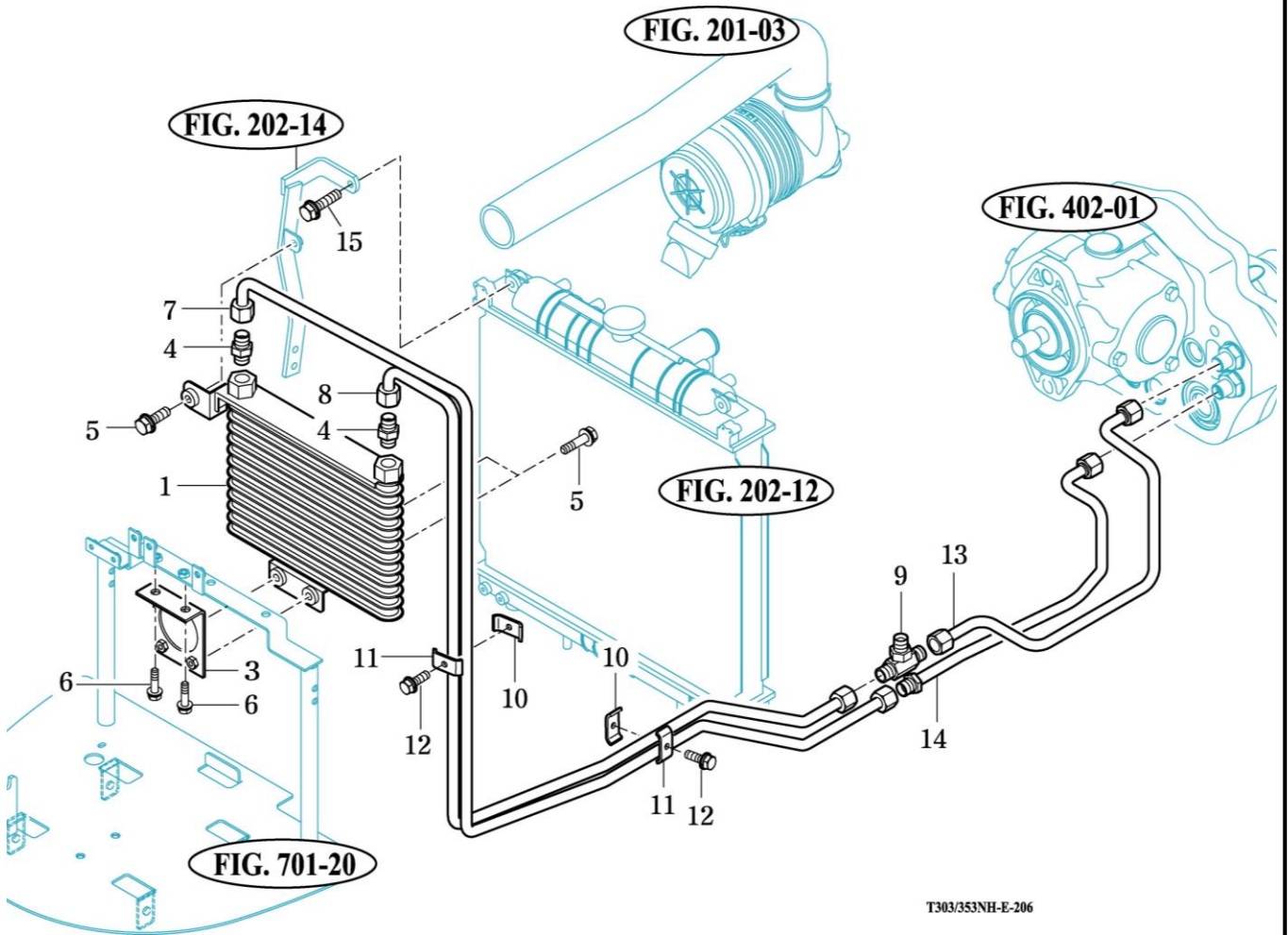
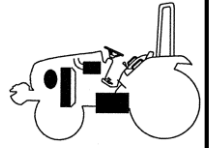
OIL COOLER

T303/353NH

P1

Year / Month

2008 / 07



T303/353NH-E-206

NOTE