

FIG 501

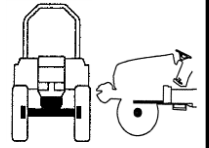
FRAME (1/2)

T233 / T273

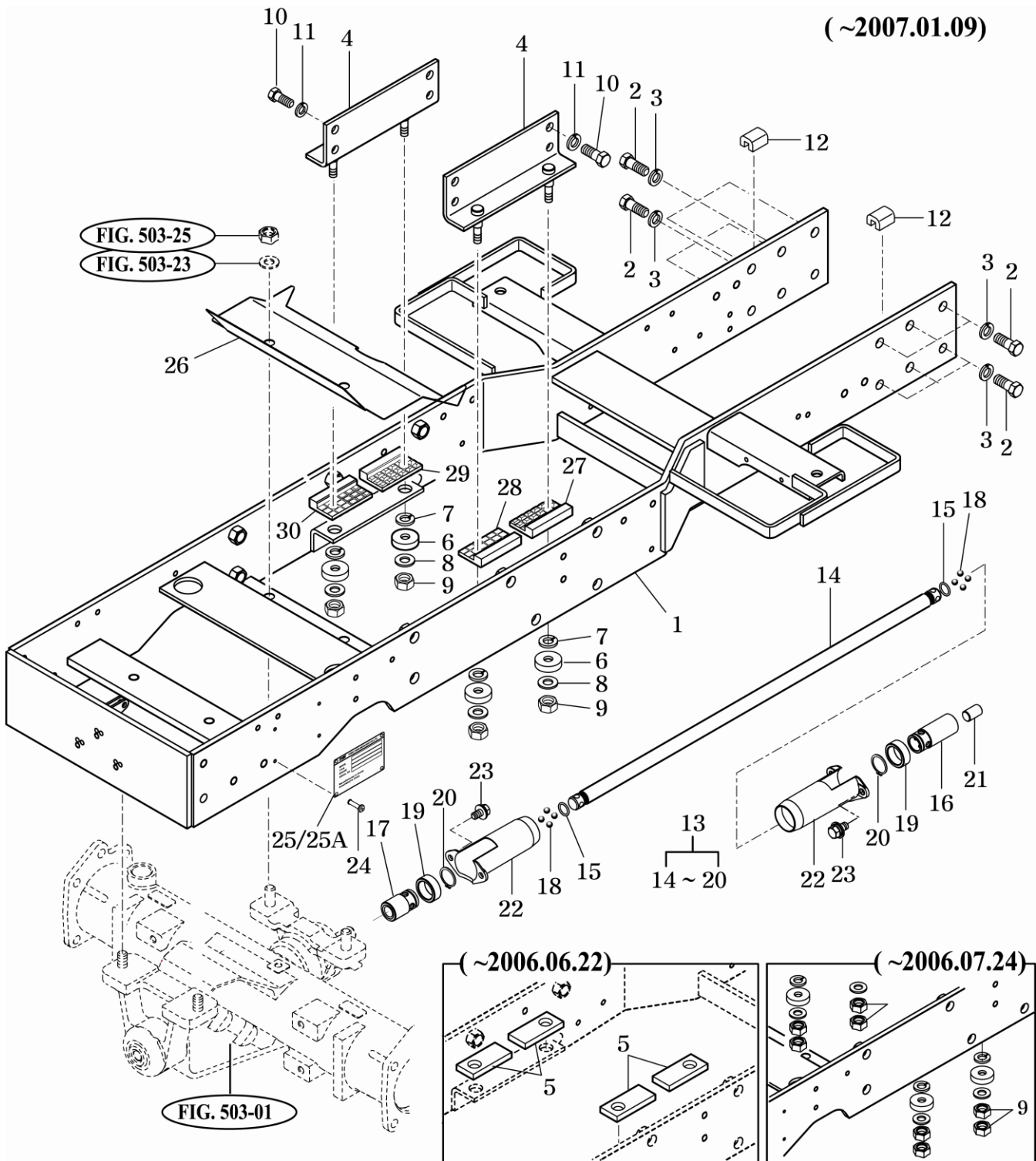
P1

Year / Month

2007 / 11



(~2007.01.09)



T233/T273-E-501(1/2)

NOTE

FIG 501

FRAME (2/2)

P2

Year / Month

2007 / 11

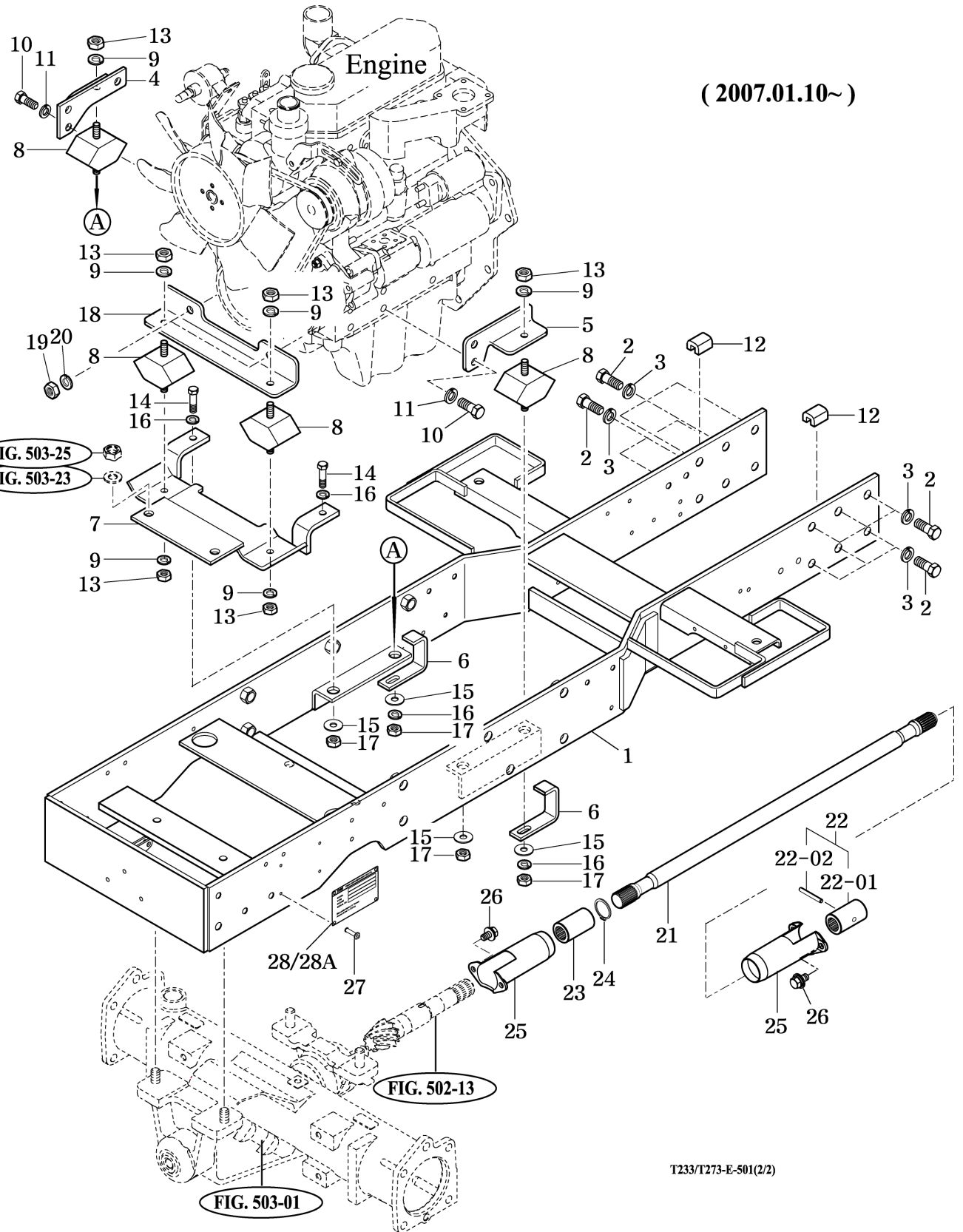
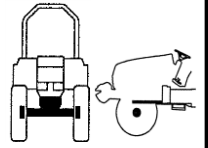


FIG. 503-25  
FIG. 503-23

FIG. 502-13

FIG. 503-01

T233/T273-E-501(2/2)

NOTE

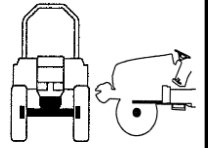
FIG 502

FRONT DIFFERENTIAL GEARS & SHAFT

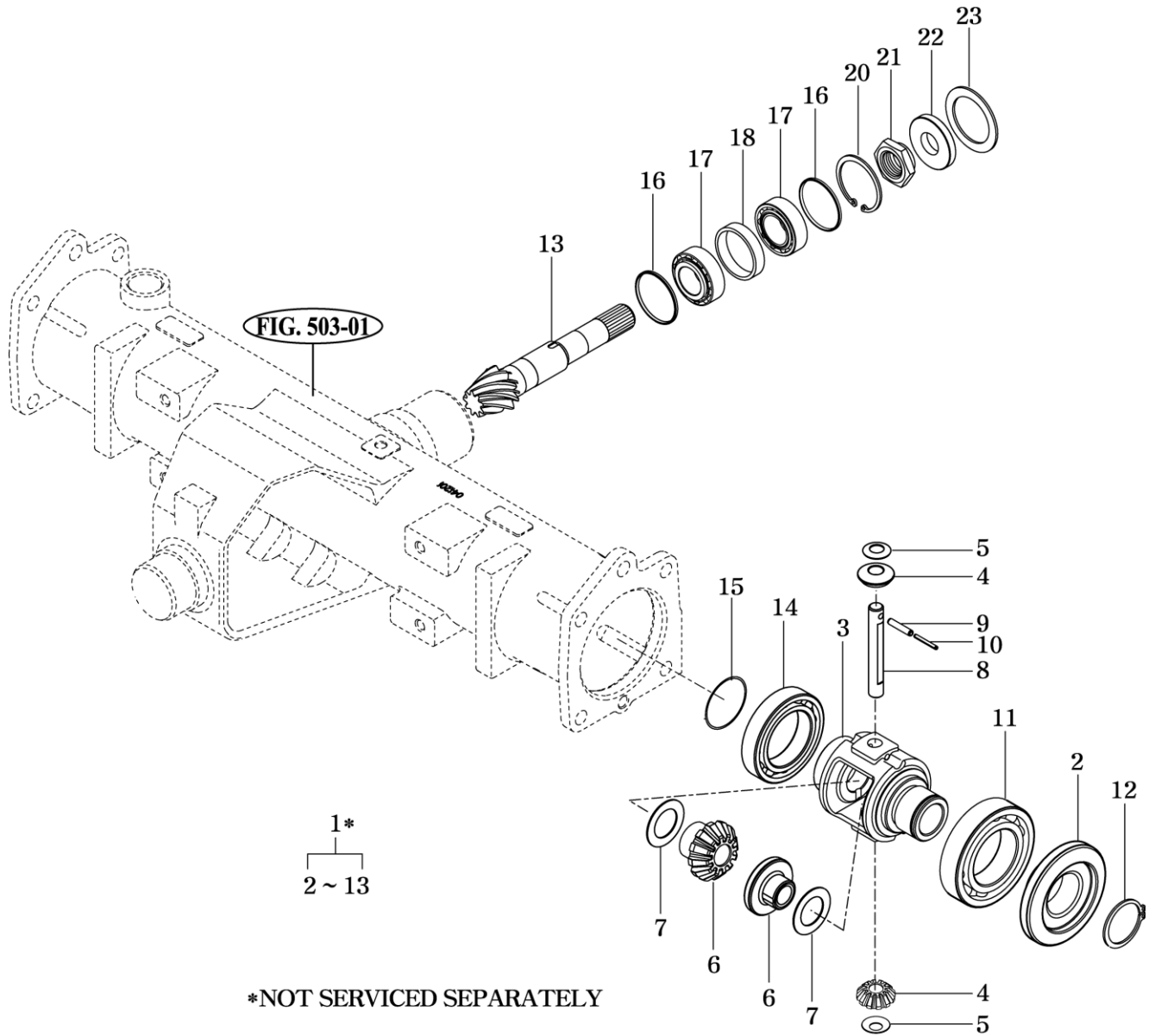
P1

Year / Month

2007 / 11



T233 / T273



T233/T273-E-502A

NOTE

FIG 503

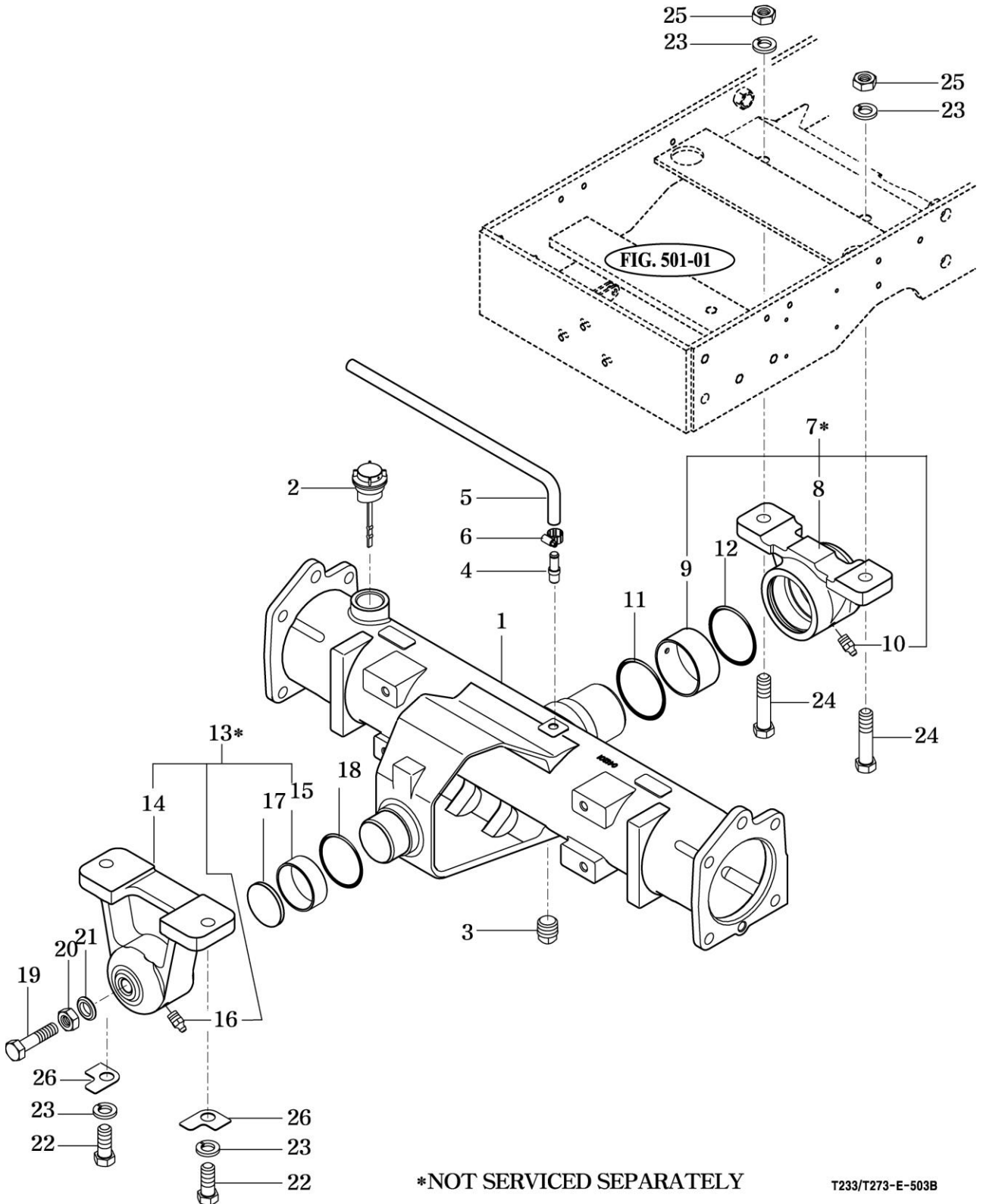
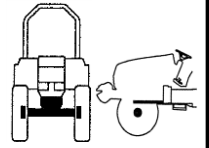
FRONT AXLE HOUSING

T233 / T273

P1

Year / Month

2007 / 11



\*NOT SERVICED SEPARATELY

T233/T273-E-503B

NOTE

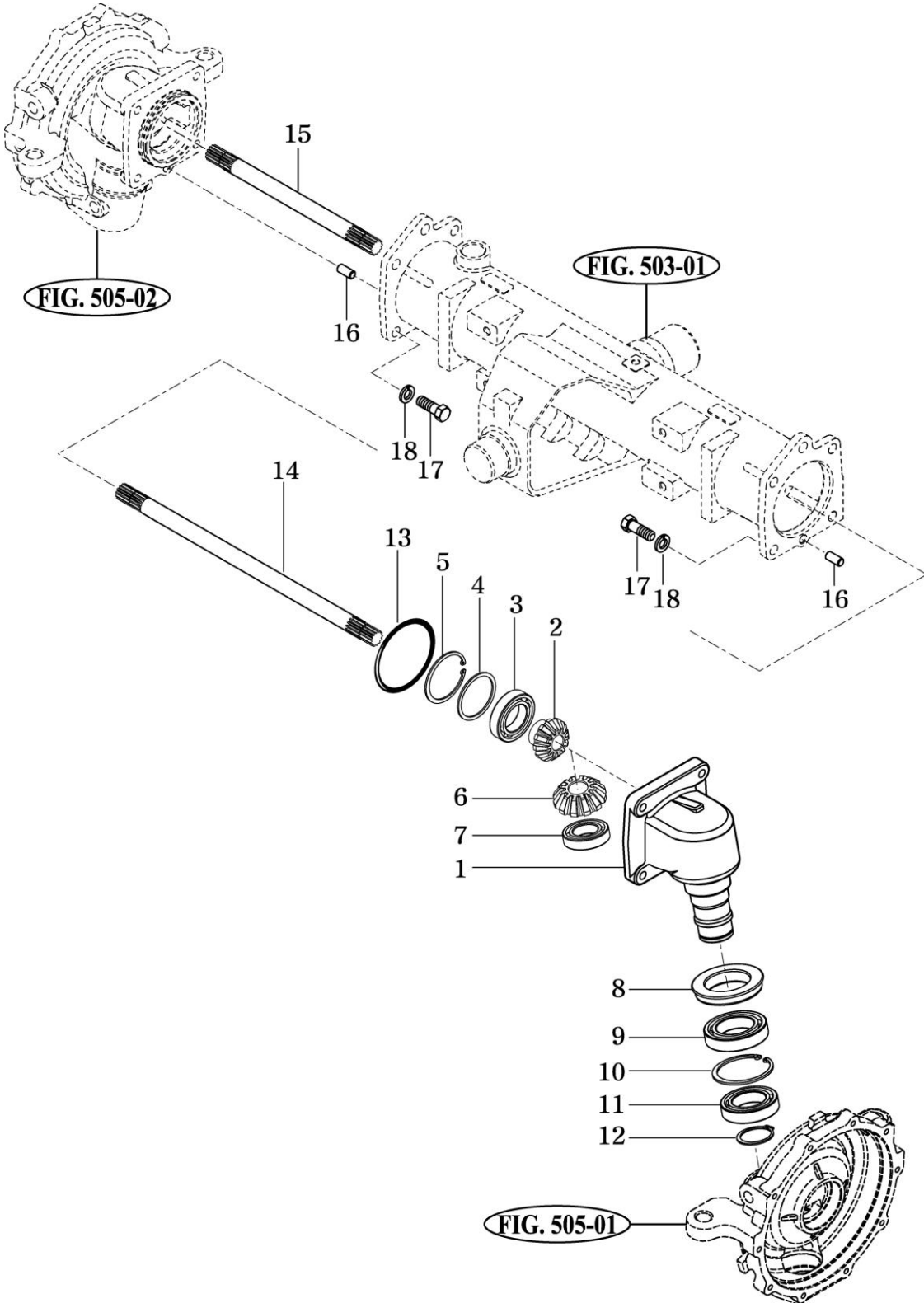
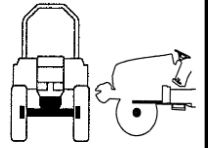
FIG 504

FRONT GEAR CASE (1)

P1

Year / Month

2007 / 11



T233/T273-E-504A

NOTE

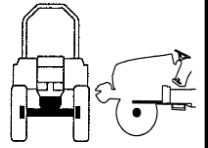
FIG 505

FRONT GEAR CASE (2)

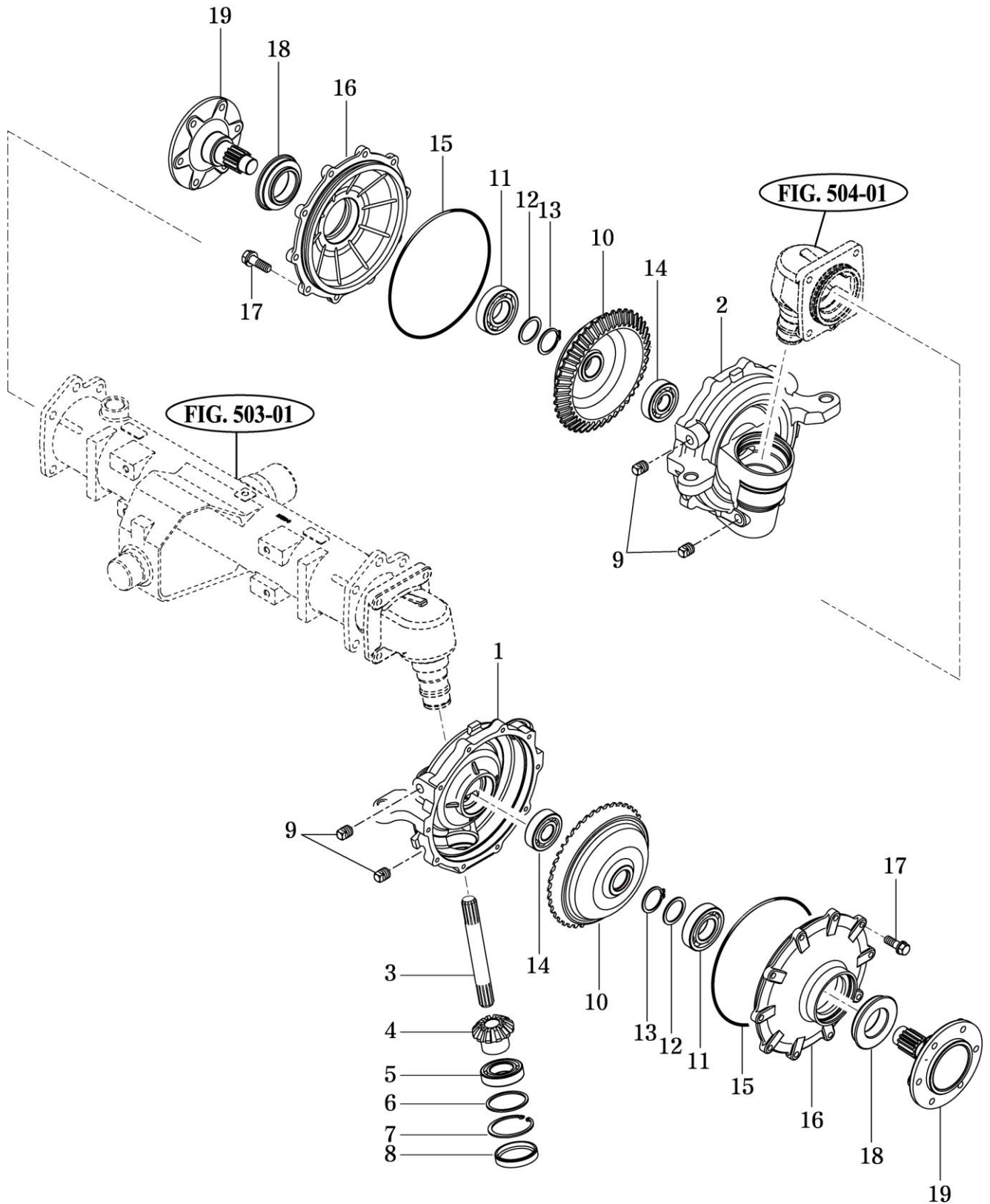
P1

Year / Month

2007 / 11



T233 / T273



T233/T273-E-505A

NOTE