

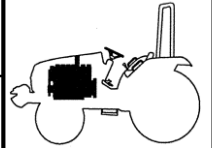
FIG 101

CYLINDER HEAD

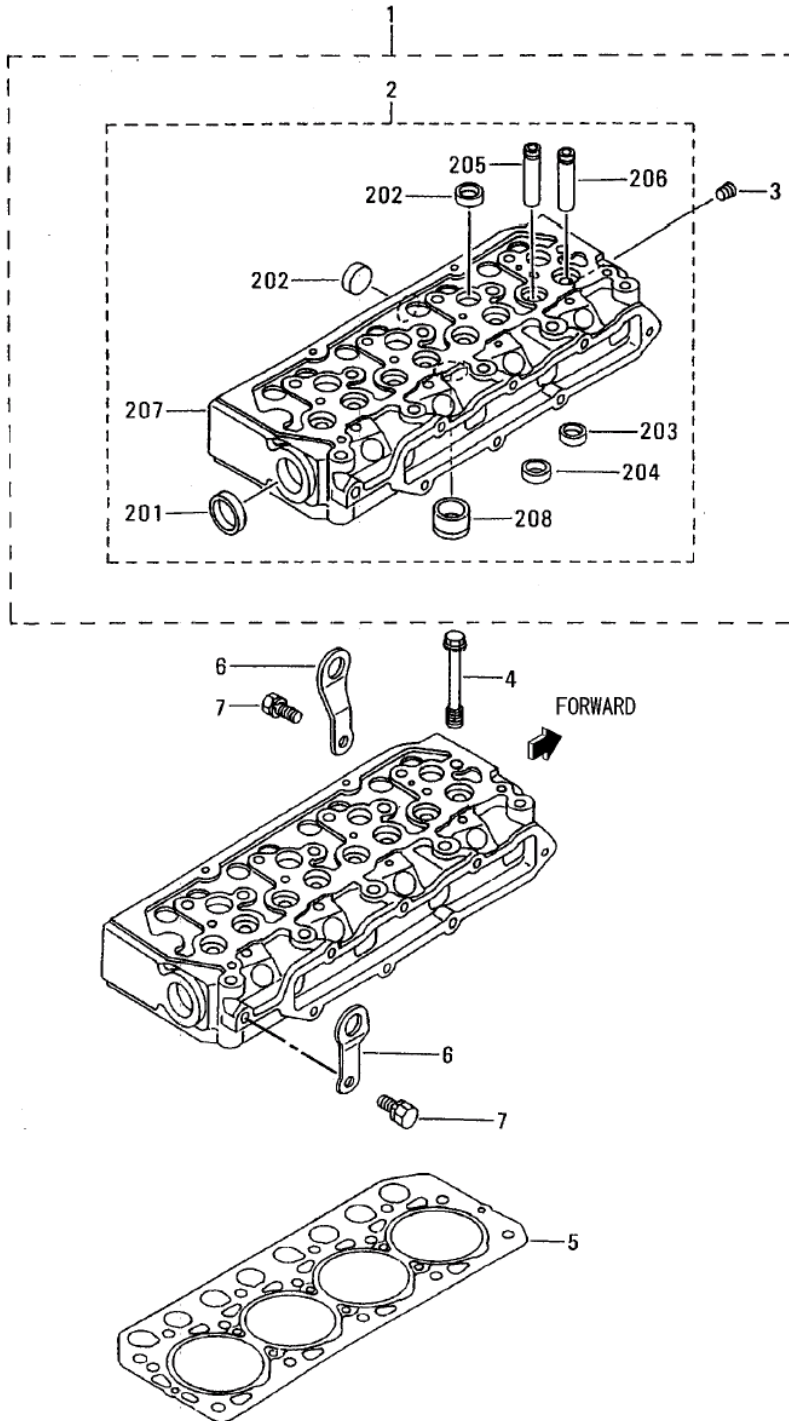
P1

Year / Month

2008 / 07

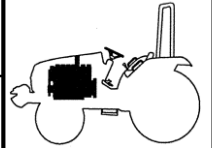


T303/353NH

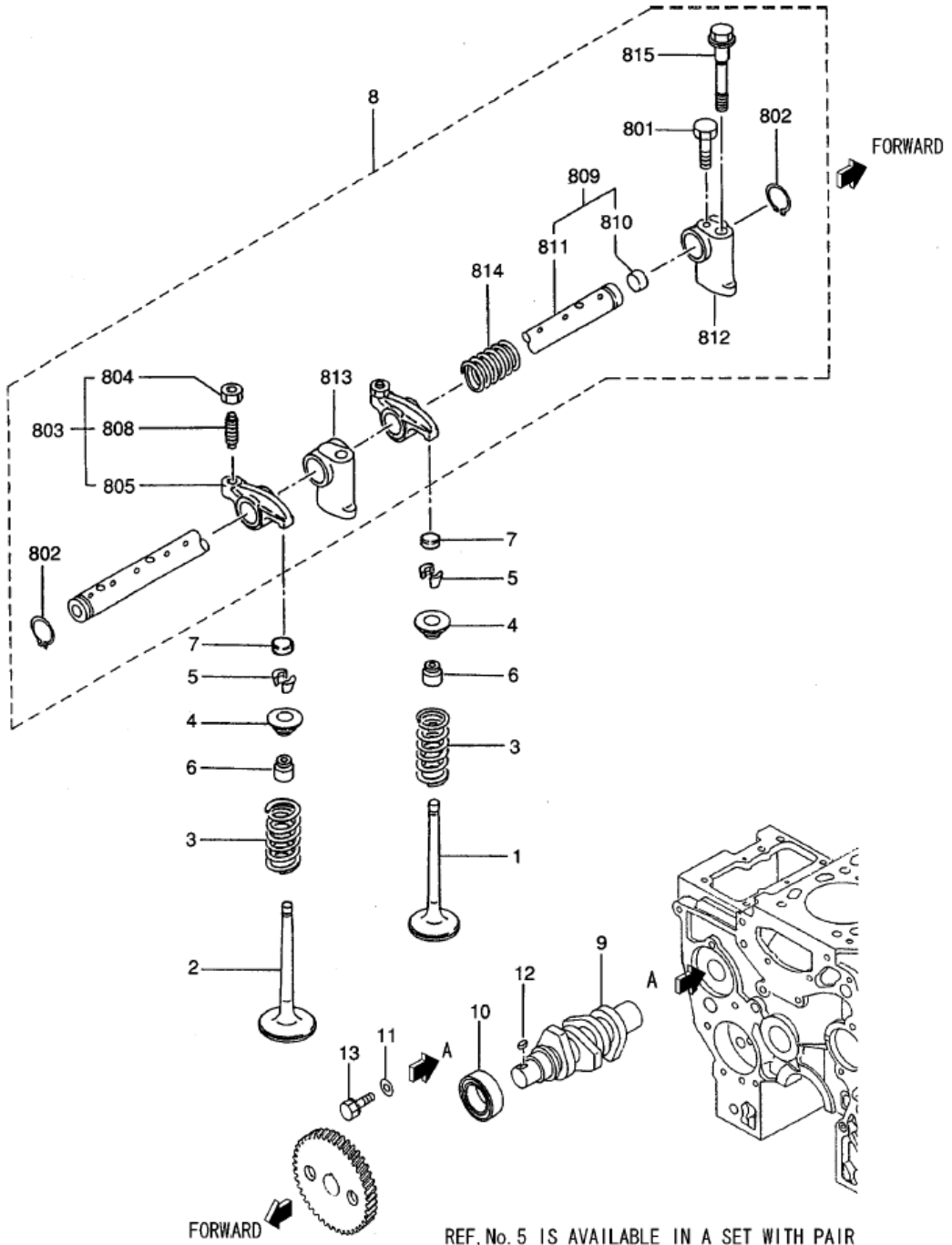


NOTE

S4L(FOR 331),S4L2(FOR 335)



T303/353NH



NOTE

S4L(FOR 331),S4L2(FOR 335)

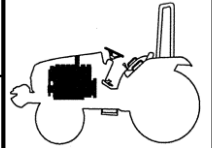
FIG 103

ROCKER COVER & CAMSHAFT

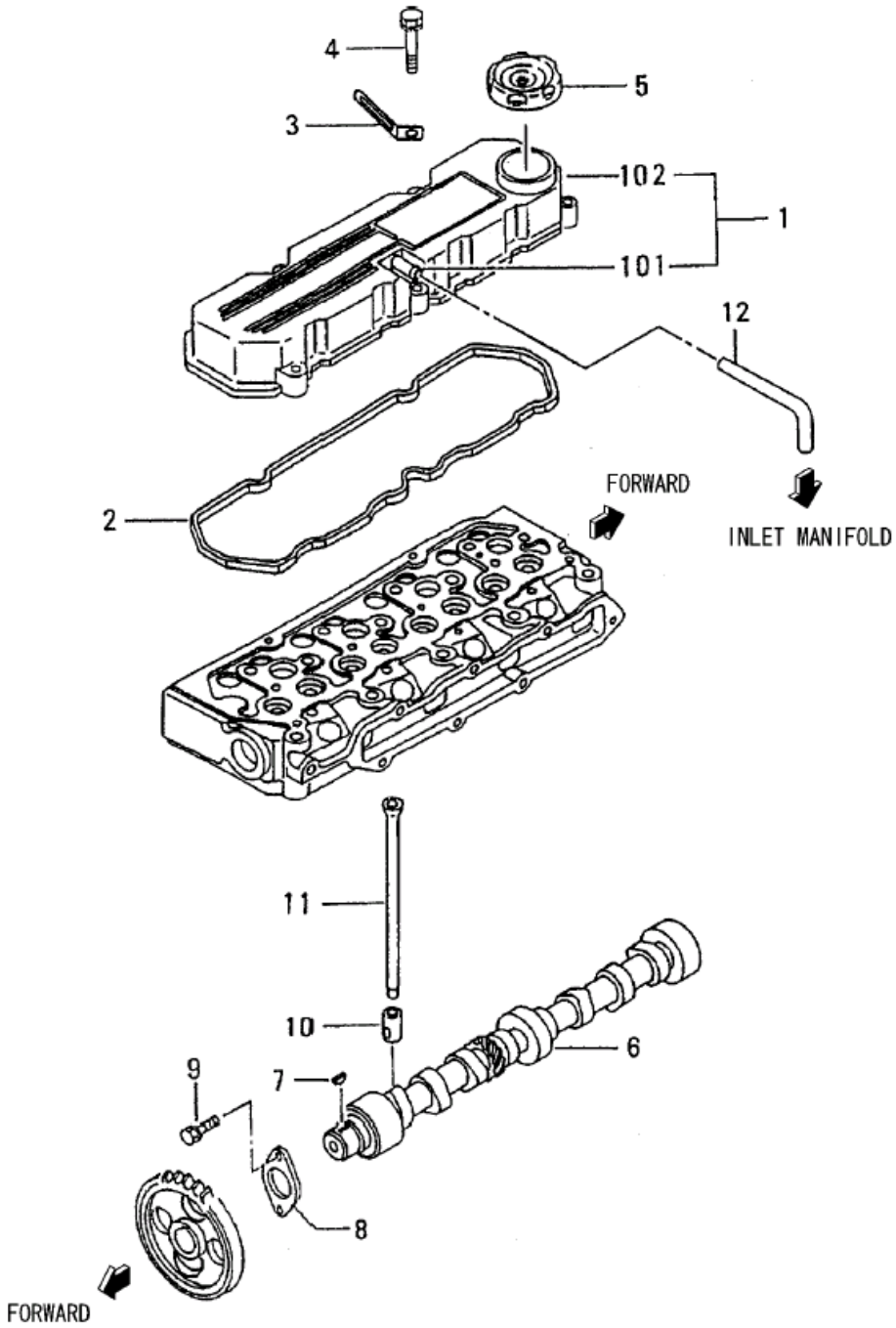
P1

Year / Month

2008 / 07



T303/353NH



NOTE

S4L(FOR 331),S4L2(FOR 335)

FIG 104

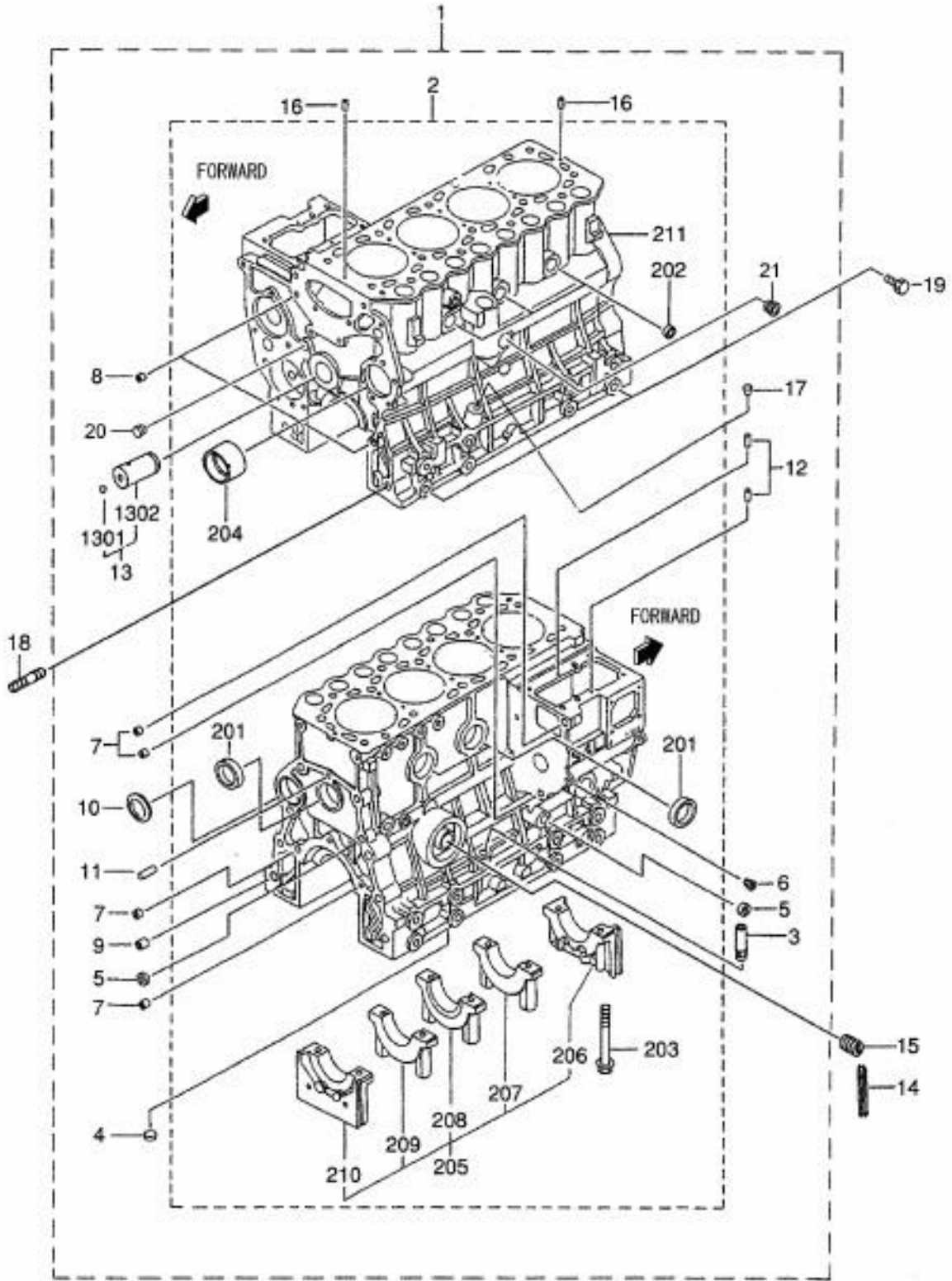
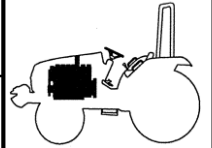
CRANKCASE

T303/353NH

P1

Year / Month

2008 / 07



NOTE S4L(FOR 331),S4L2(FOR 335)

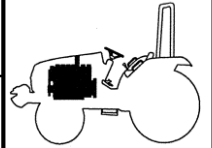
FIG 105

REAR PLATE & MAIN METAL

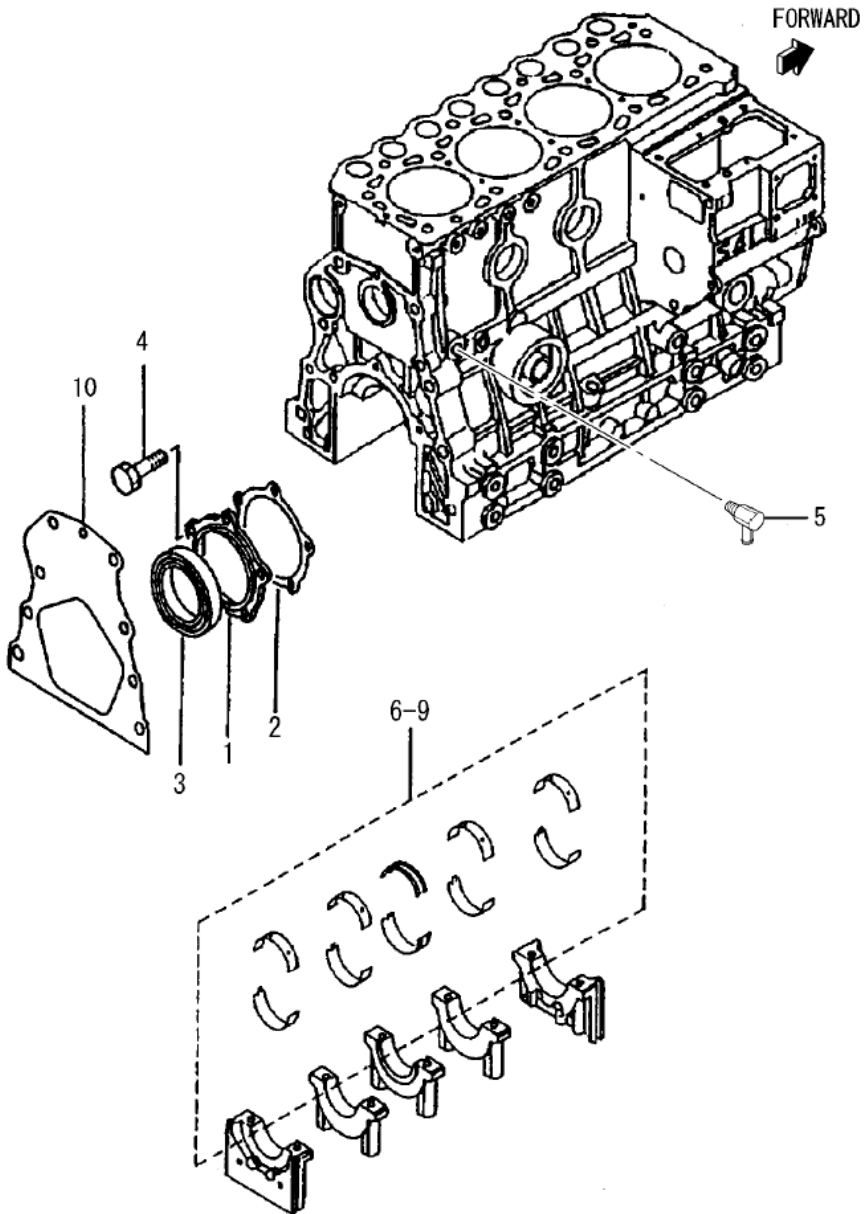
P1

Year / Month

2008 / 07



T303/353NH



NOTE

S4L(FOR 331),S4L2(FOR 335)

FIG 106

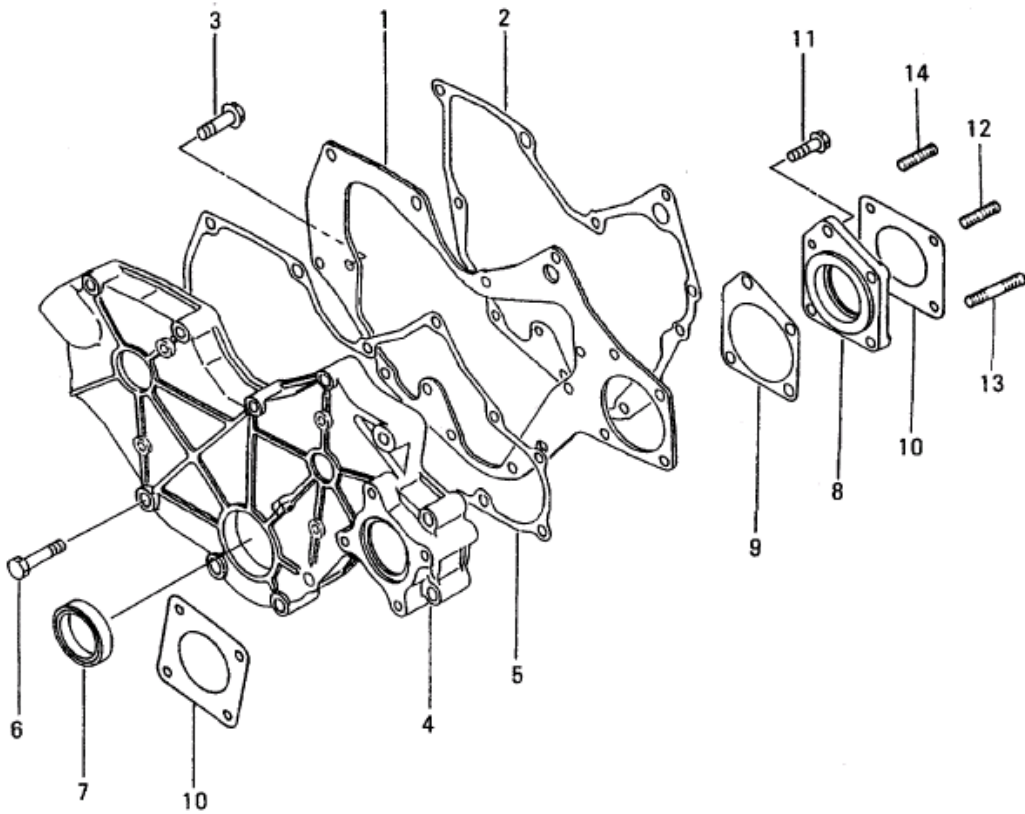
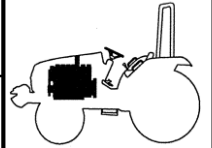
TIMING GEAR CASE

T303/353NH

P1

Year / Month

2008 / 07



NOTE

S4L(FOR 331),S4L2(FOR 335)

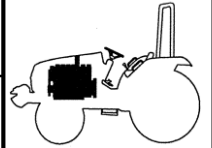
FIG 107

OIL PAN

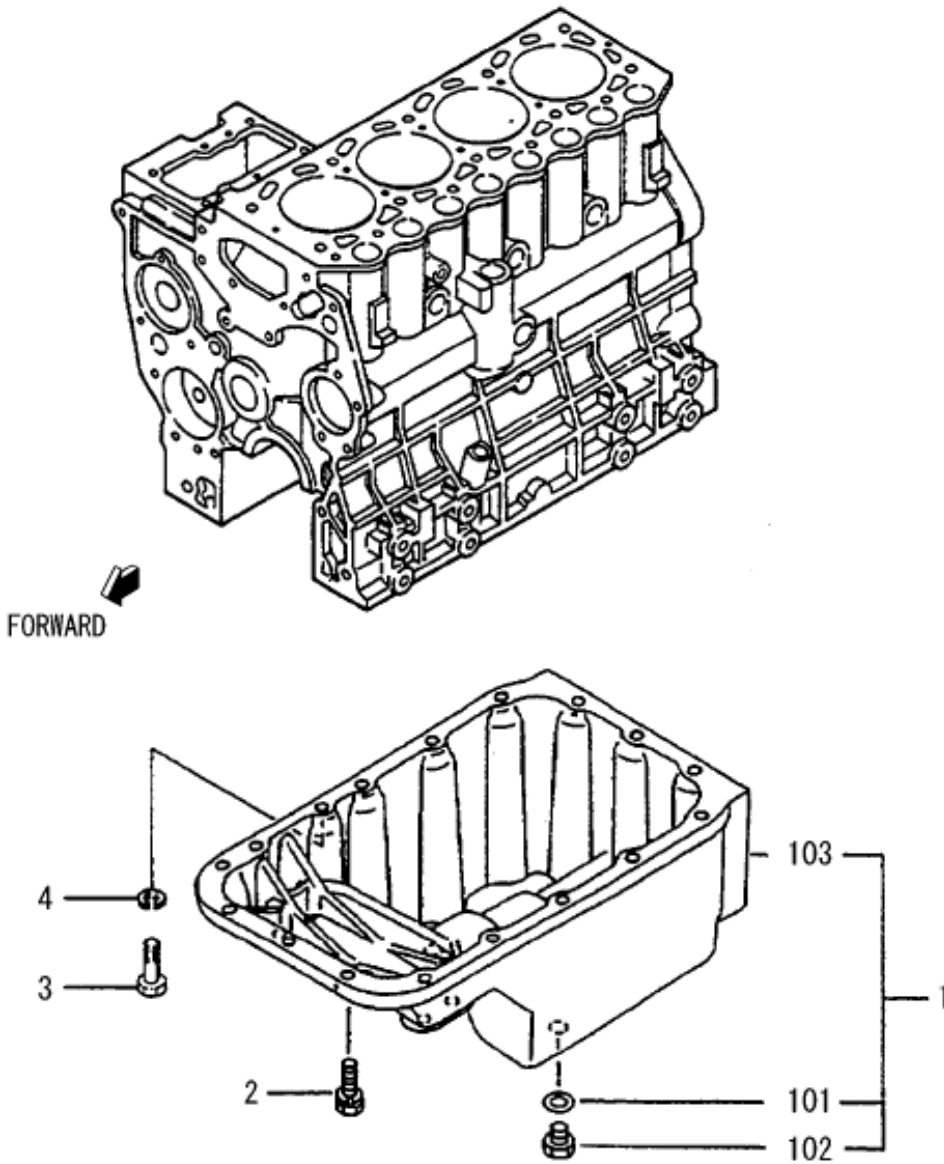
P1

Year / Month

2008 / 07



T303/353NH



NOTE S4L(FOR 331),S4L2(FOR 335)

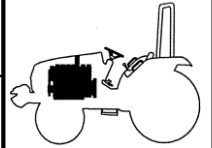
FIG 108

MAIN MOVING PARTS

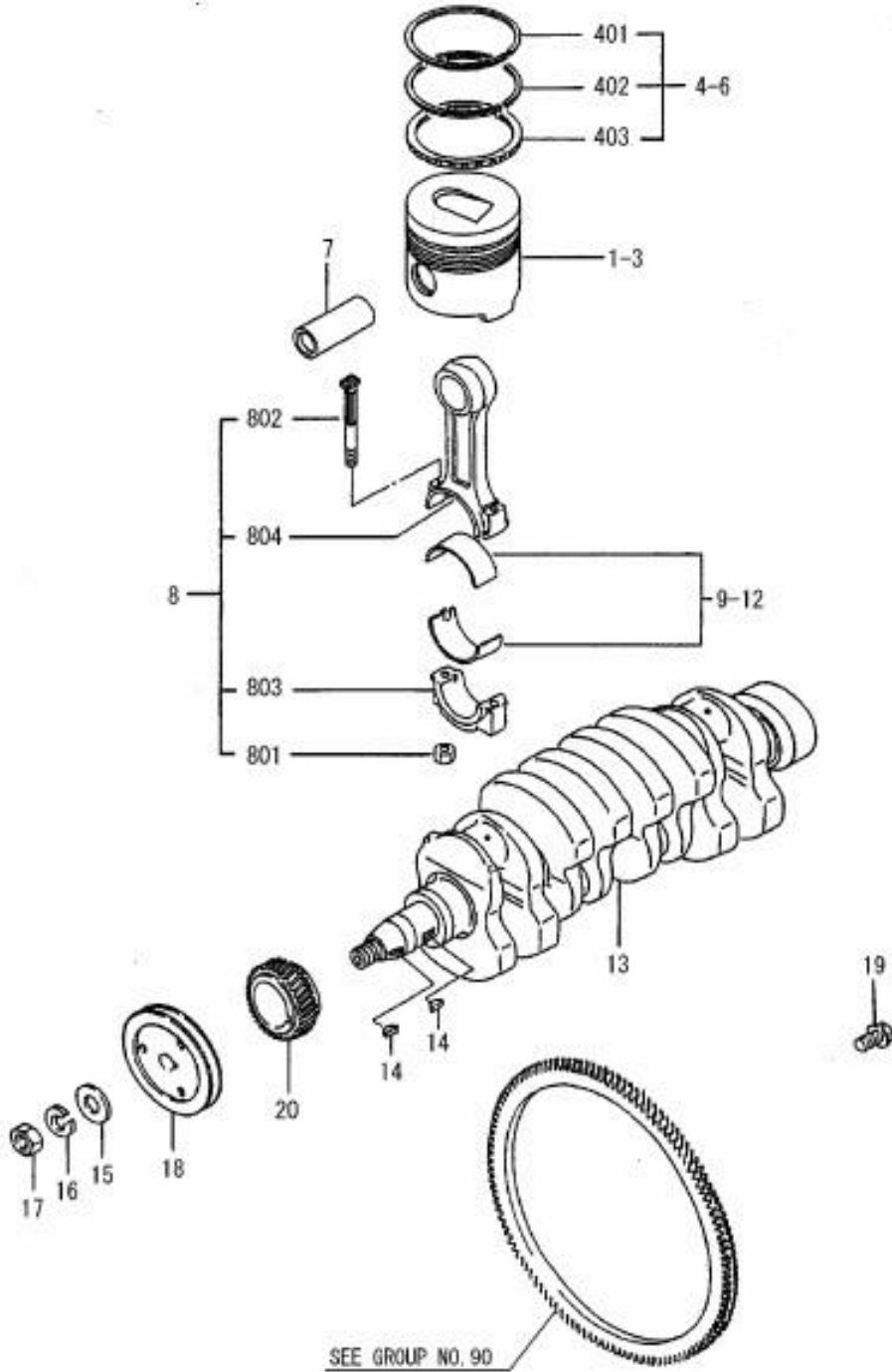
P1

Year / Month

2008 / 07



T303/353NH



NOTE

S4L(FOR 331),S4L2(FOR 335)



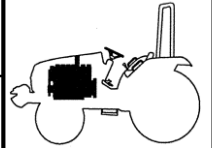
FIG 109

TIMING GEAR

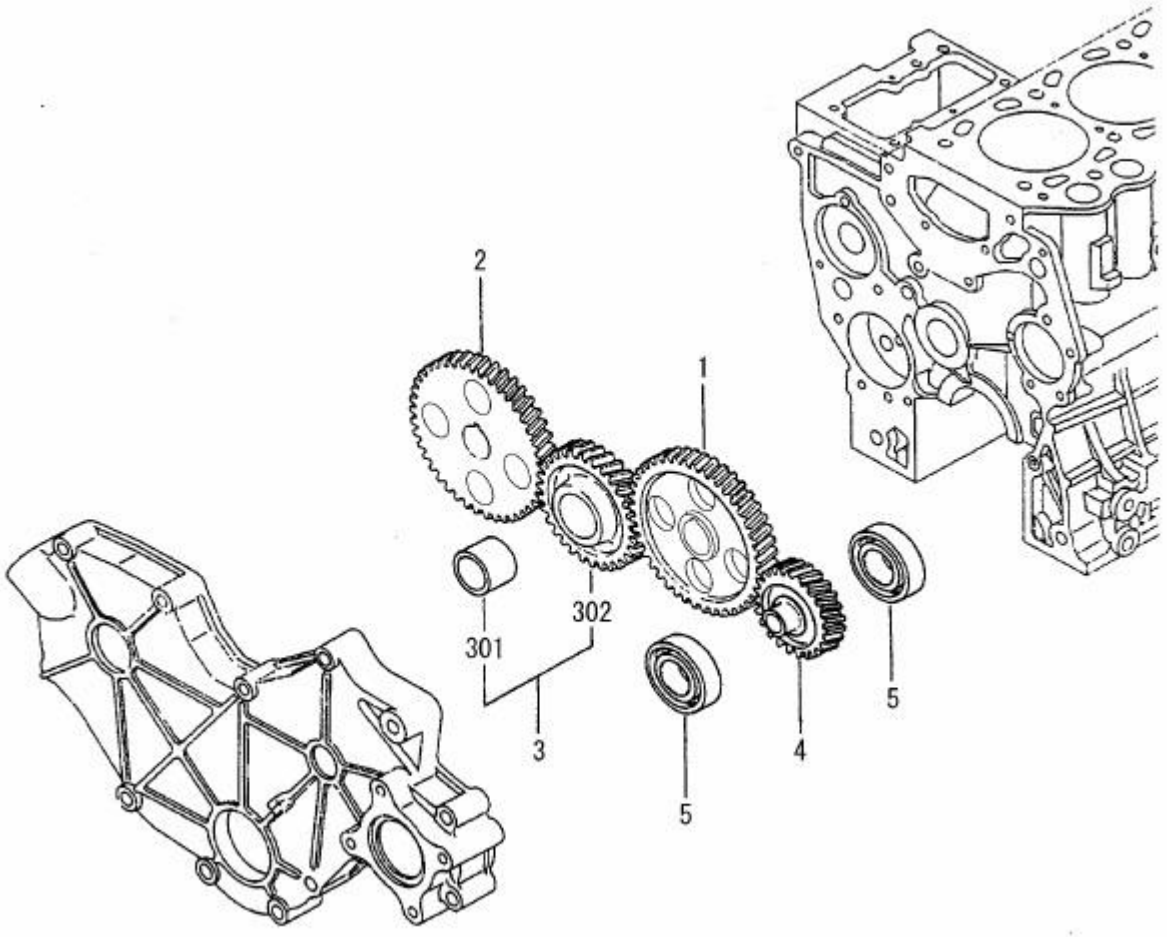
P1

Year / Month

2008 / 07



T303/353NH



NOTE

S4L(FOR 331),S4L2(FOR 335)

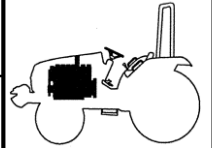
FIG 110

INLET & EXHAUST SYSTEM

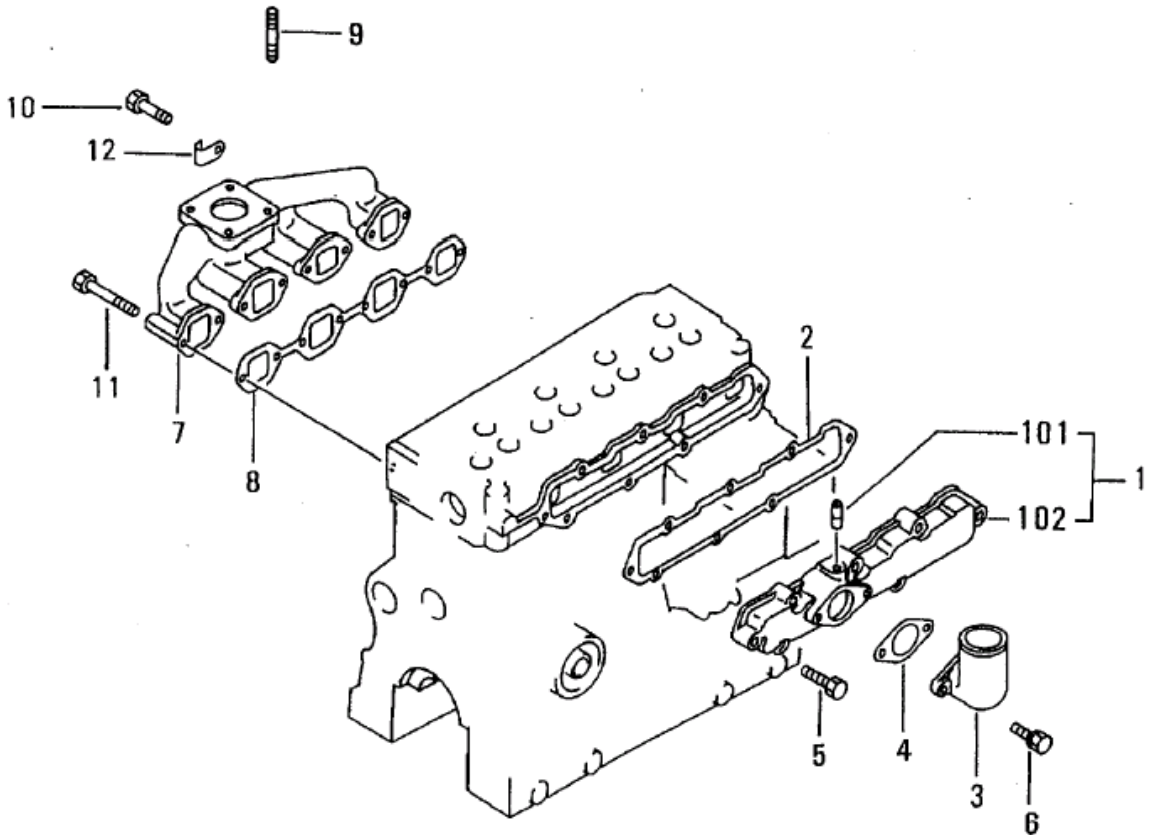
P1

Year / Month

2008 / 07



T303/353NH



NOTE

S4L(FOR 331),S4L2(FOR 335)

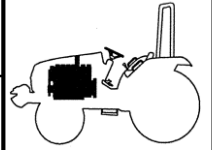
FIG 111

OIL PUMP

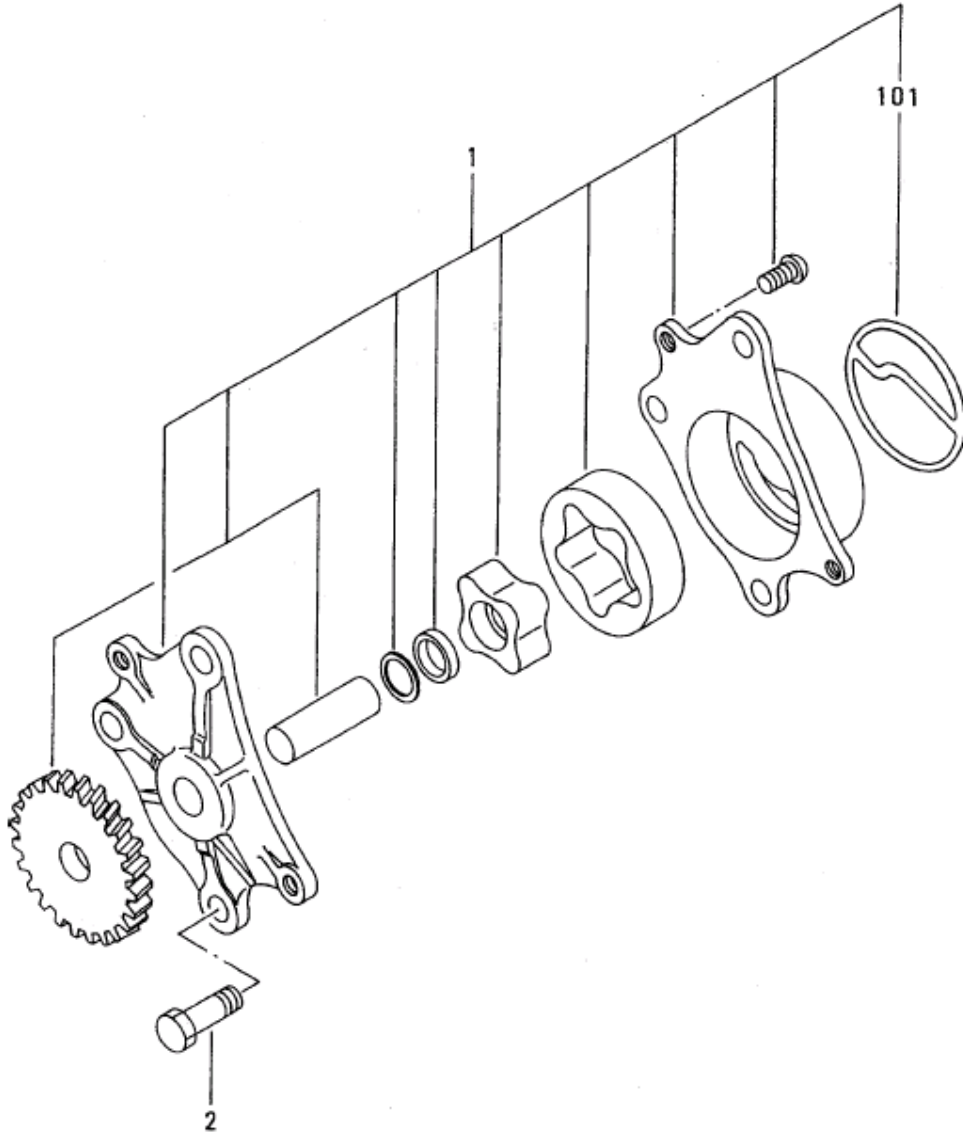
P1

Year / Month

2008 / 07



T303/353NH



NOTE

S4L(FOR 331),S4L2(FOR 335)

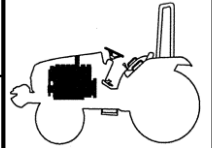
FIG 112

OIL SYSTEM

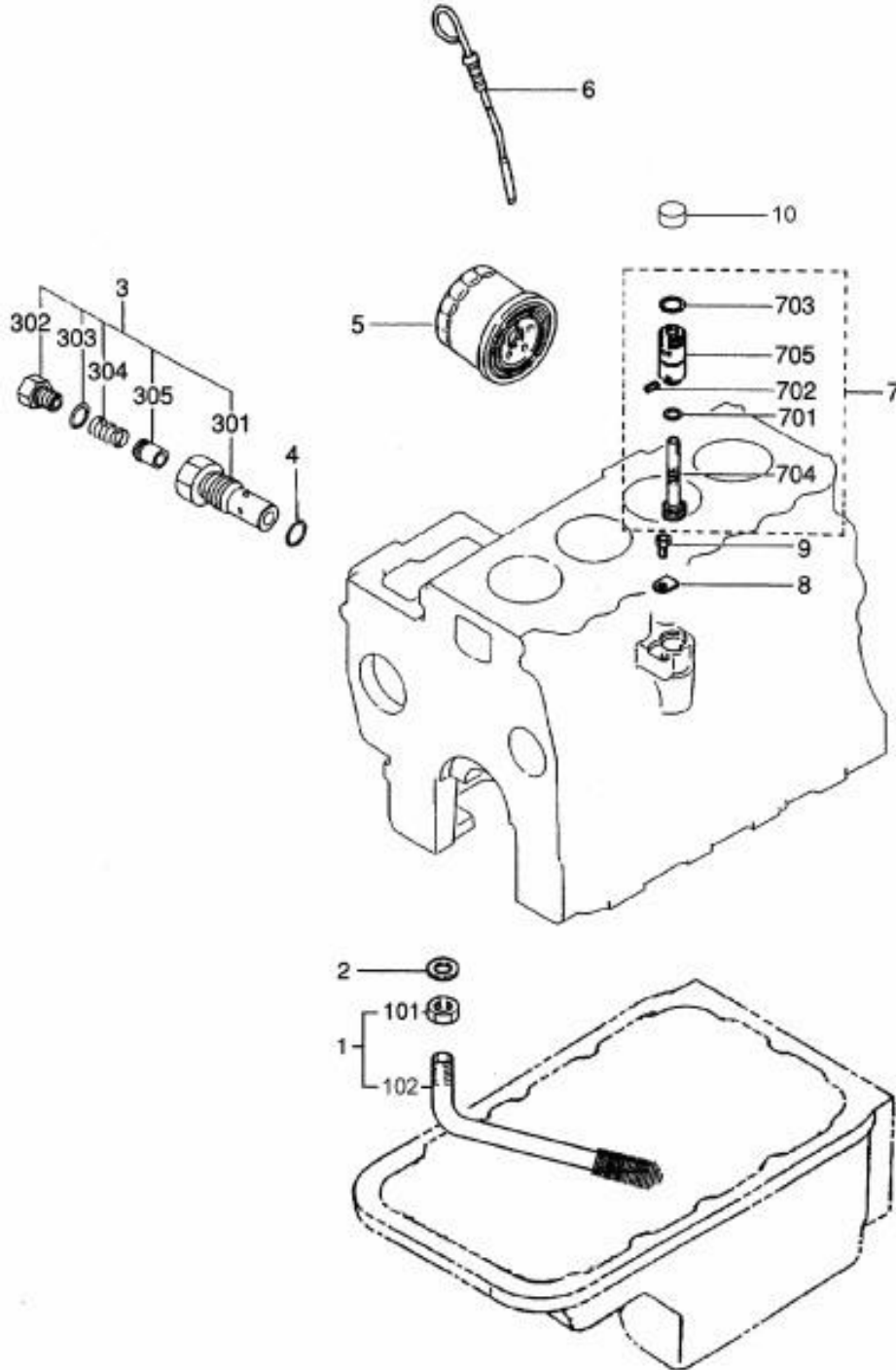
P1

Year / Month

2008 / 07



T303/353NH



NOTE

S4L(FOR 331),S4L2(FOR 335)

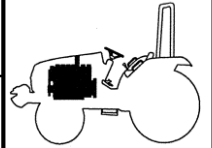
FIG 113

COOLING SYSTEM

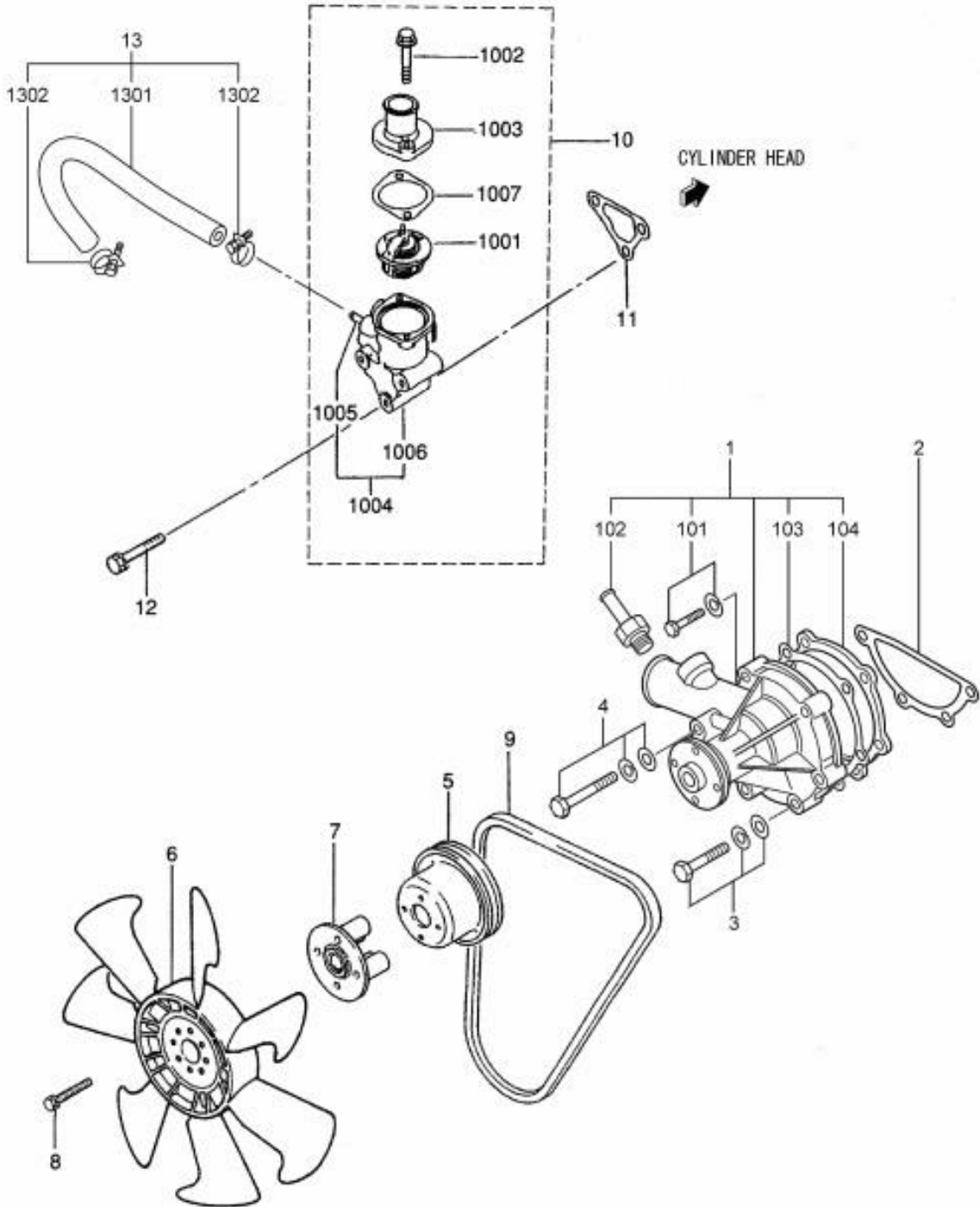
P1

Year / Month

2008 / 07



T303/353NH



NOTE

S4L(FOR 331),S4L2(FOR 335)

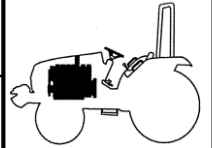
FIG 114

FUEL SYSTEM

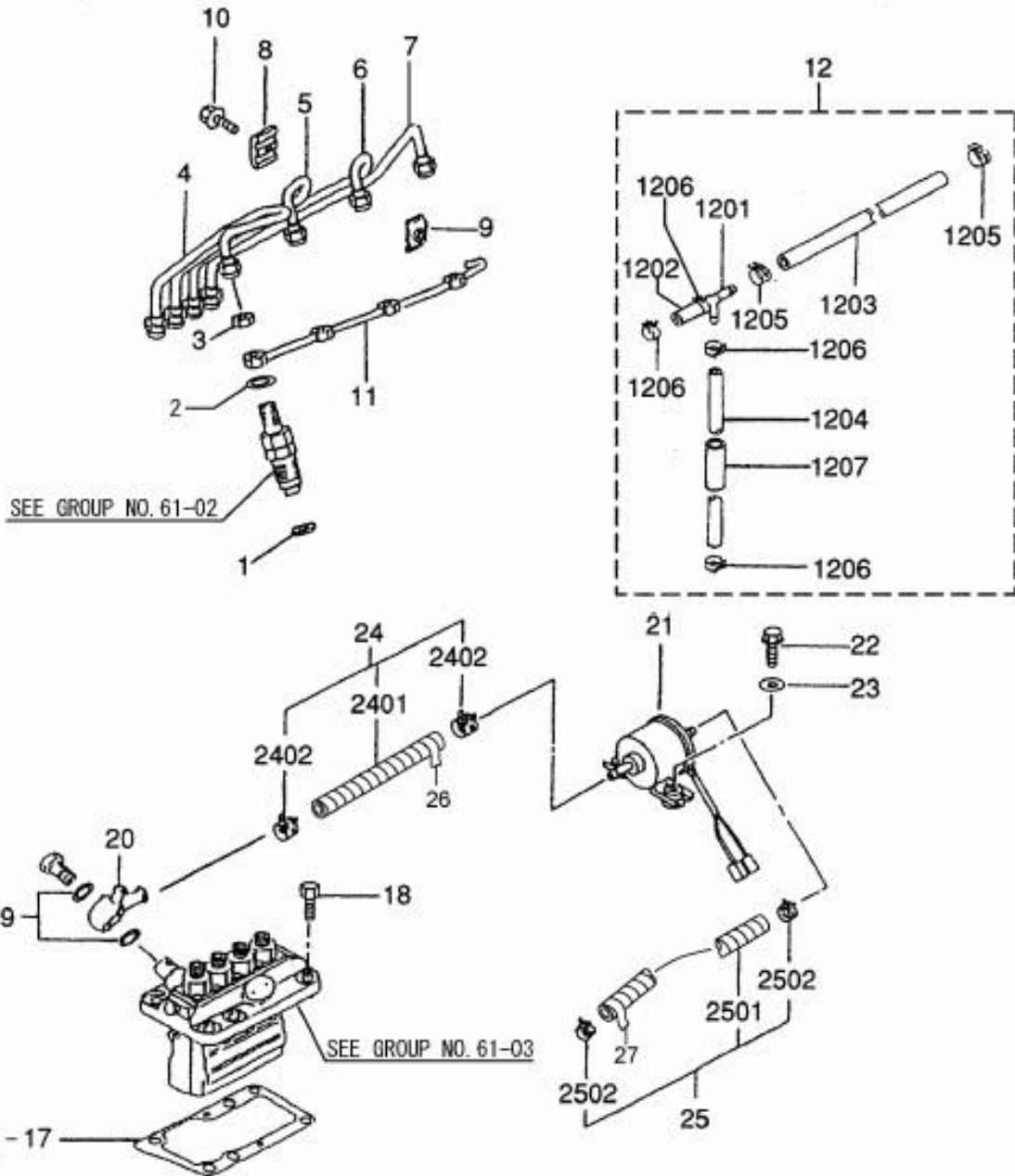
P1

Year / Month

2008 / 07



T303/353NH



NOTE

S4L(FOR 331),S4L2(FOR 335)

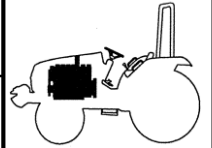
FIG 115

NOZZLE

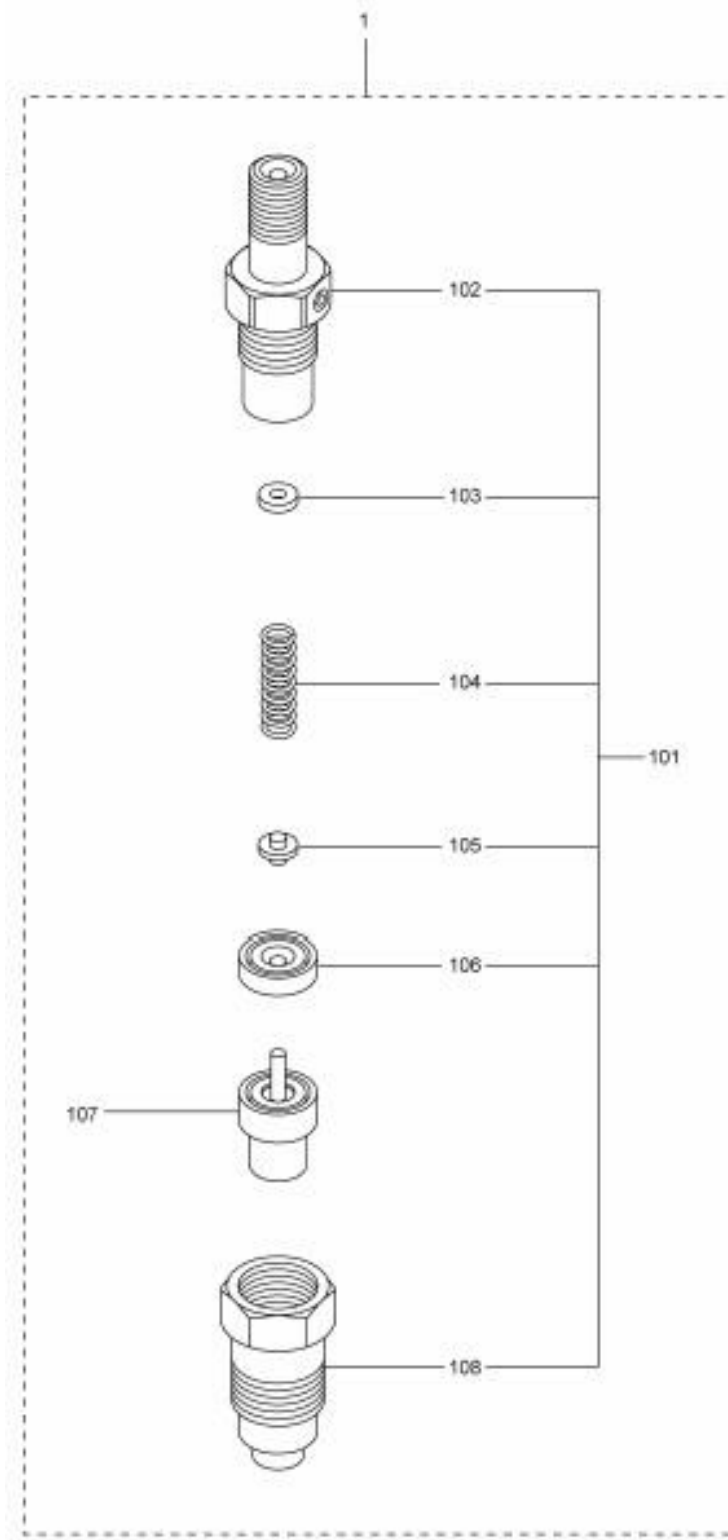
P1

Year / Month

2008 / 07



T303/353NH



NOTE

S4L(FOR 331),S4L2(FOR 335)

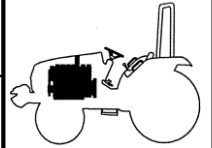
FIG 116

FUEL INJECTION PUMP

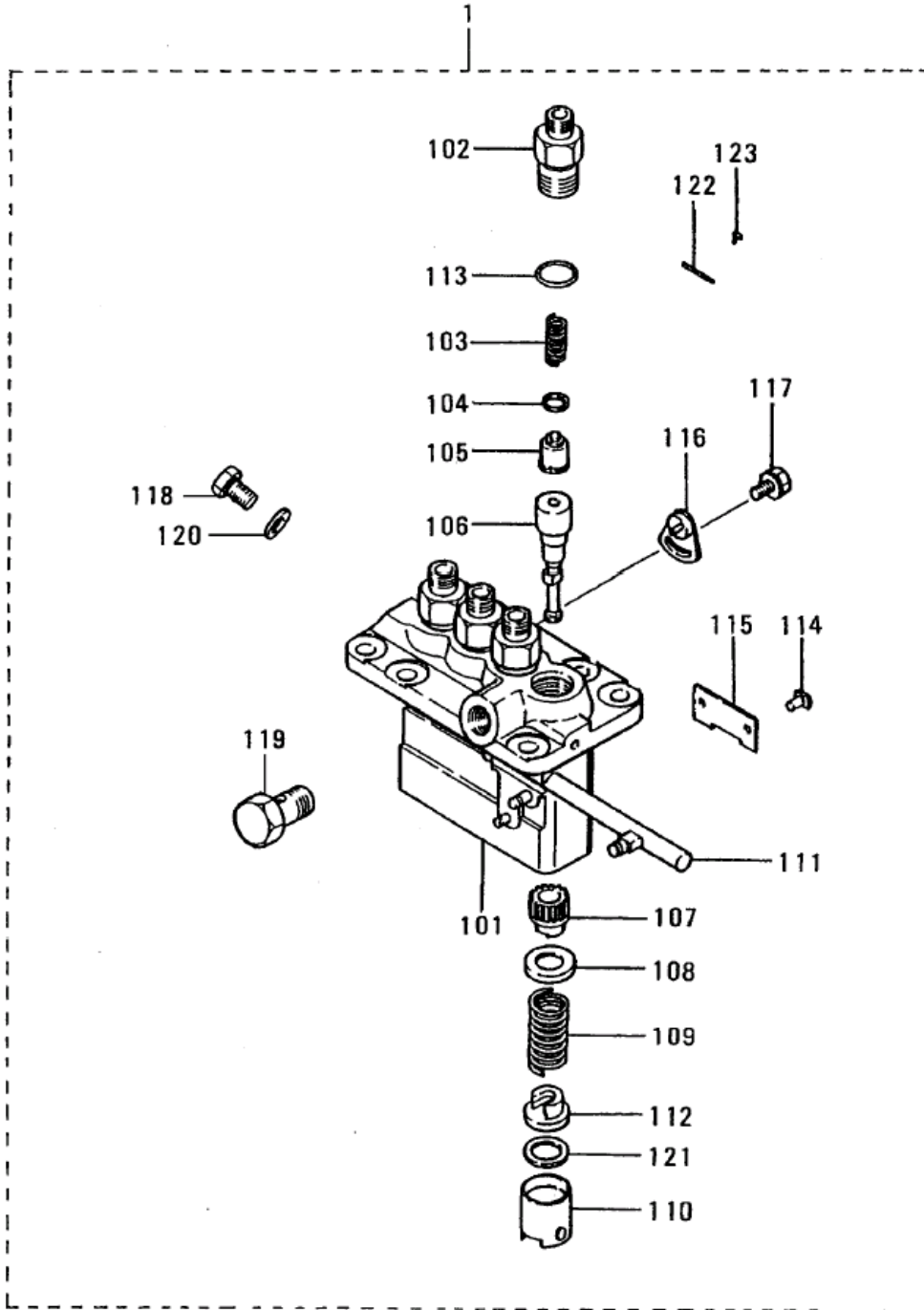
P1

Year / Month

2008 / 07



T303/353NH



NOTE

S4L(FOR 331),S4L2(FOR 335)



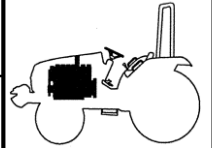
FIG 117

# FUEL FILTER

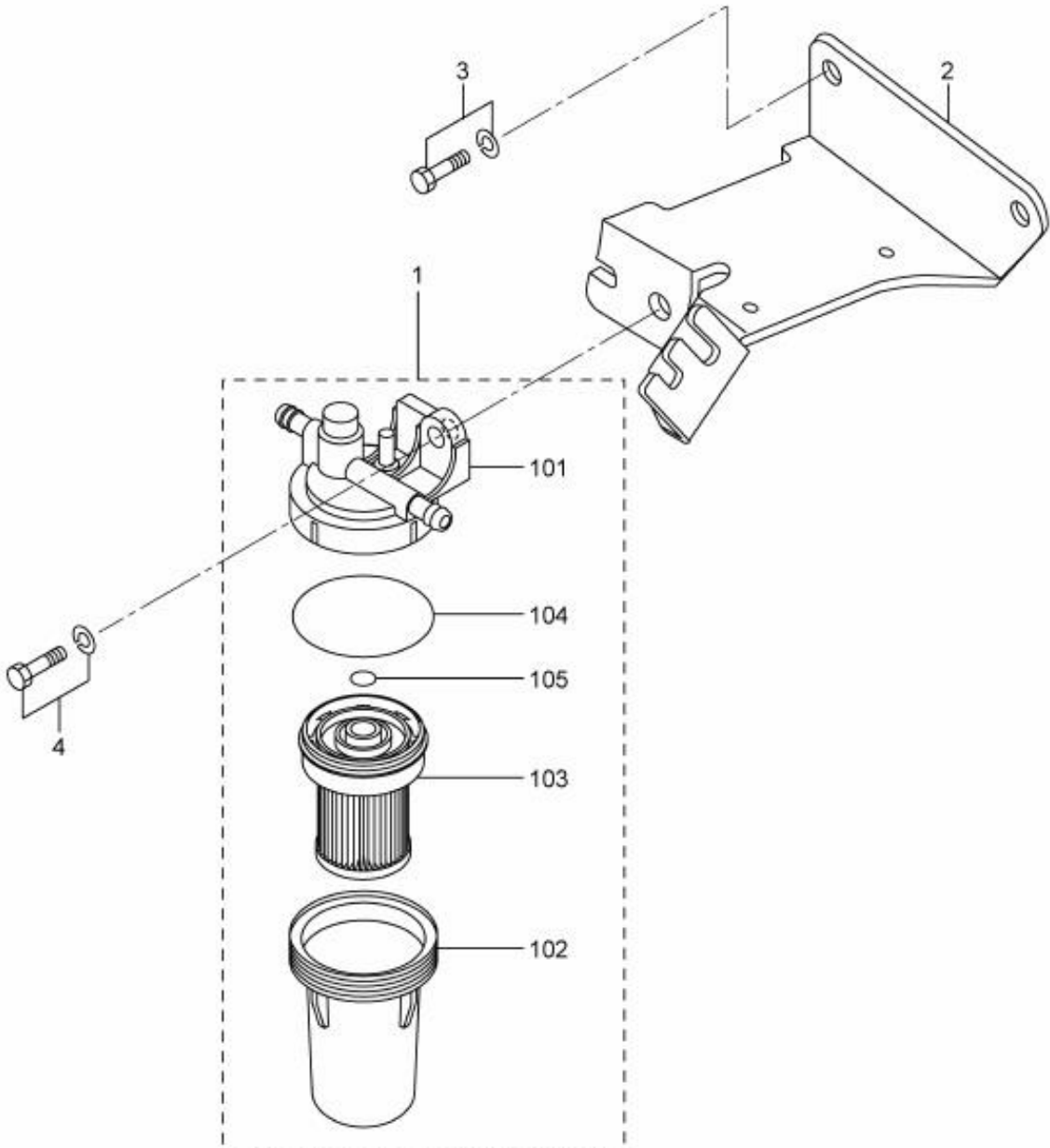
P1

Year / Month

2008 / 07



T303/353NH



NOTE

S4L(FOR 331),S4L2(FOR 335)

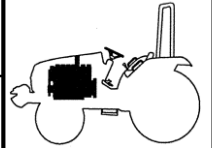
FIG 118

GOVERNOR

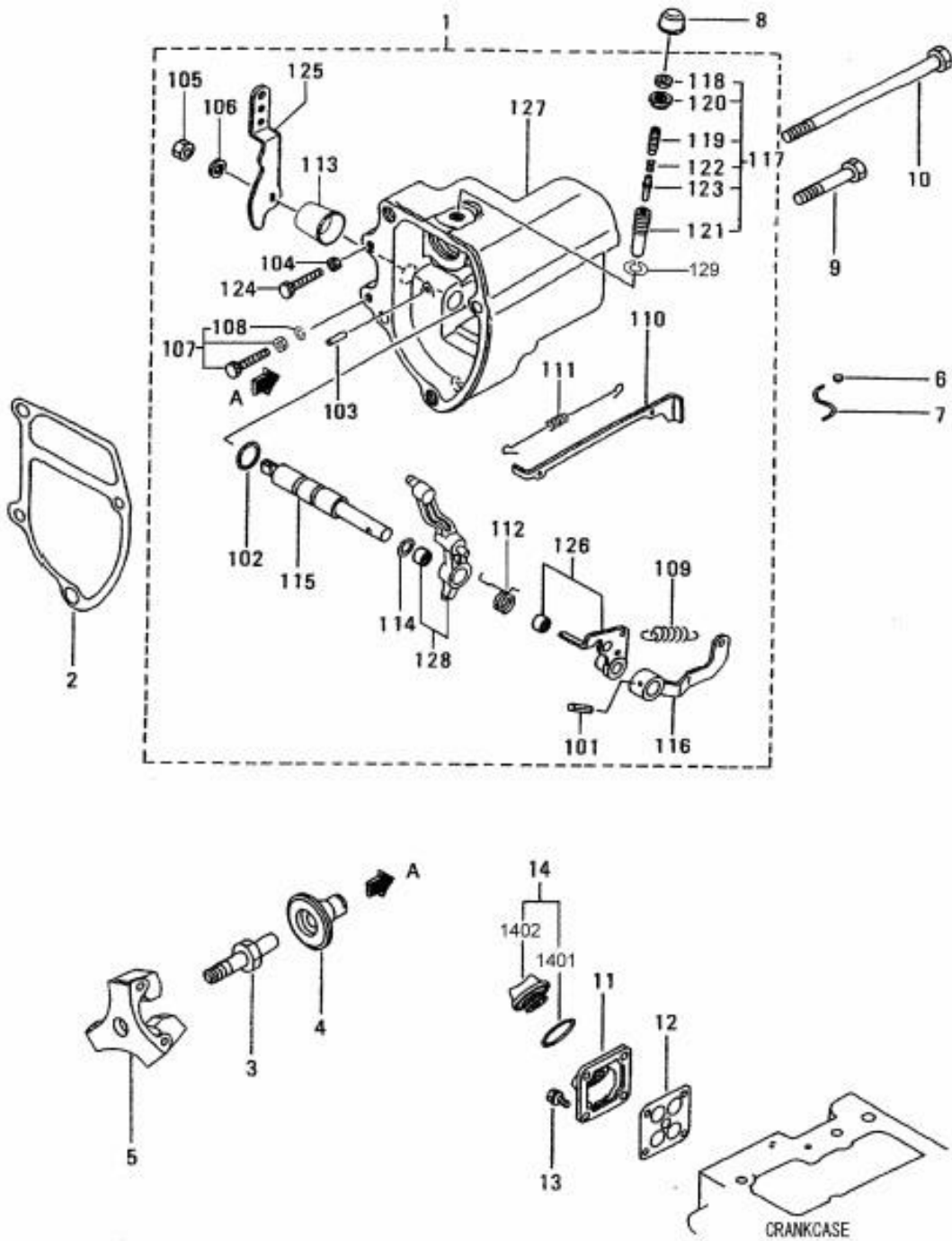
P1

Year / Month

2008 / 07



T303/353NH



NOTE

S4L(FOR 331),S4L2(FOR 335)

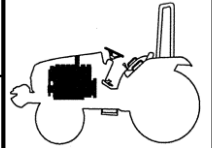
FIG 119

ELECTRIC PARTS

P1

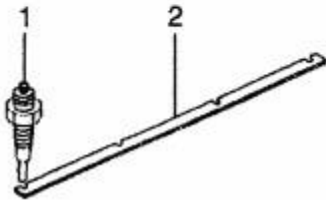
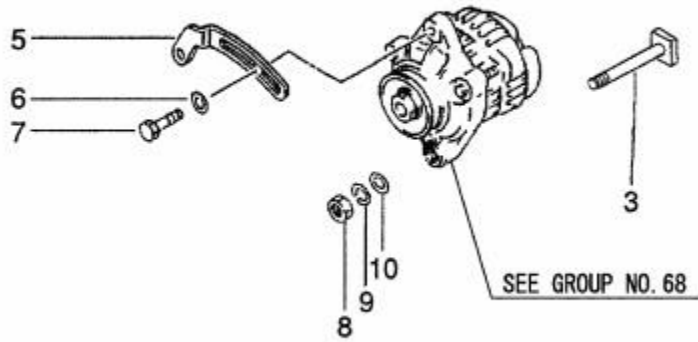
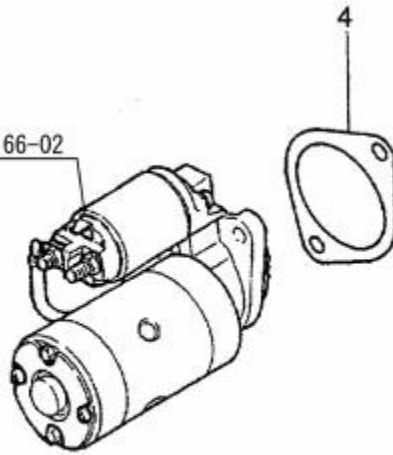
Year / Month

2008 / 07



T303/353NH

SEE GROUP NO. 66-02



NOTE

S4L(FOR 331),S4L2(FOR 335)

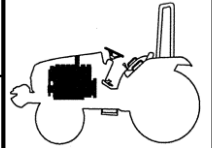
FIG 120

STARTER

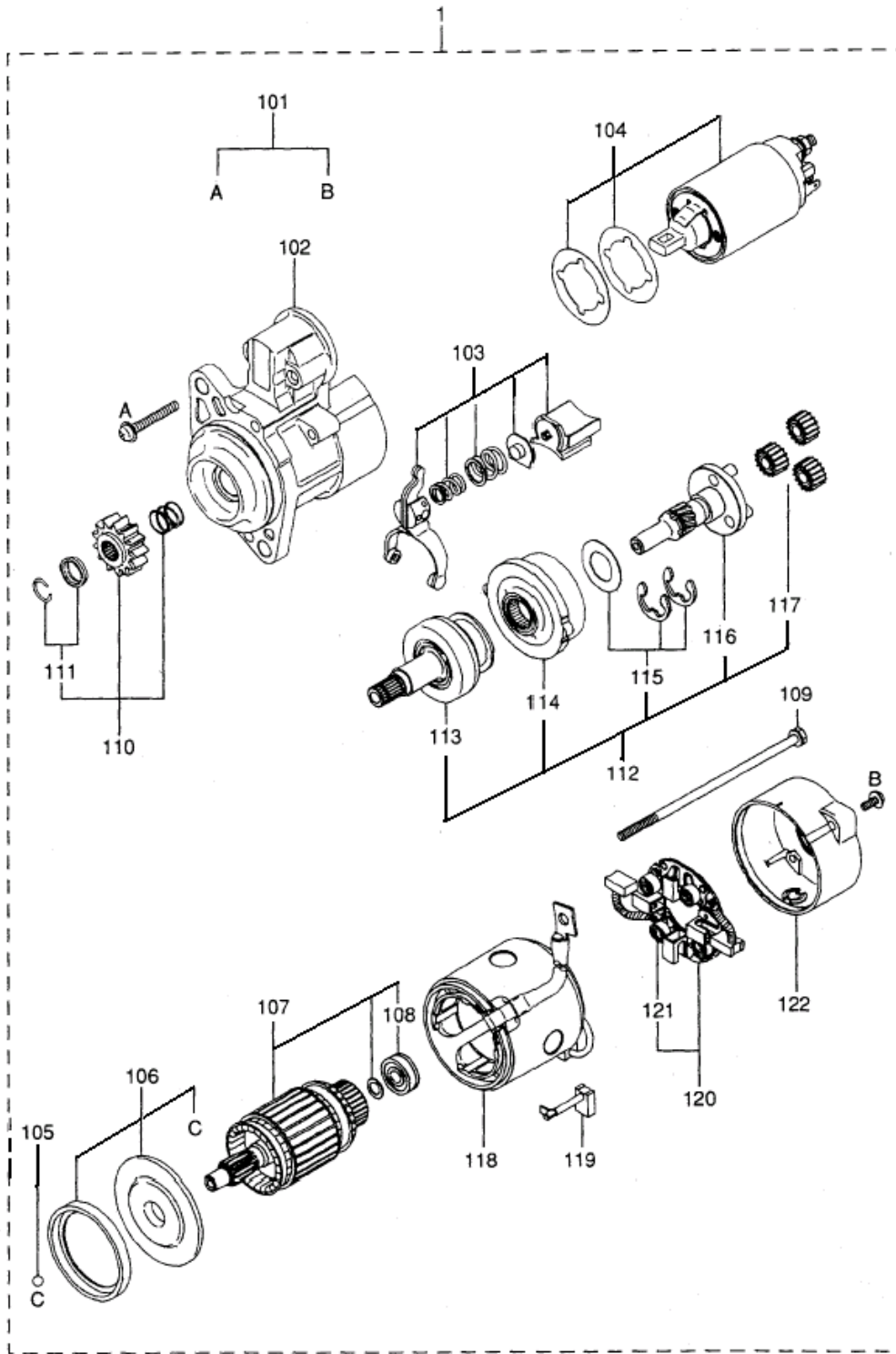
P1

Year / Month

2008 / 07



T303/353NH



NOTE S4L(FOR 331),S4L2(FOR 335)

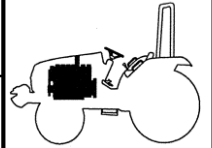
FIG 121

ALTERNATOR

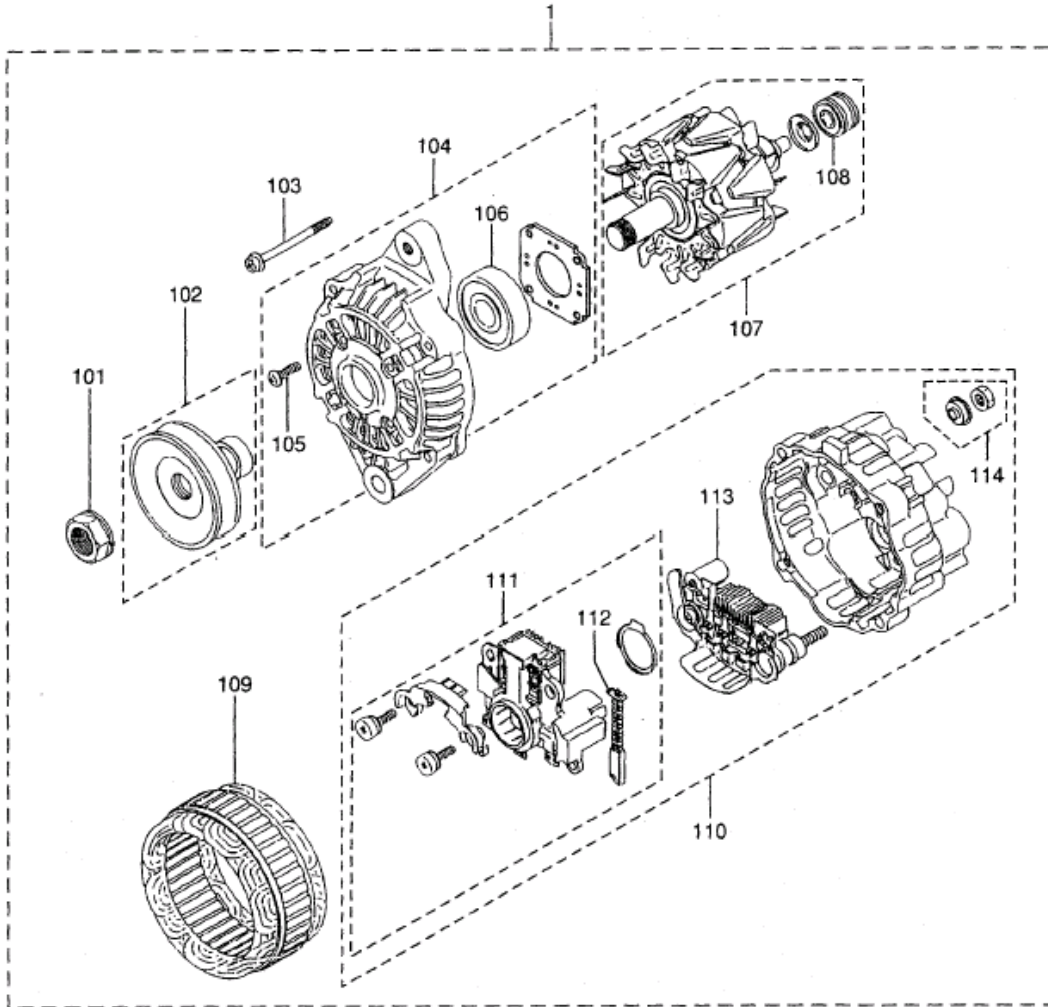
P1

Year / Month

2008 / 07



T303/353NH



NOTE

S4L(FOR 331),S4L2(FOR 335)

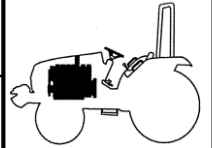
FIG 122

CONTROL SYSTEM

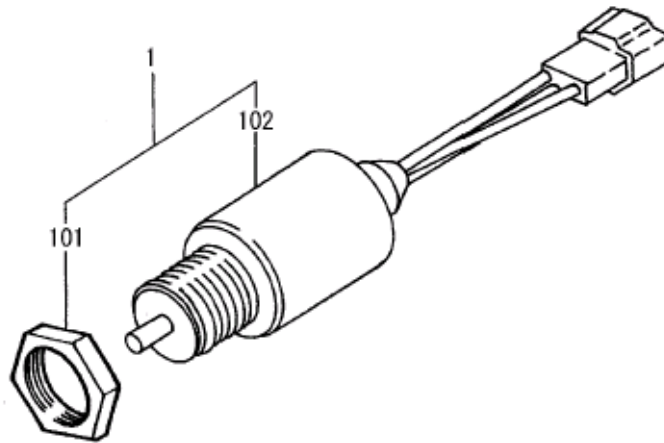
P1

Year / Month

2008 / 07



T303/353NH



NOTE

S4L(FOR 331),S4L2(FOR 335)

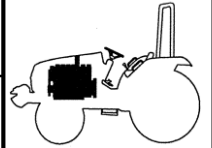
FIG 123

INSTRUMENT

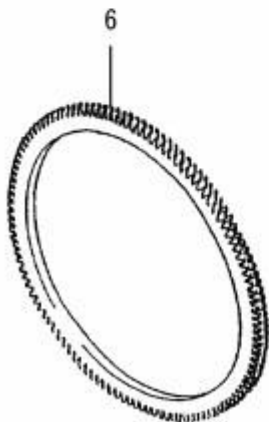
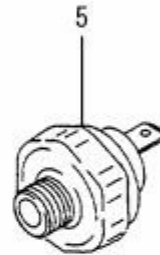
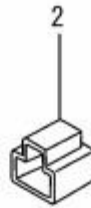
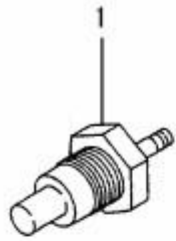
P1

Year / Month

2008 / 07



T303/353NH



NOTE

S4L(FOR 331),S4L2(FOR 335)

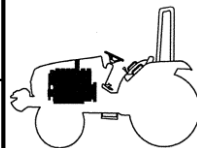
FIG 124

OVERHAUL GASKET KIT

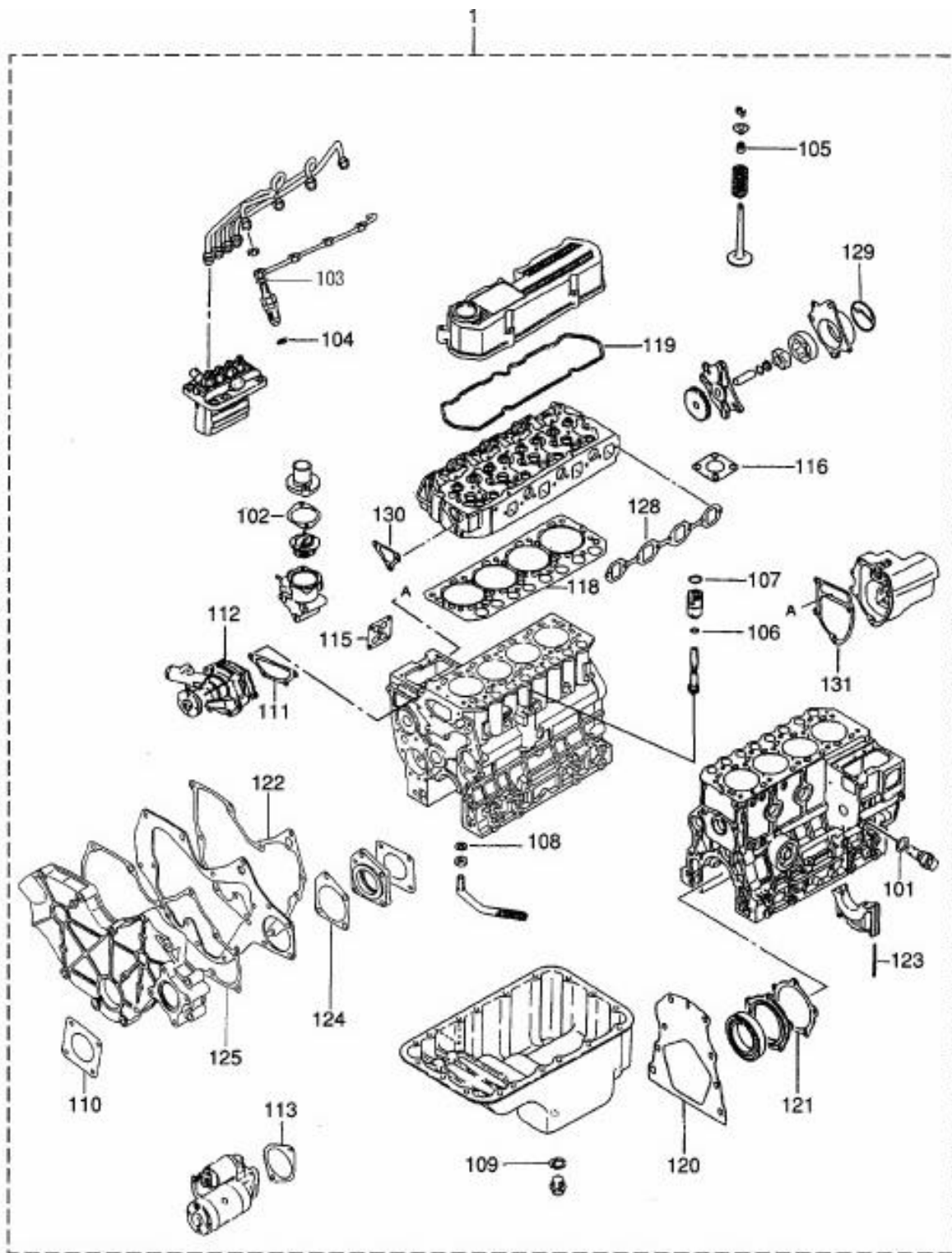
P1

Year / Month

2008 / 07



T303/353NH



NOTE

S4L(FOR 331),S4L2(FOR 335)