

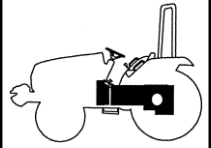
FIG 401

FRONT TRANSMISSION CASE

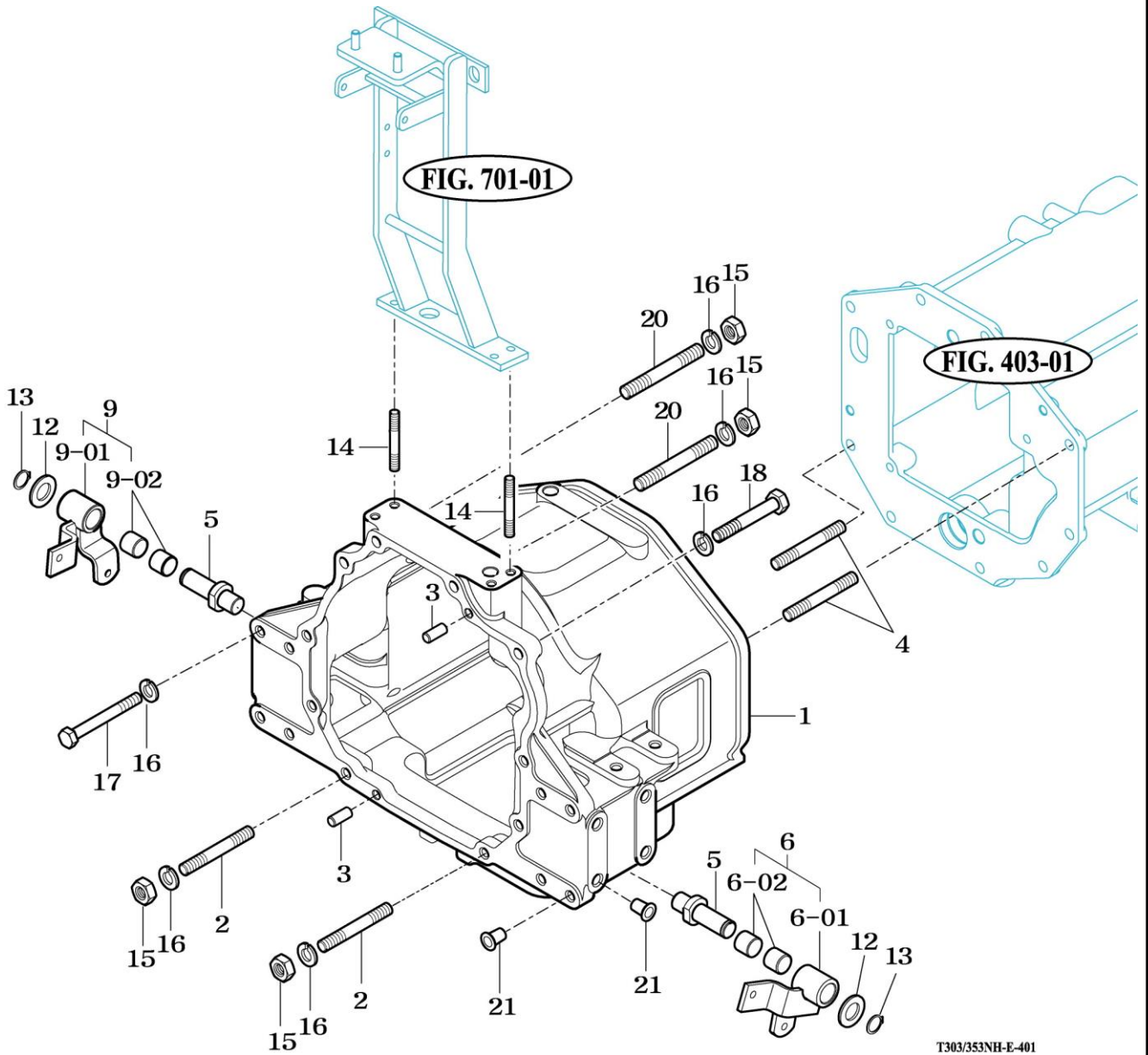
P1

Year / Month

2008 / 07



T303/353NH



T303/353NH-E-401

NOTE

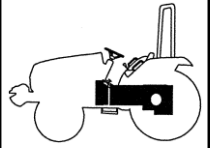
FIG 402

HST

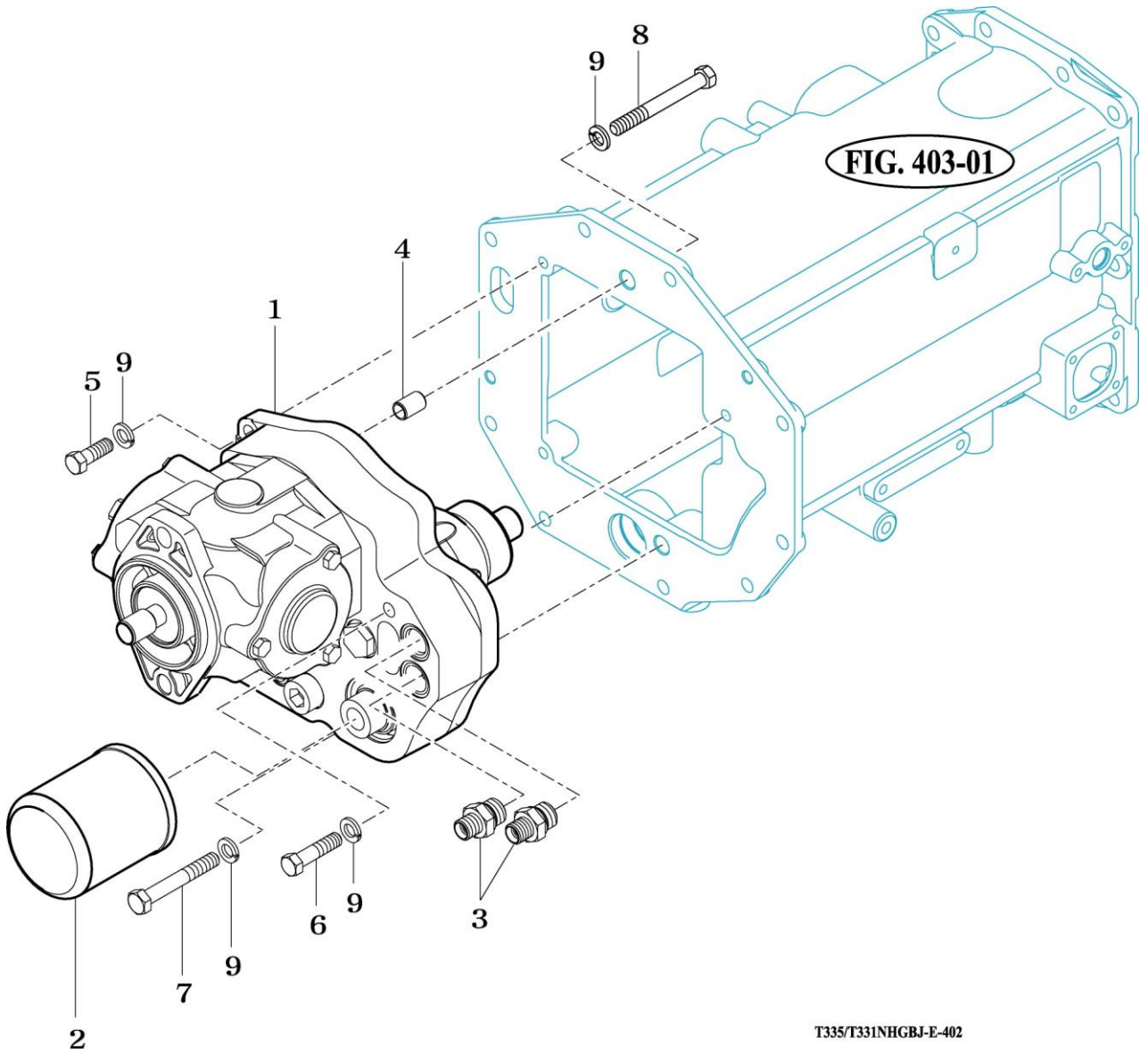
P1

Year / Month

2008 / 07



T303/353NH



NOTE

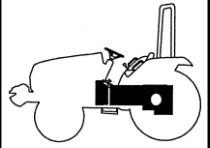
FIG 403

MID TRANSMISSION CASE

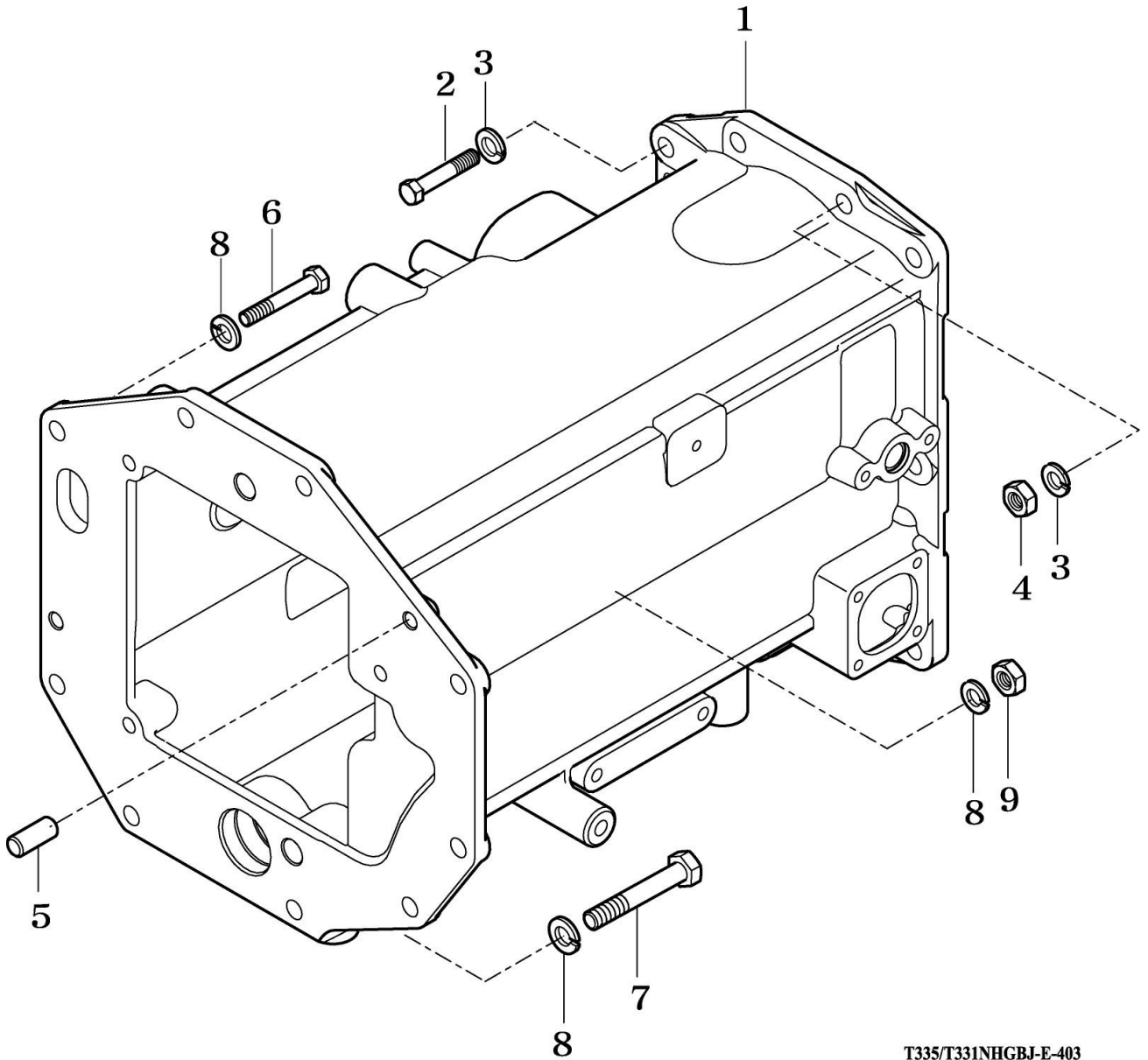
P1

Year / Month

2008 / 07



T303/353NH



T335/T331NHGBJ-E-403

NOTE

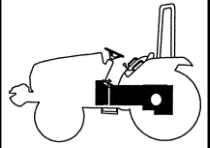
FIG 404

REVERSE GEARS

P1

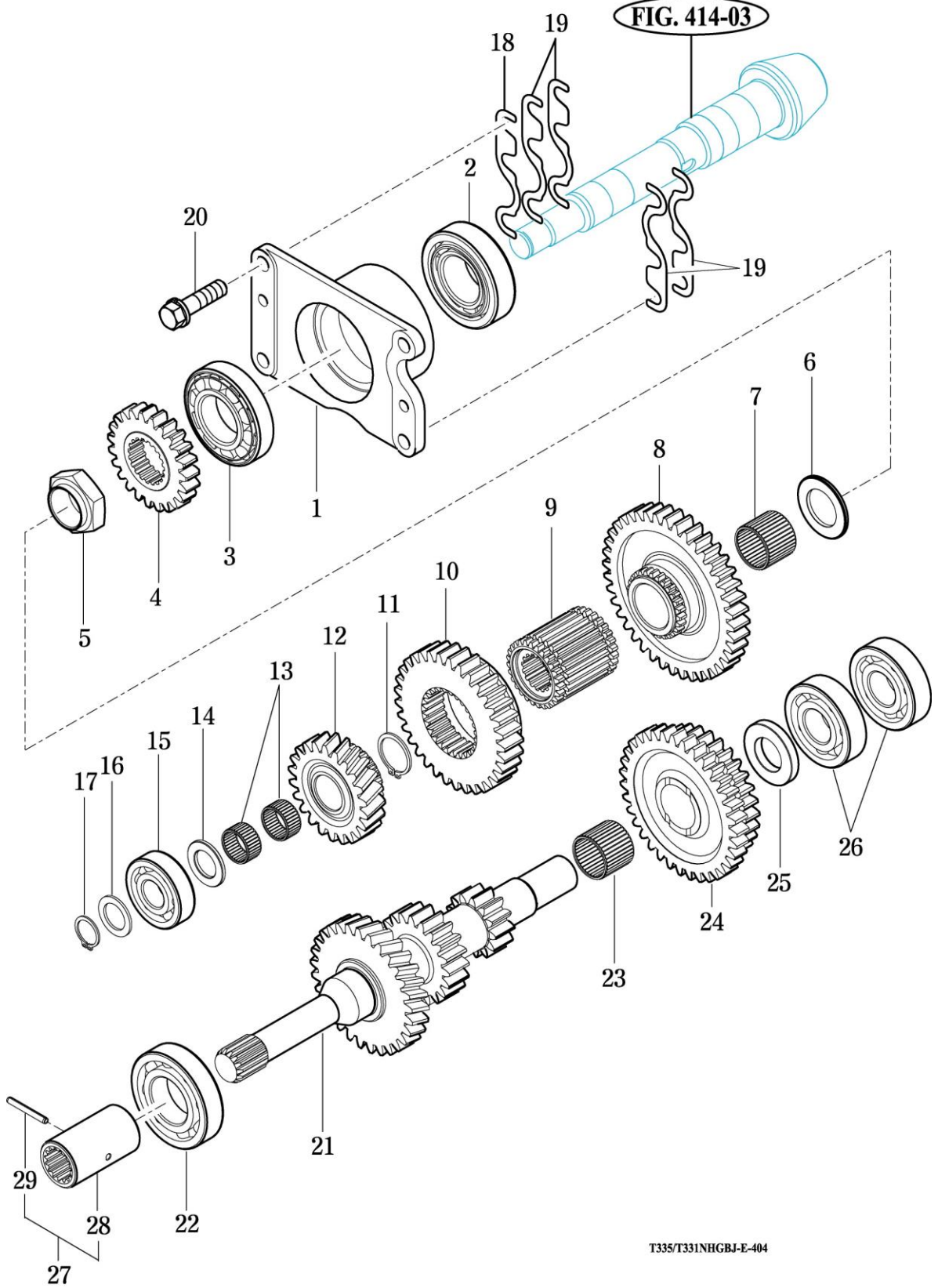
Year / Month

2008 / 07



T303/353NH

FIG. 414-03



T335/T331NHGBJ-E-404

NOTE

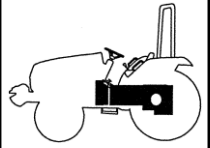
FIG 405

REVERSE SHIFTER

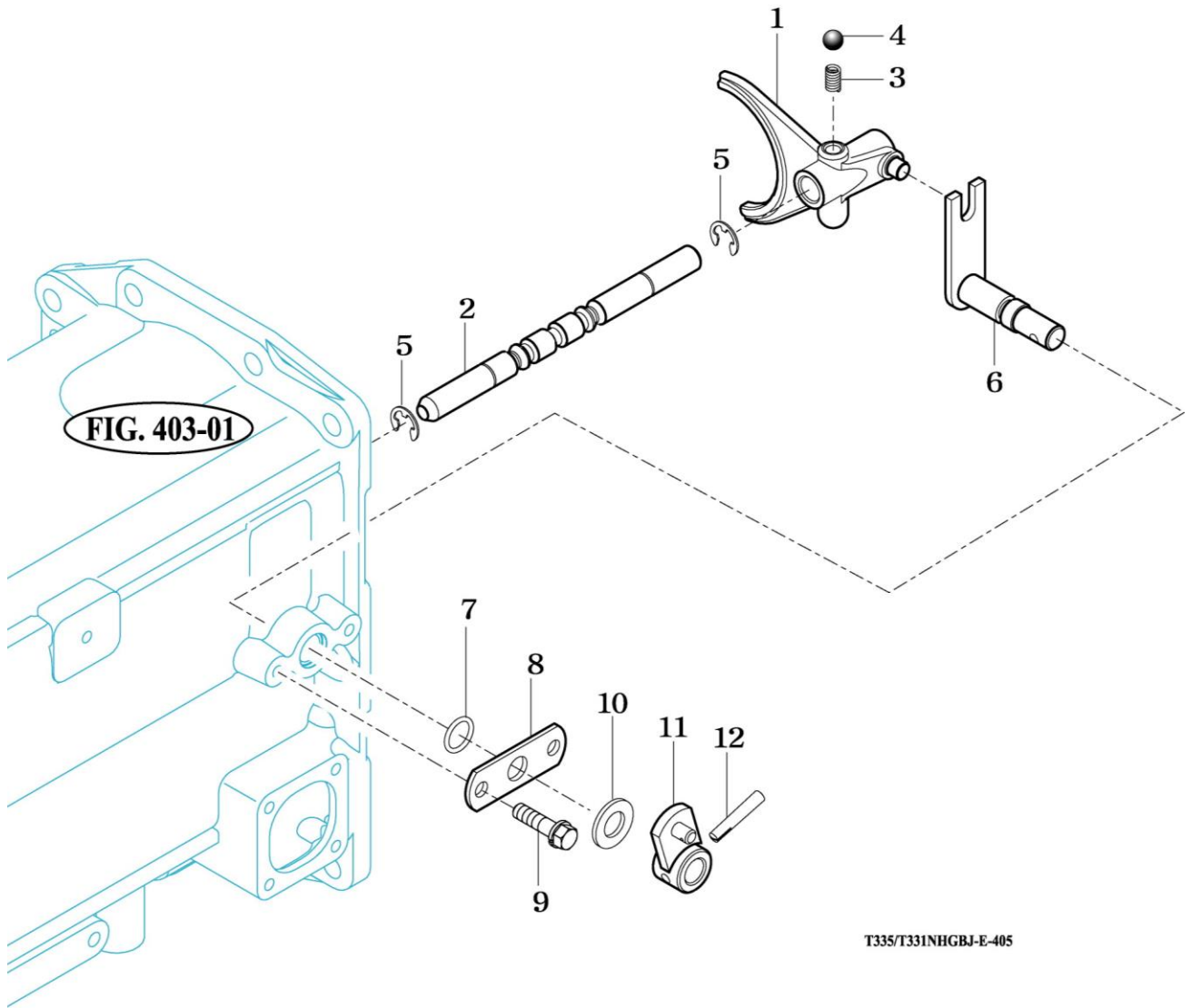
P1

Year / Month

2008 / 07



T303/353NH



NOTE

FIG 406

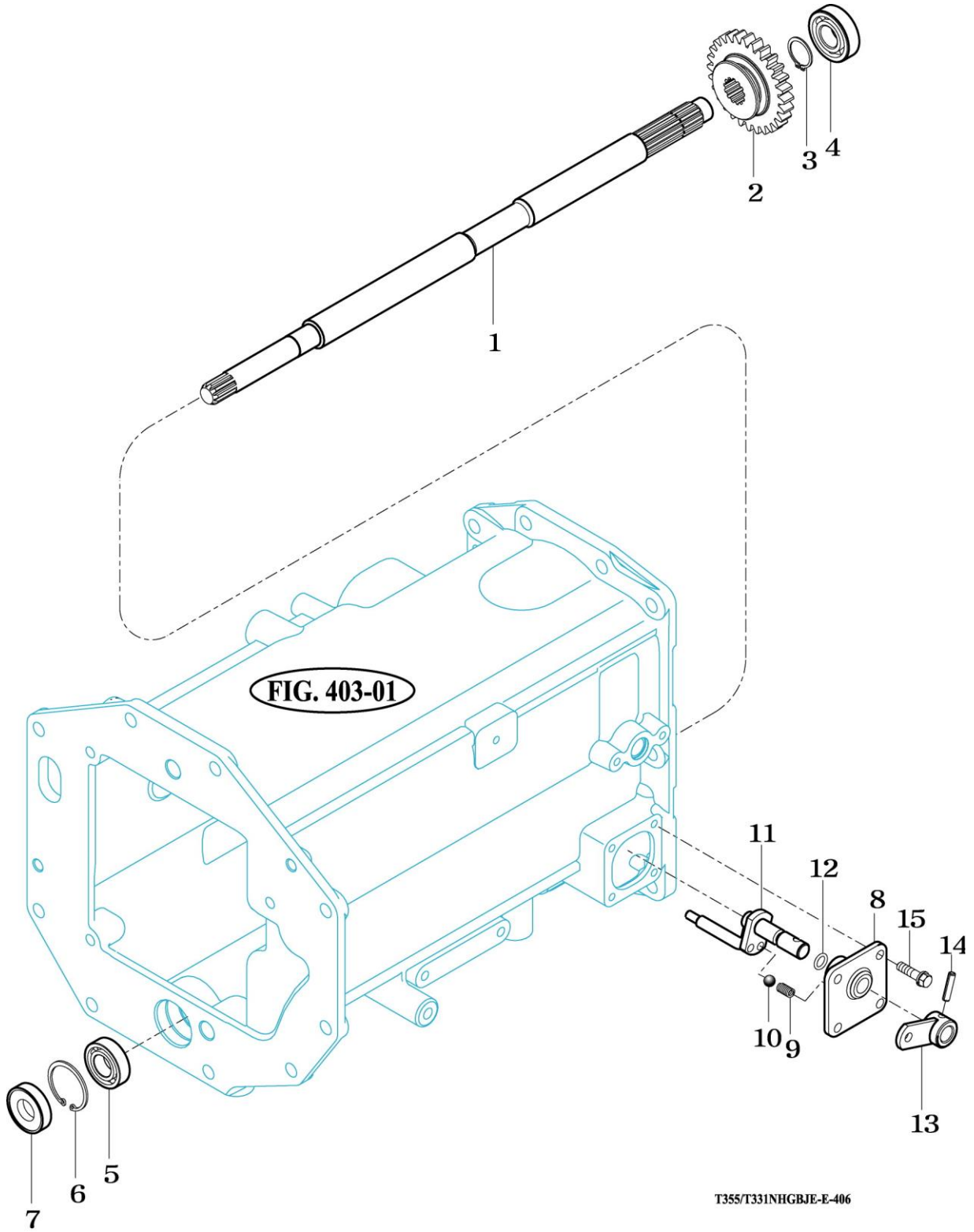
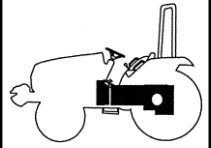
4WD GEAR & SHIFT LINKAGE

T303/353NH

P1

Year / Month

2008 / 07



T355/T331NHGBJE-E-406

NOTE

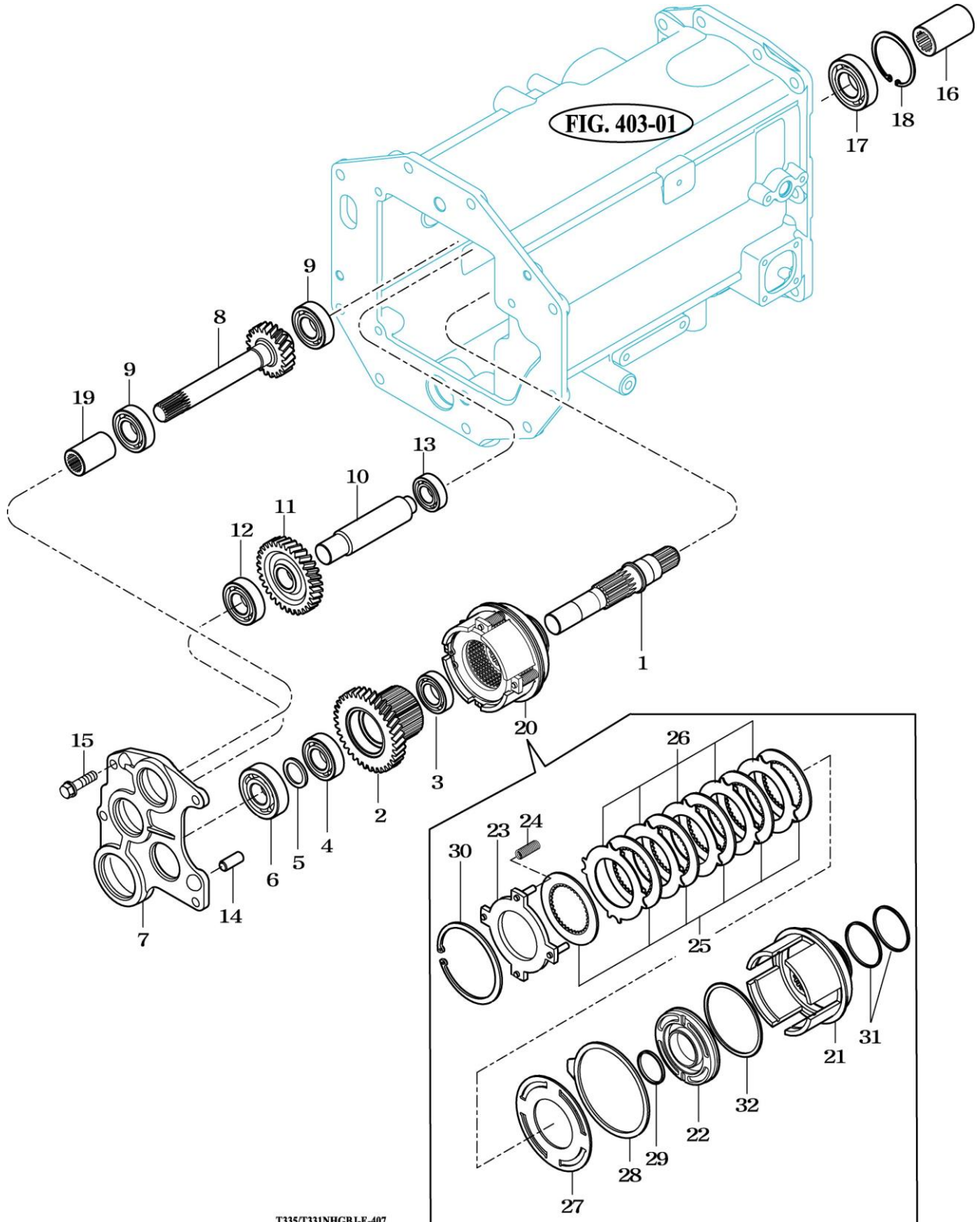
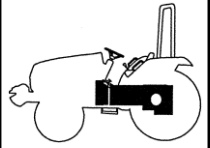
FIG 407

P.T.O CLUTCH

P1

Year / Month

2008 / 07



T335/T331NHGBJ-E-407

NOTE

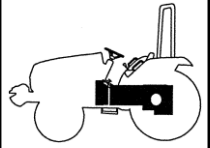
FIG 408

MID P.T.O LEVER & SAFETY STOPPER

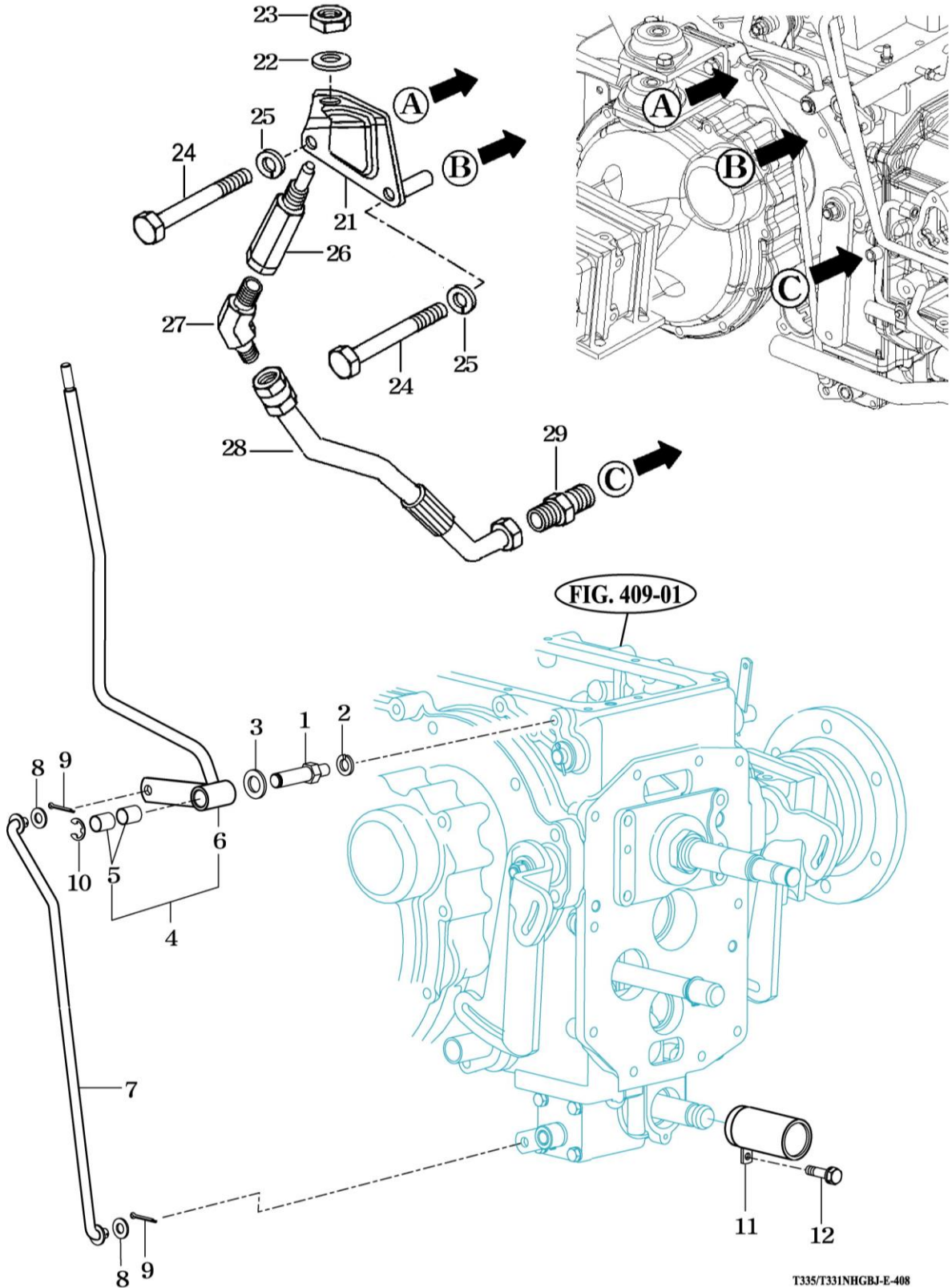
P1

Year / Month

2008 / 07



T303/353NH



T335/T331NHGBJ-E-408

NOTE

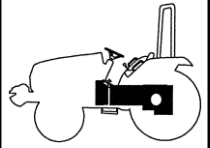
FIG 409

REAR TRANSMISSION CASE

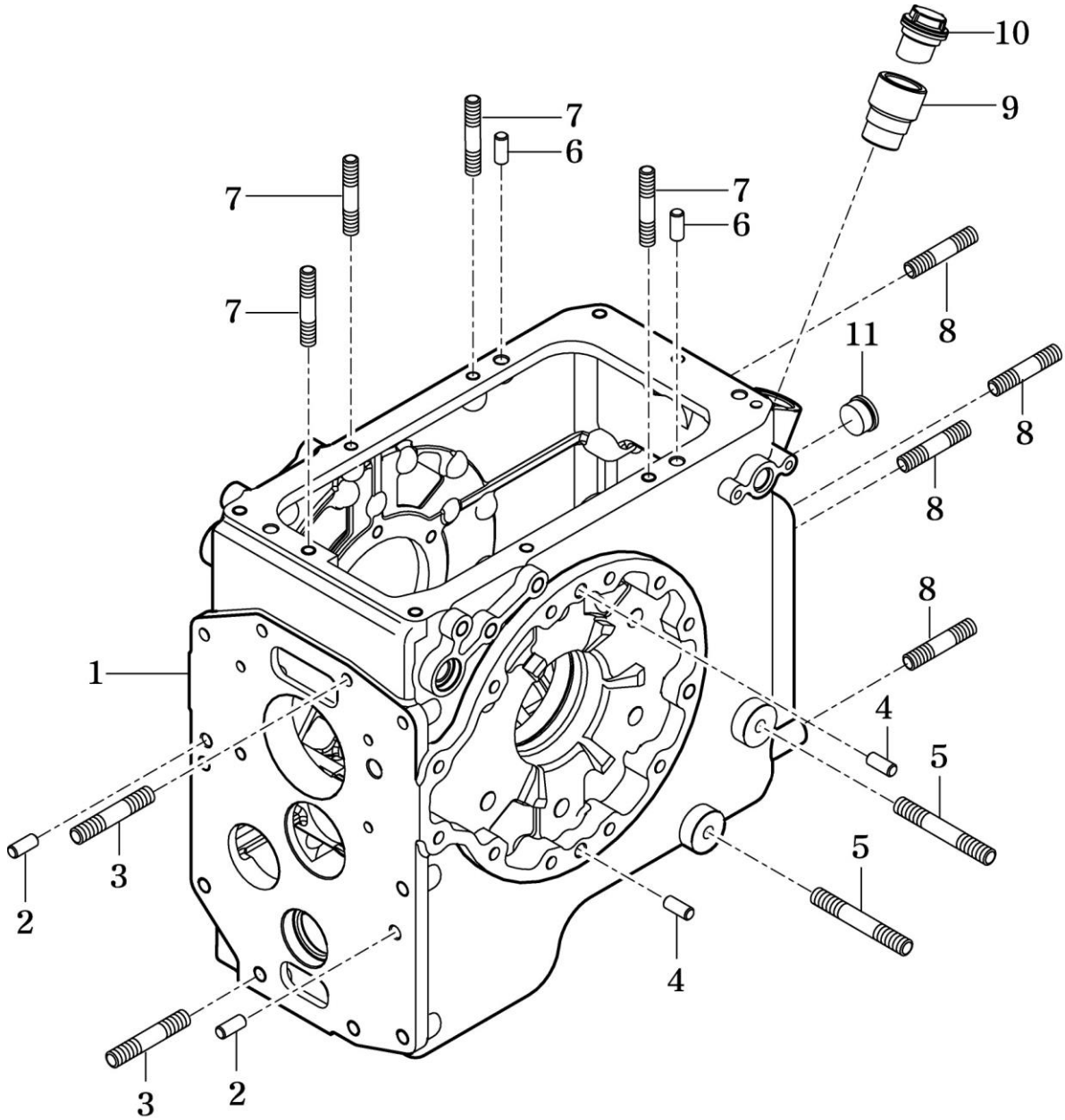
P1

Year / Month

2008 / 07



T303/353NH



T335/T331NHGBJ-E-409

NOTE

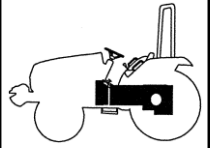
FIG 410

4WD SHIFT LEVER & LINKAGE

P1

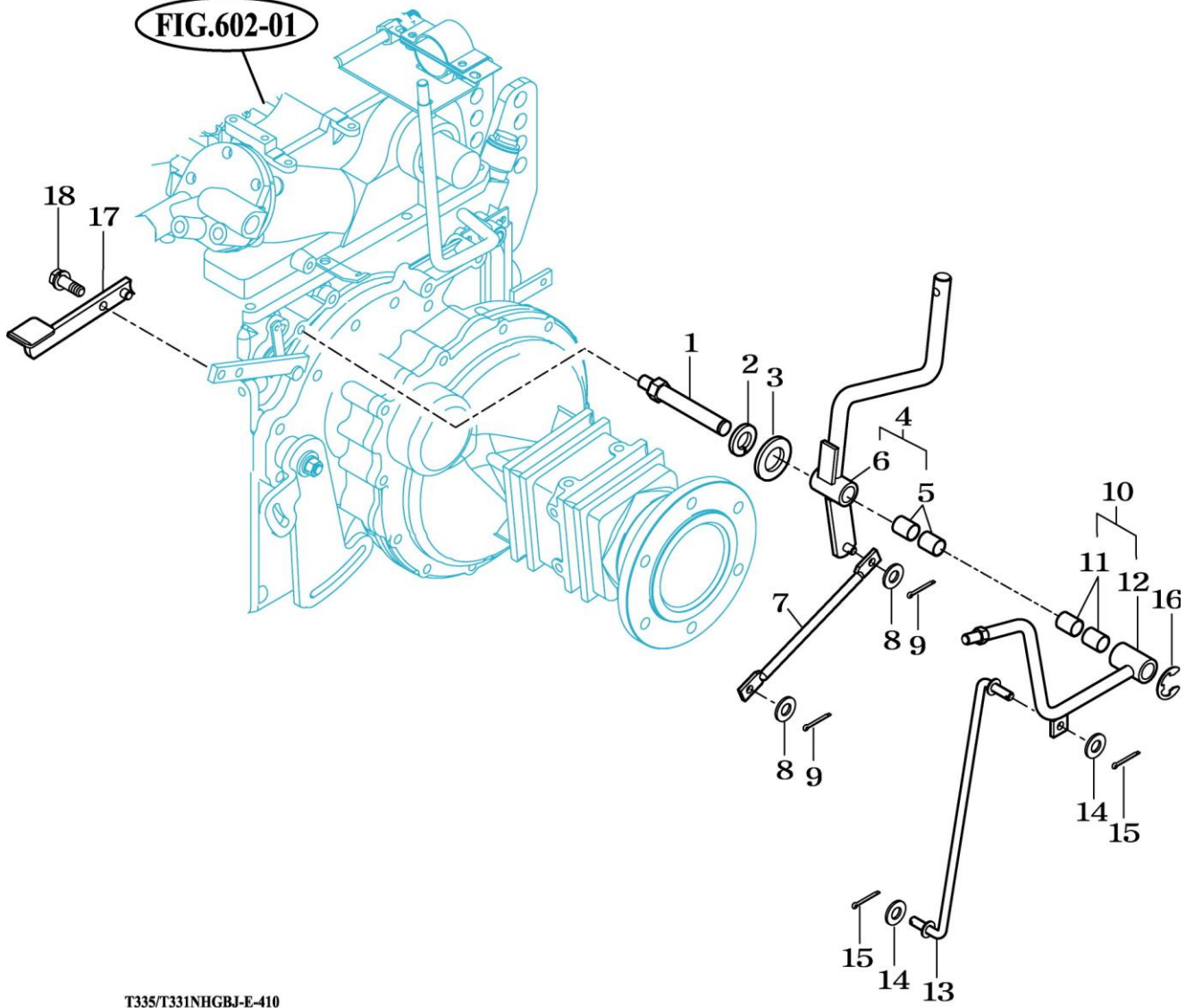
Year / Month

2008 / 07



T303/353NH

FIG.602-01



T335/T331NHGBJ-E-410

NOTE

FIG 411

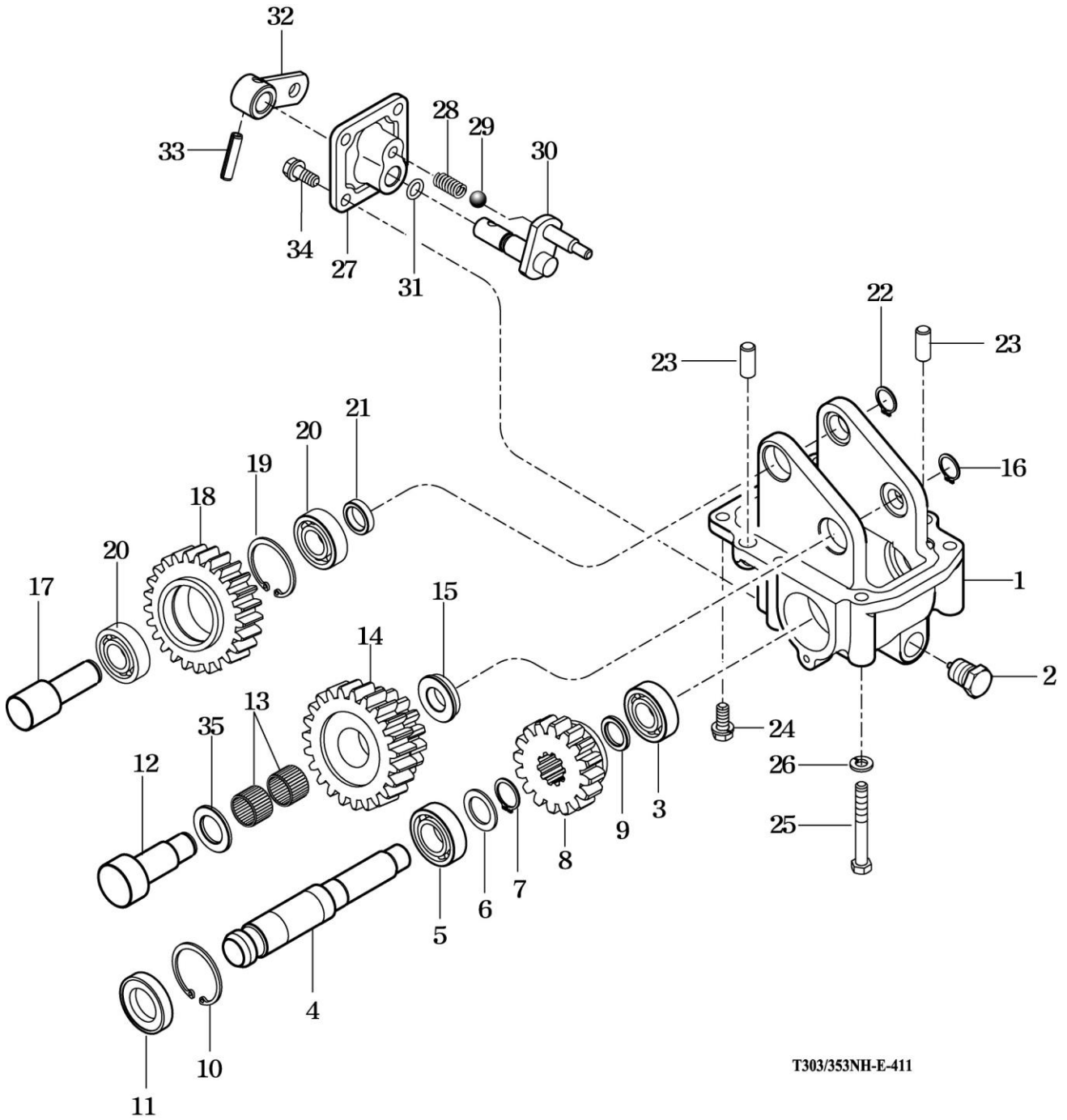
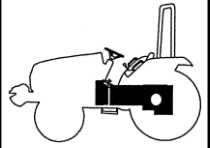
MID P.T.O SPEED GEARS & SHIFTER

T303/353NH

P1

Year / Month

2008 / 07



T303/353NH-E-411

NOTE

FIG 412

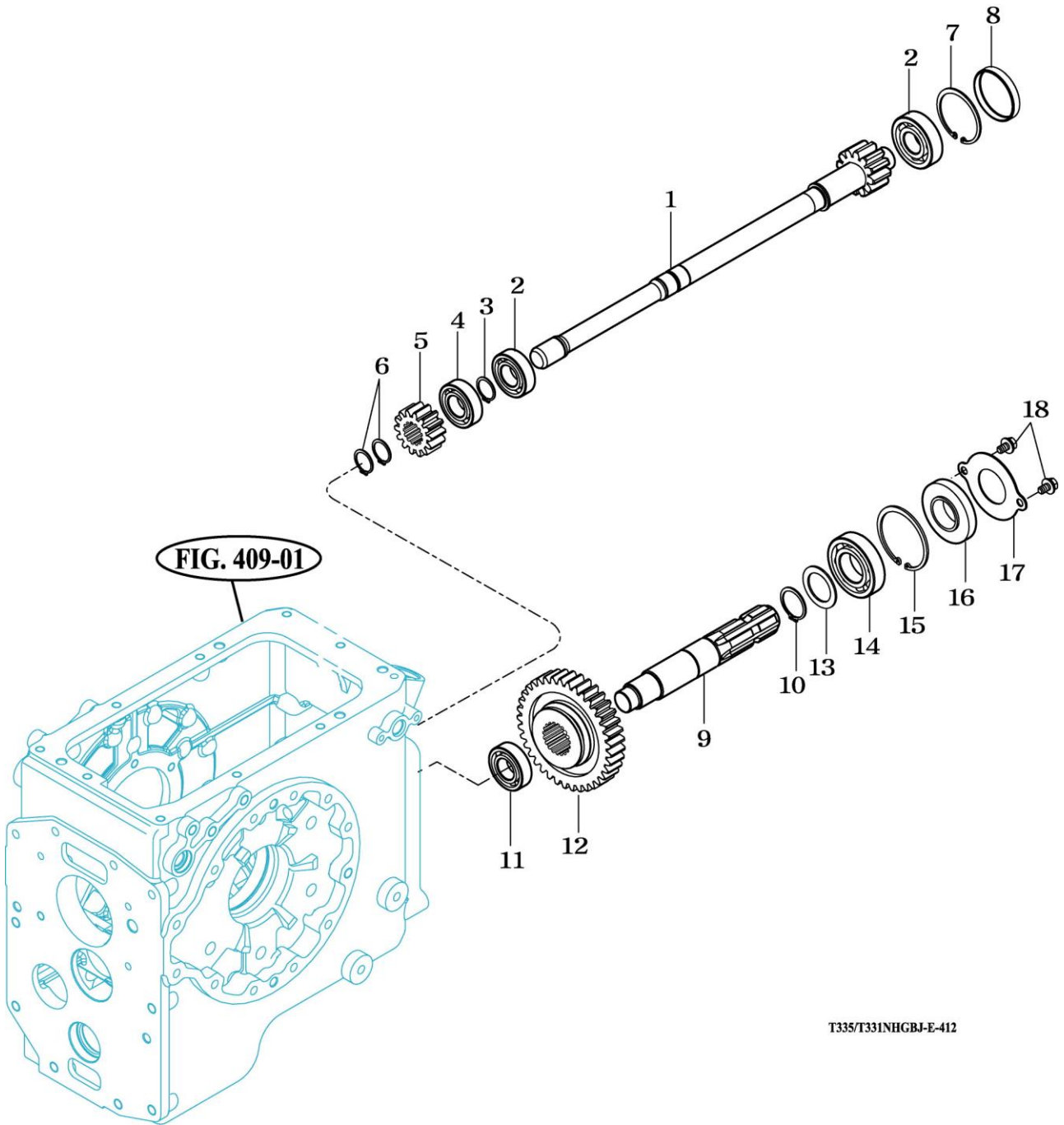
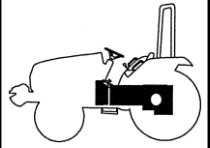
REAR P.T.O SPEED GEARS

T303/353NH

P1

Year / Month

2008 / 07



T335/T331NHGBJ-E-412

NOTE

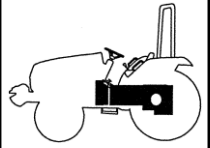
FIG 413

REAR P.T.O SPEED SHIFTER

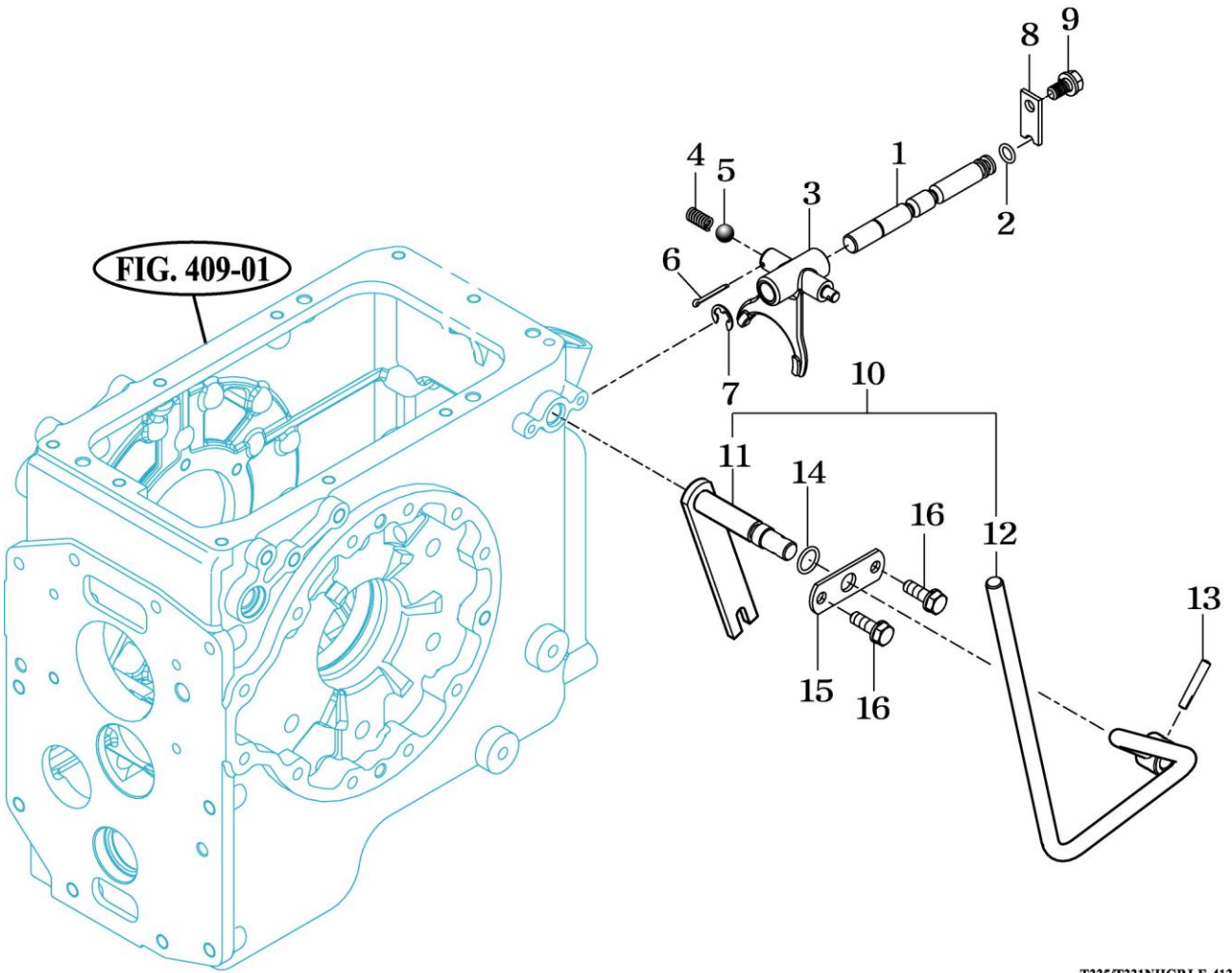
P1

Year / Month

2008 / 07



T303/353NH



T335/T331NHGBJ-E-413

NOTE

FIG 414

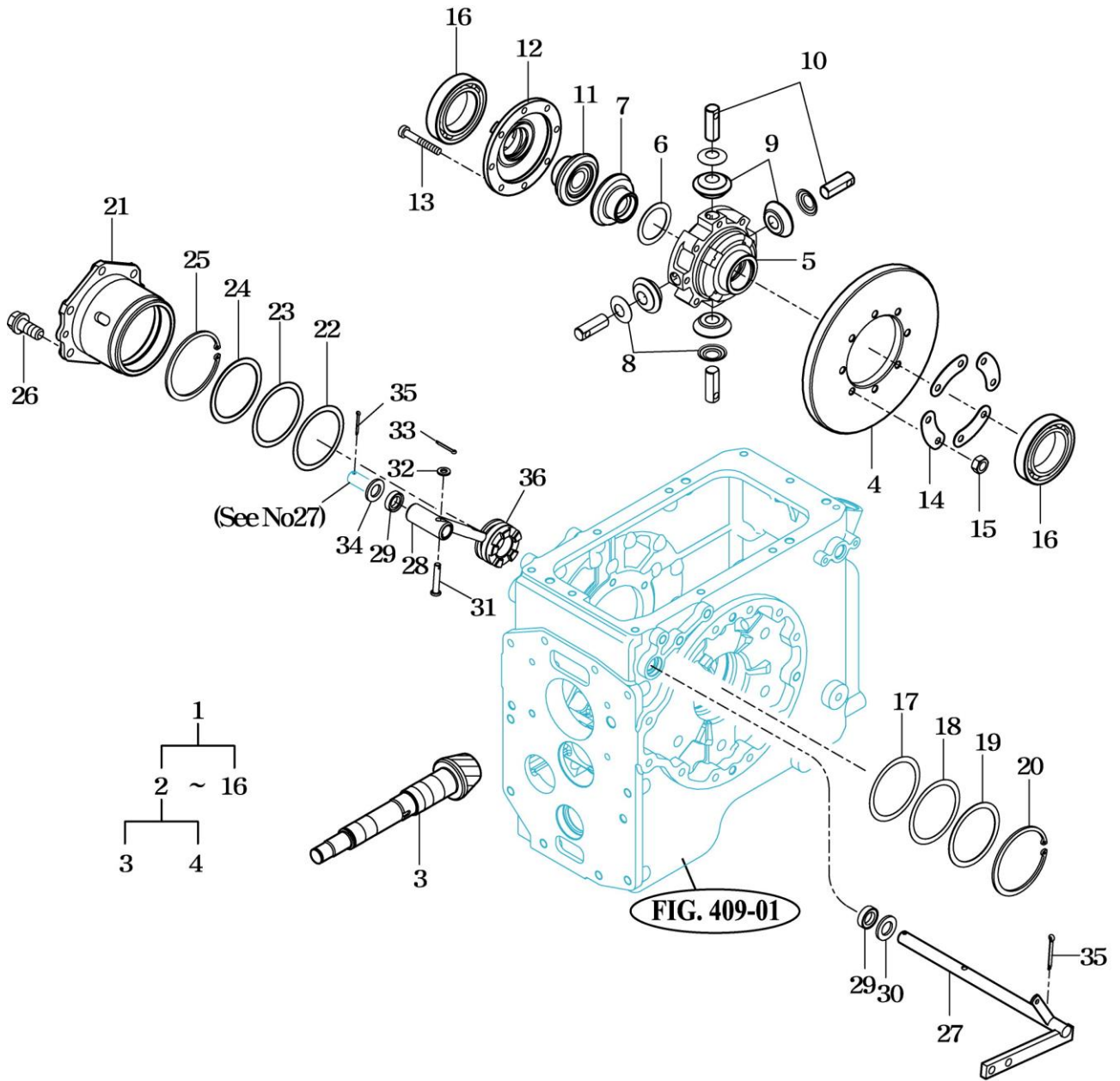
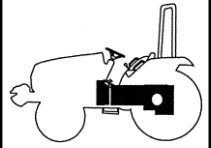
REAR DIFFERENTIAL GEARS & LOCK

T303/353NH

P1

Year / Month

2008 / 07



T335/T331NHGBJ-E-414

NOTE

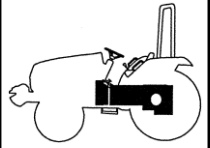
FIG 415

REAR AXLE HOUSINGS

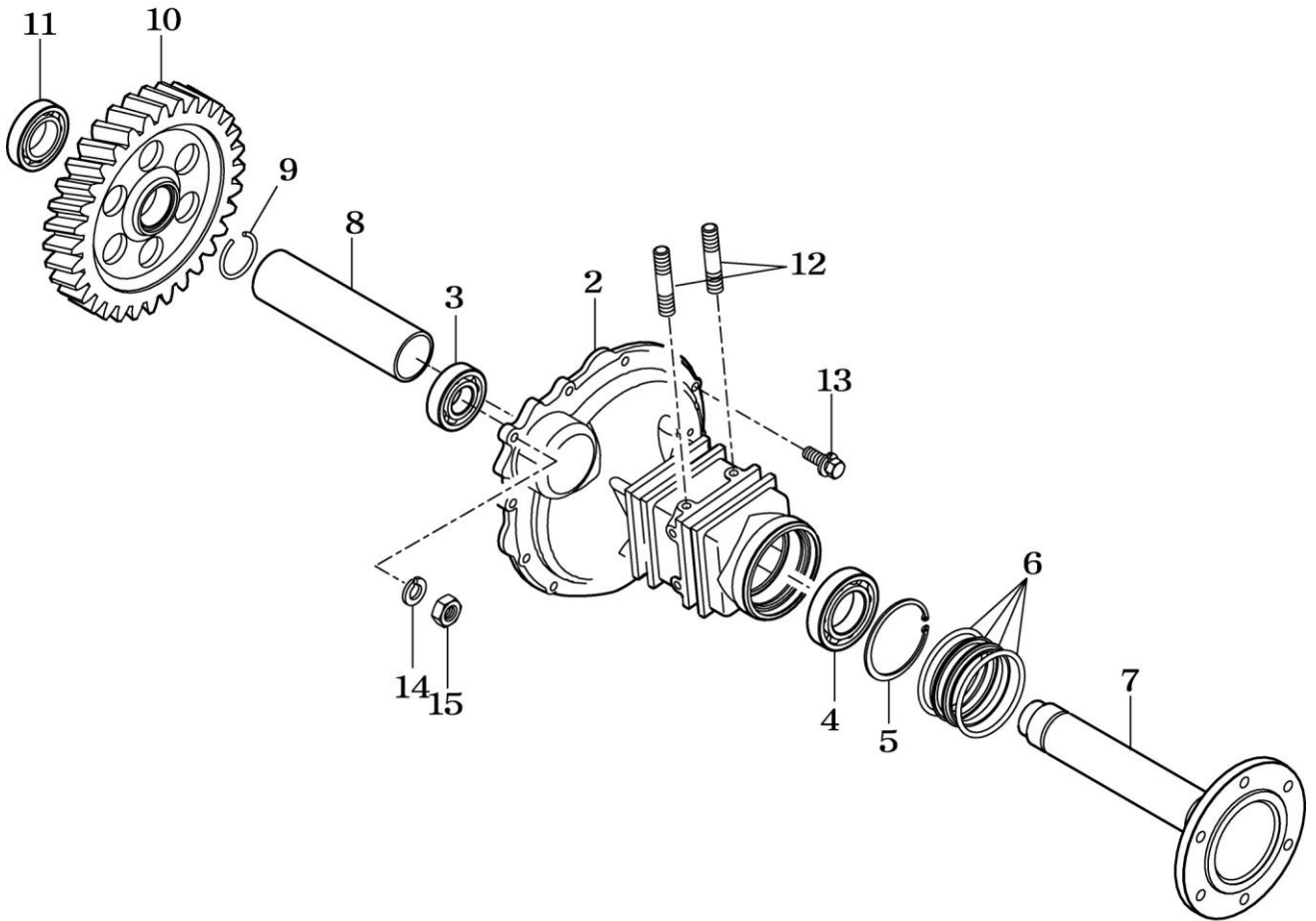
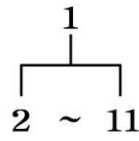
P1

Year / Month

2008 / 07



T303/353NH



T335/T331NHGBJ-E-415

NOTE

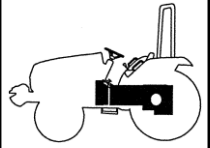
FIG 416

GRIP & LINKAGE

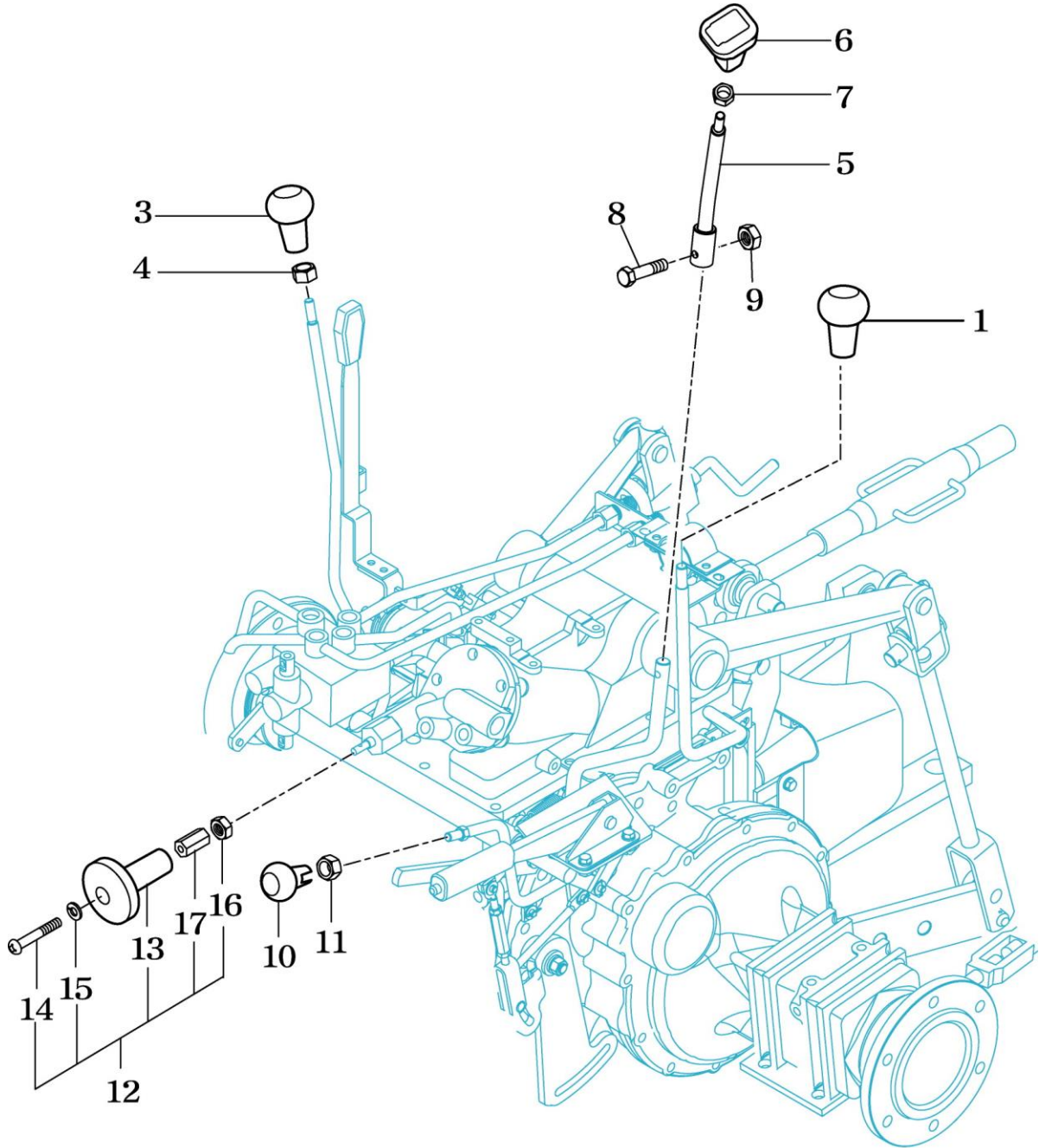
P1

Year / Month

2008 / 07



T303/353NH



T335/T331NHGBJ-E-416

NOTE

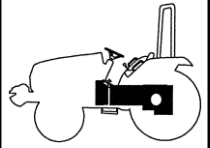
FIG 417

MAGNETIC CRUISE

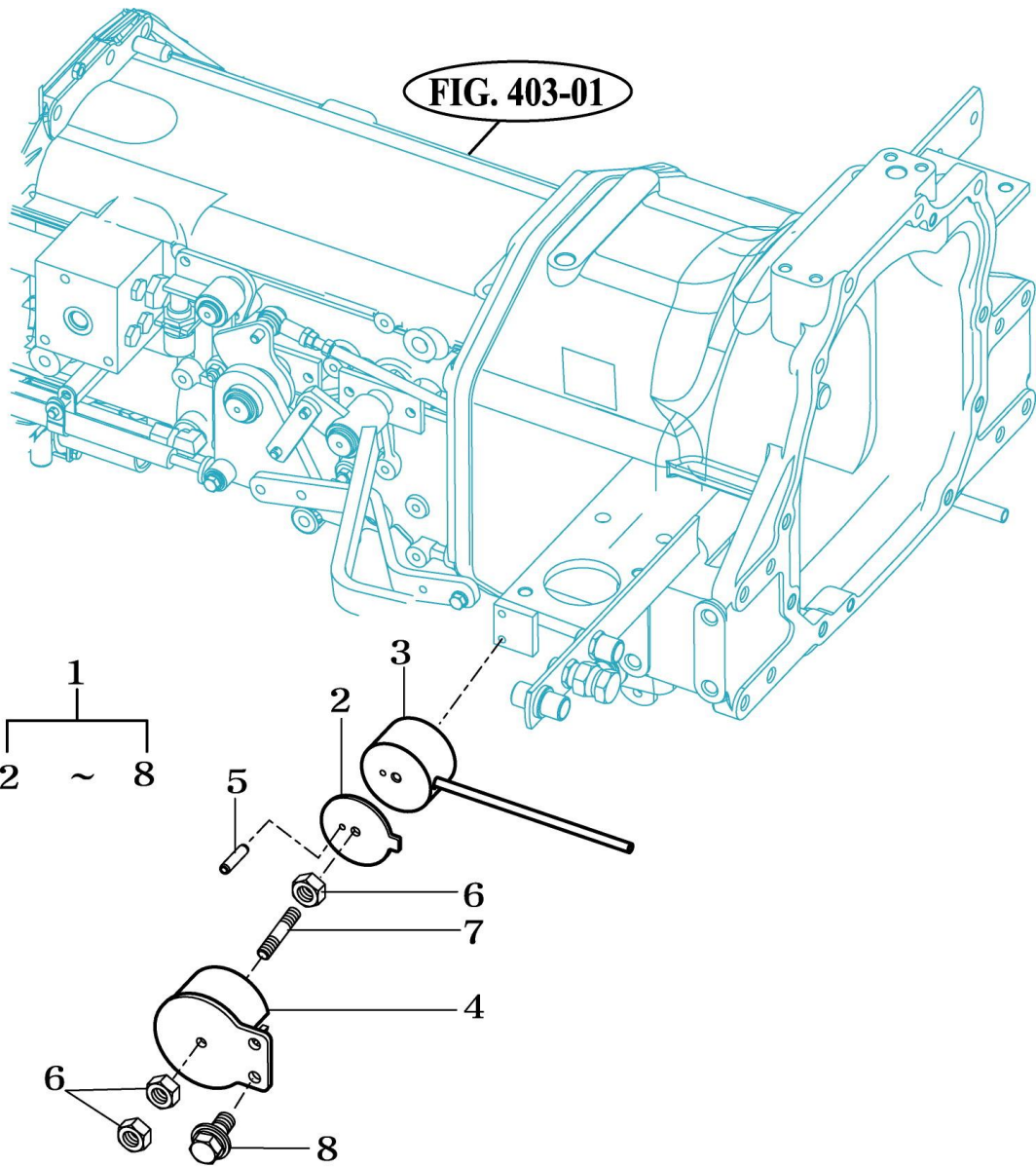
P1

Year / Month

2008 / 07



T303/353NH



T335/T331NHGBJ-E-417

NOTE