

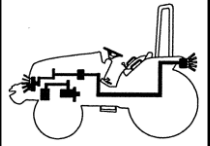
FIG 801

BATTERY & MOUNTING

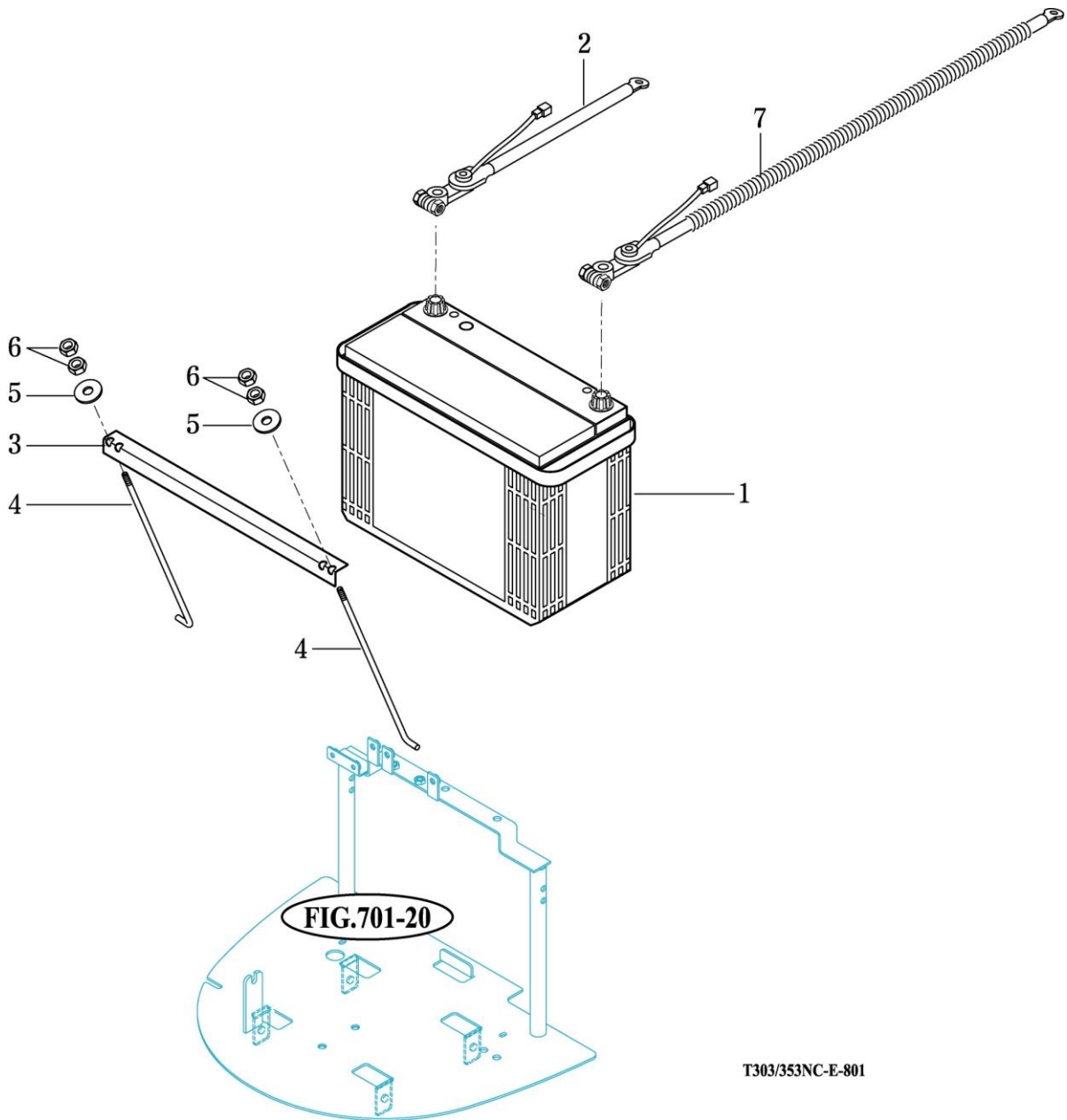
P1

Year / Month

2008 / 07



T303/353NH



T303/353NC-E-801

NOTE

FIG 802

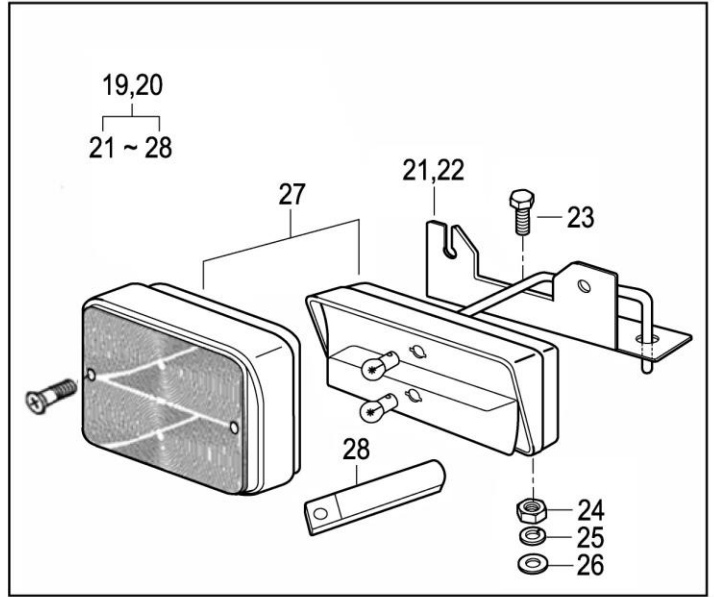
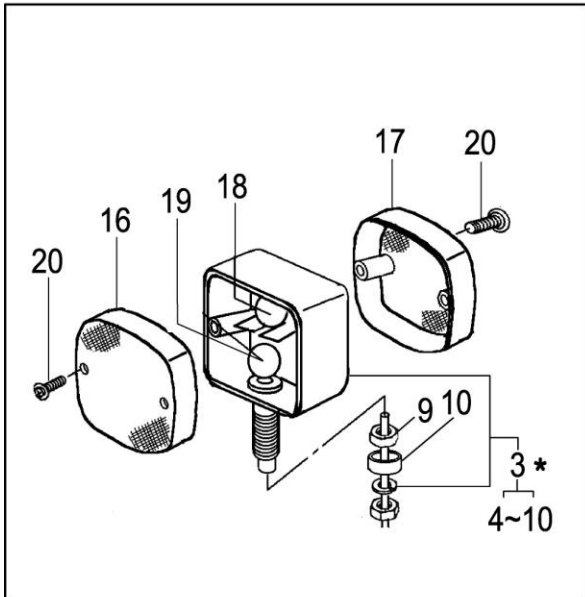
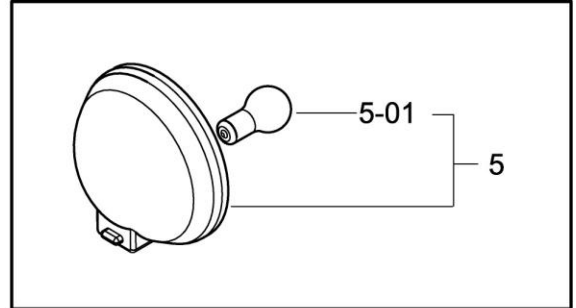
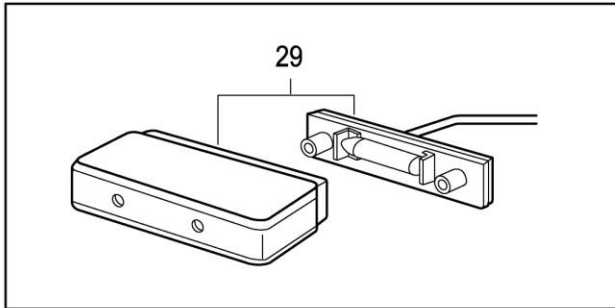
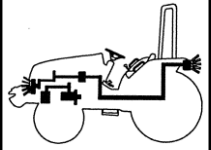
LIGHTS

T303/353NH

P1

Year / Month

2008/ 07



*** NOT SERVICED SEPARATELY**

NOTE

FIG 803

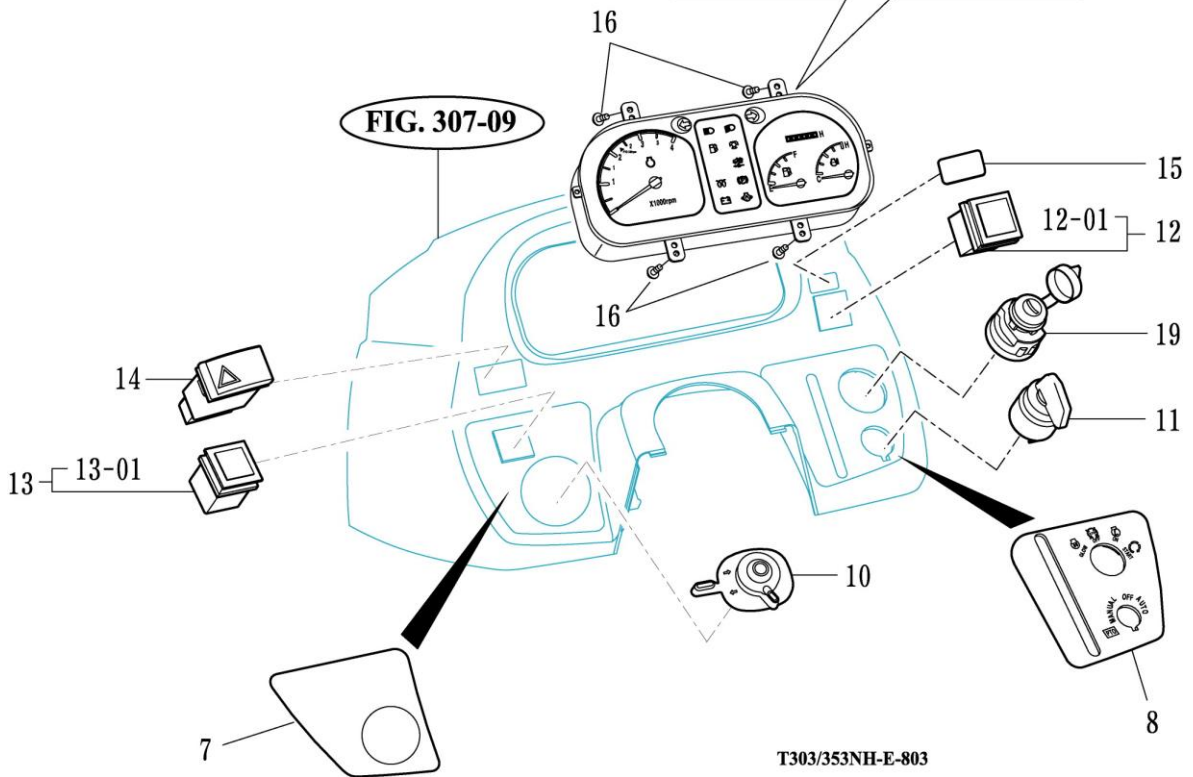
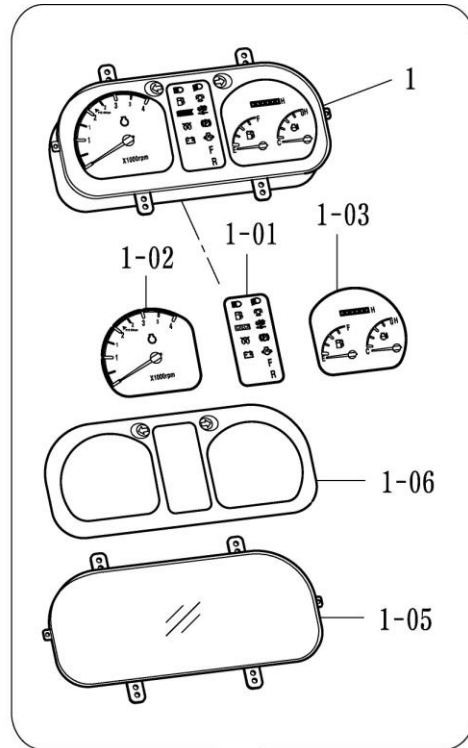
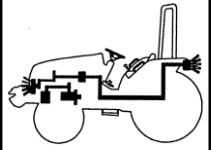
INSTRUMENT PANEL

T303/353NH

P1

Year / Month

2008/ 07



T303/353NH-E-803

NOTE

FIG 804

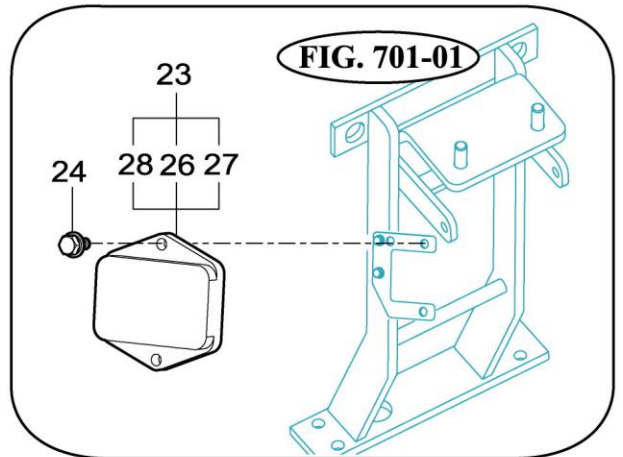
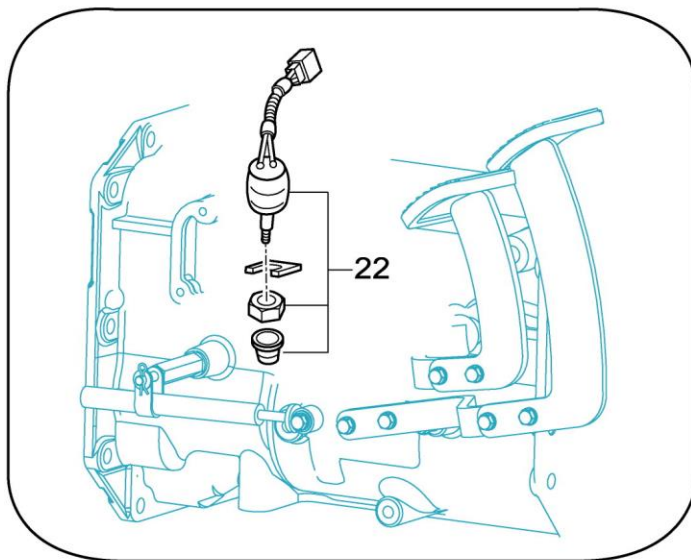
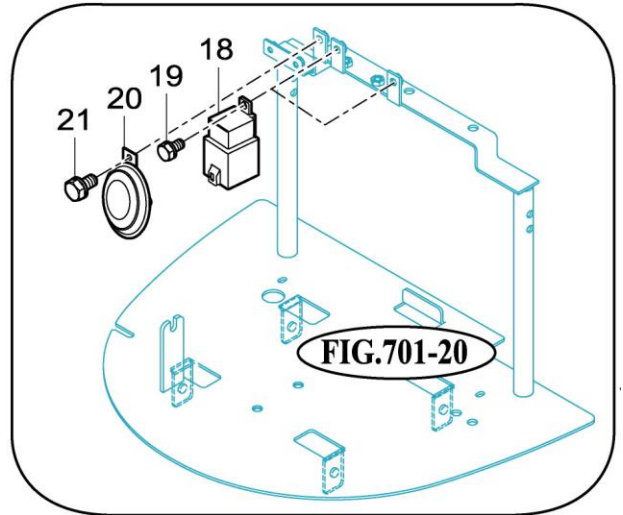
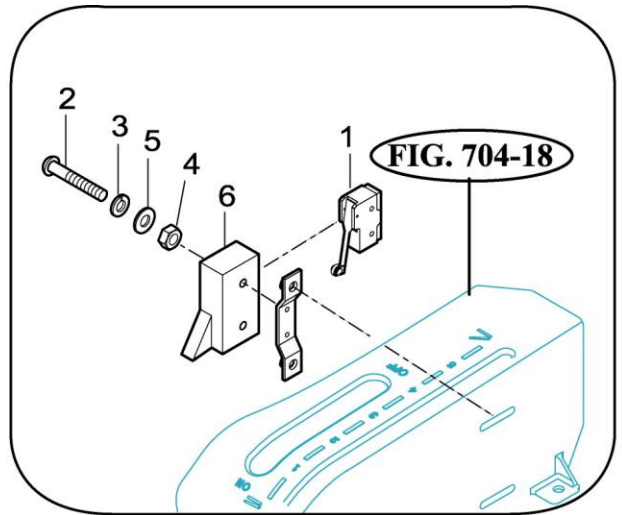
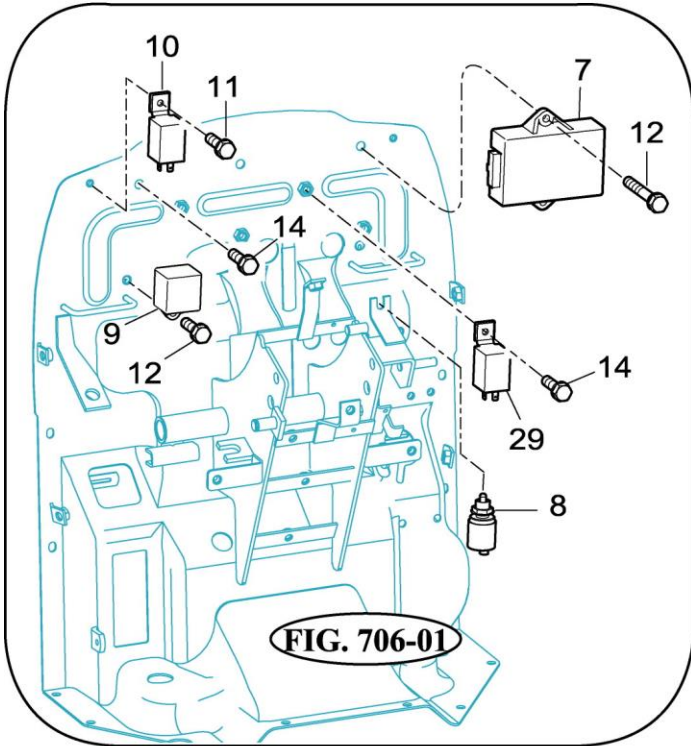
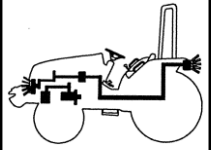
ELECTRIC SYSTEM

T303/353NH

P1

Year / Month

2008/ 07



T303/353NH-E-804

NOTE

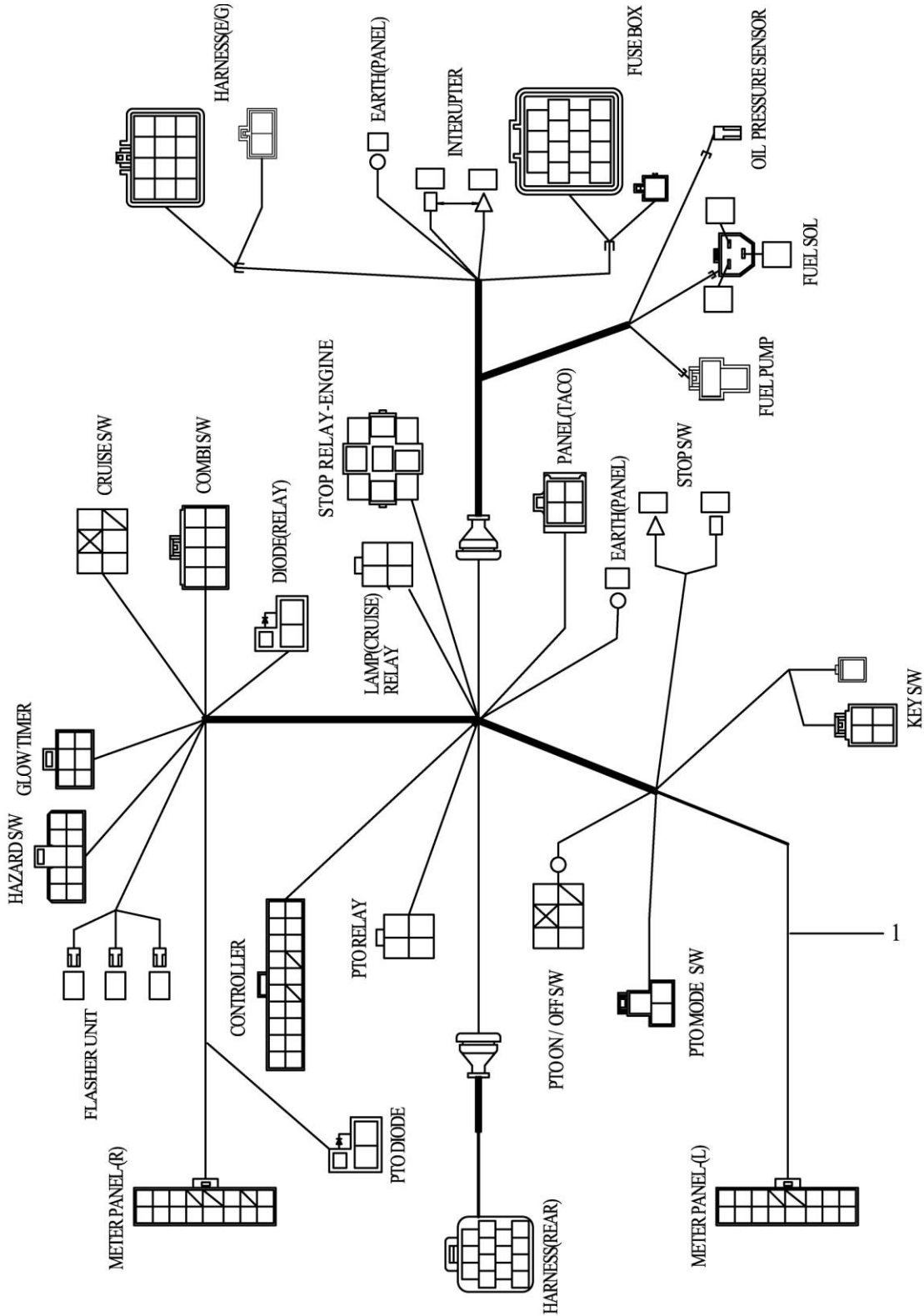
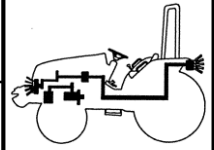


FIG 806

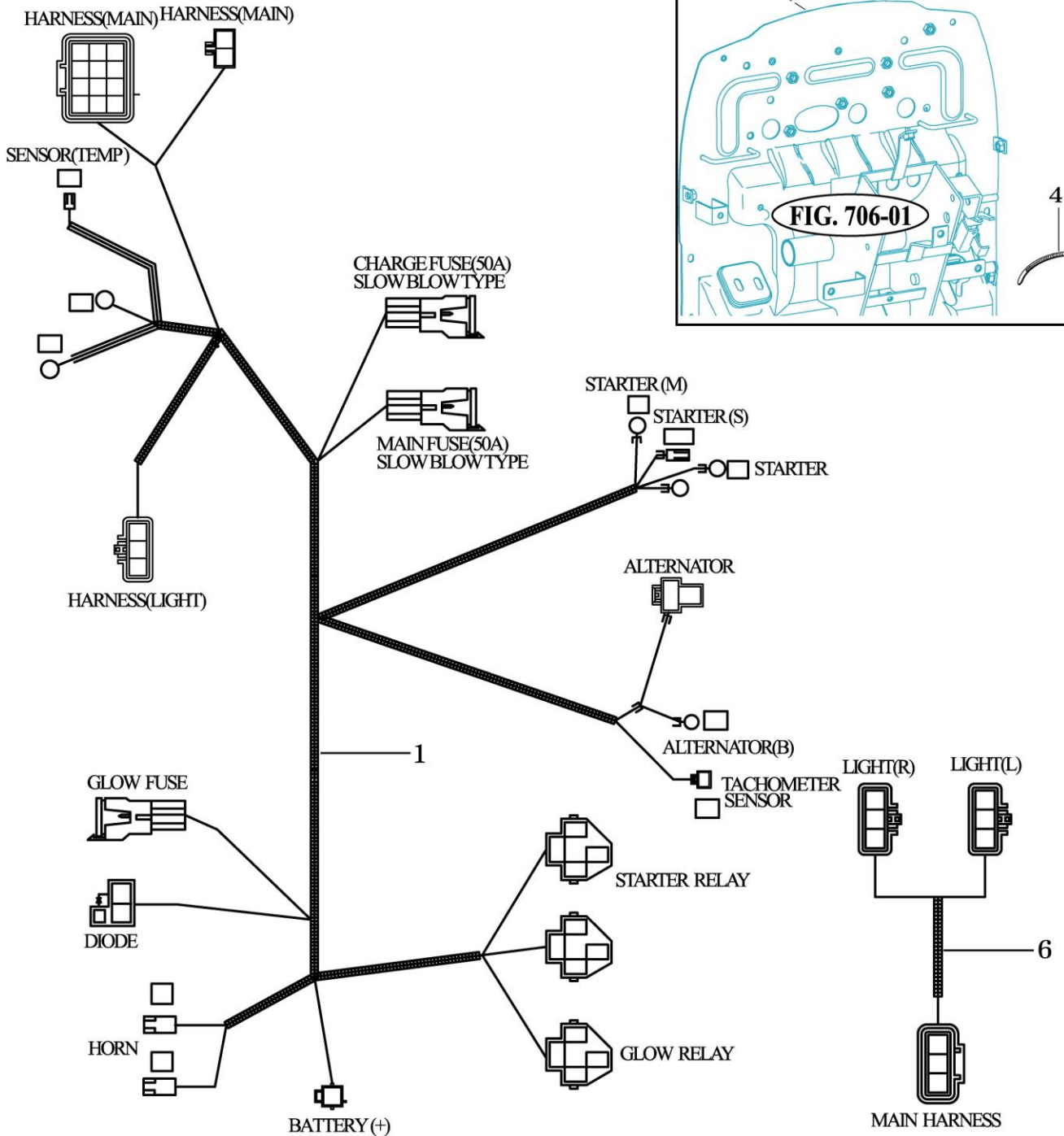
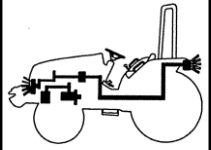
HARNESS (2)

T303/353NH

P1

Year / Month

2008/ 07



T303/353NH-E-806

NOTE

FIG 807

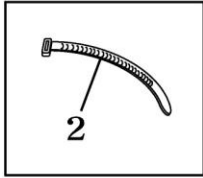
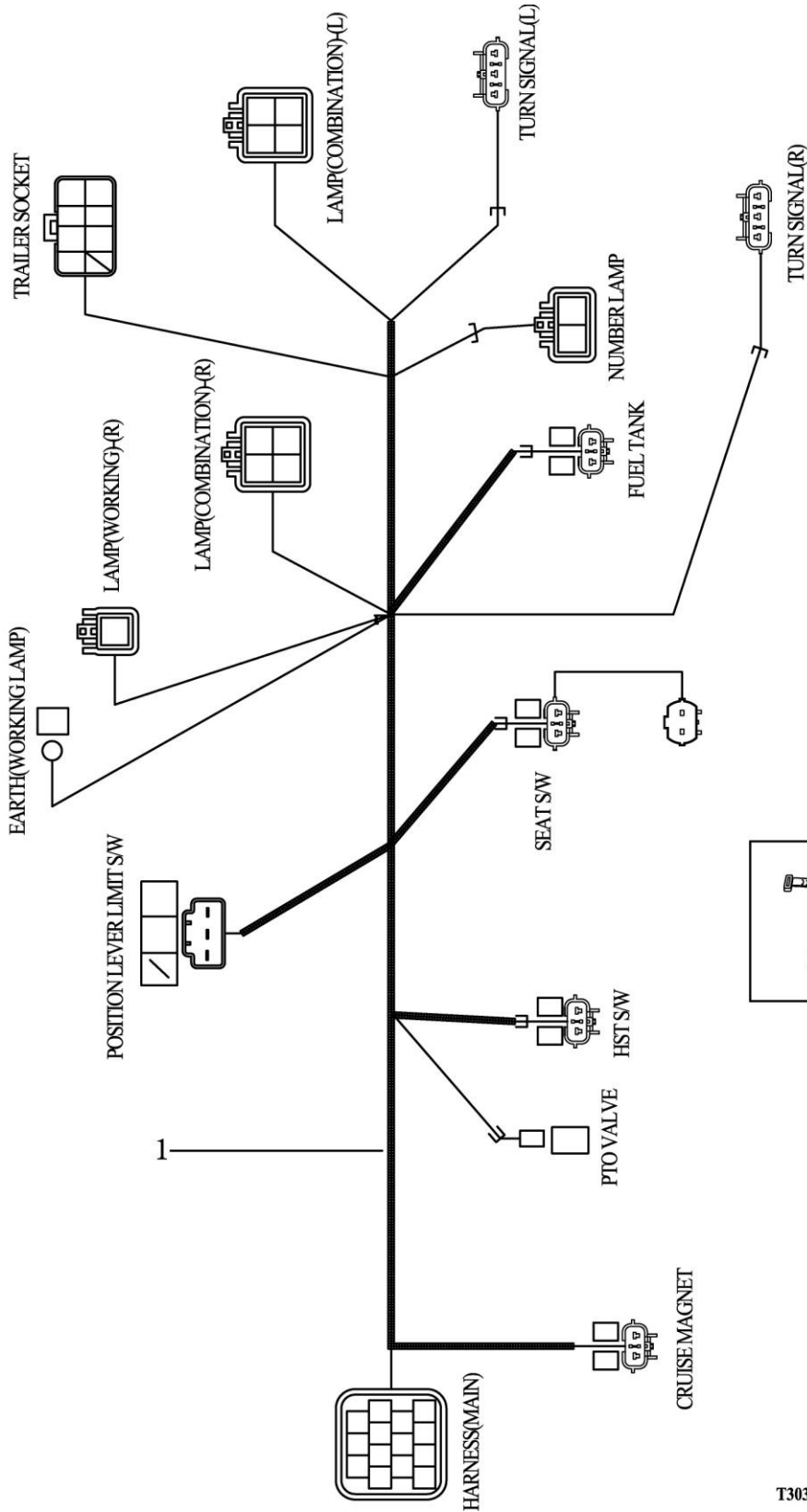
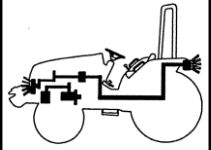
T303/353NH

HARNESS (3)

P1

Year / Month

2008/ 07



T303/353NH-E-807

NOTE