

FIG 101

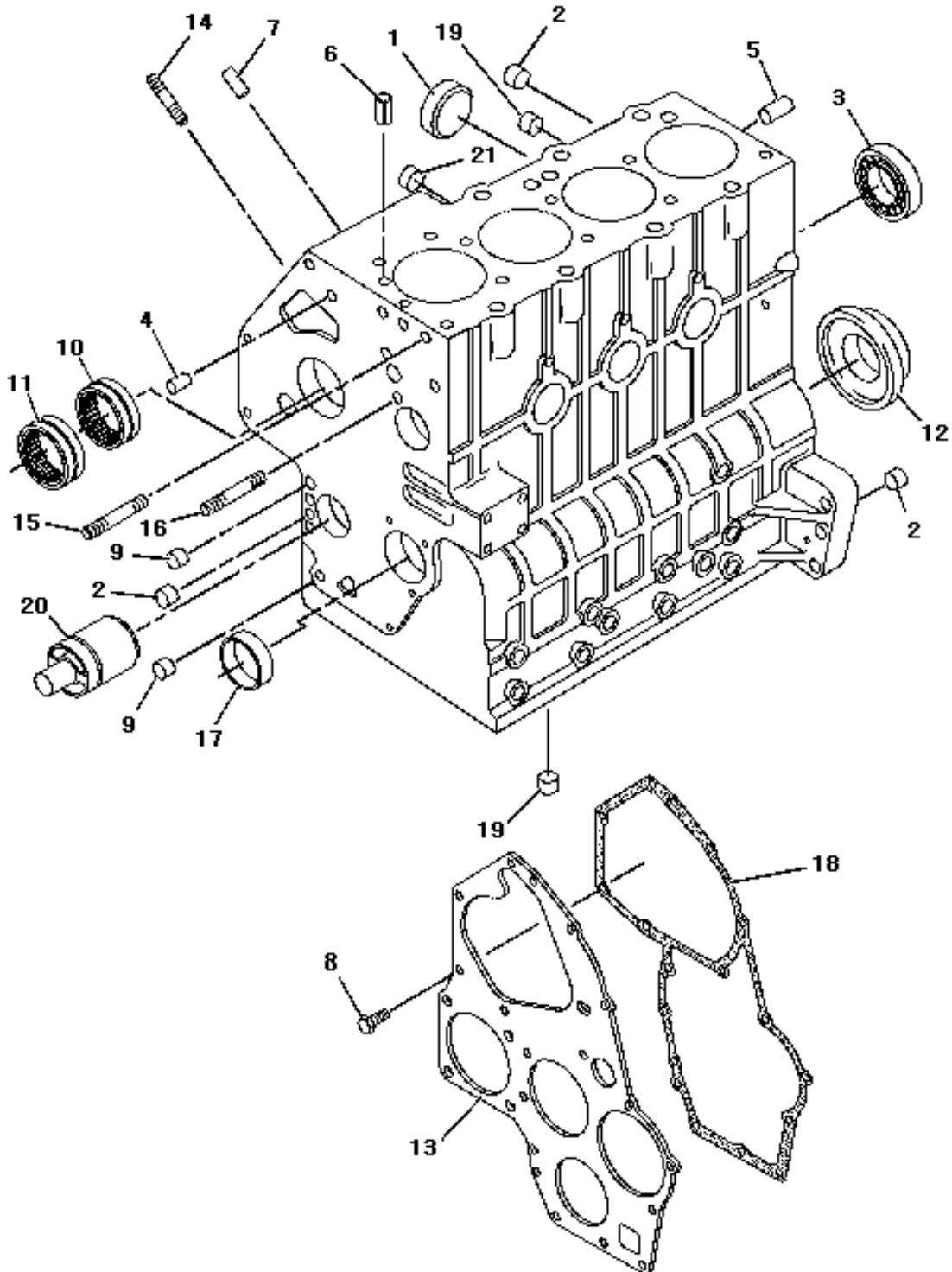
CYLINDER BLOCK GROUP

T503SH / T433NH

P1

Year / Month

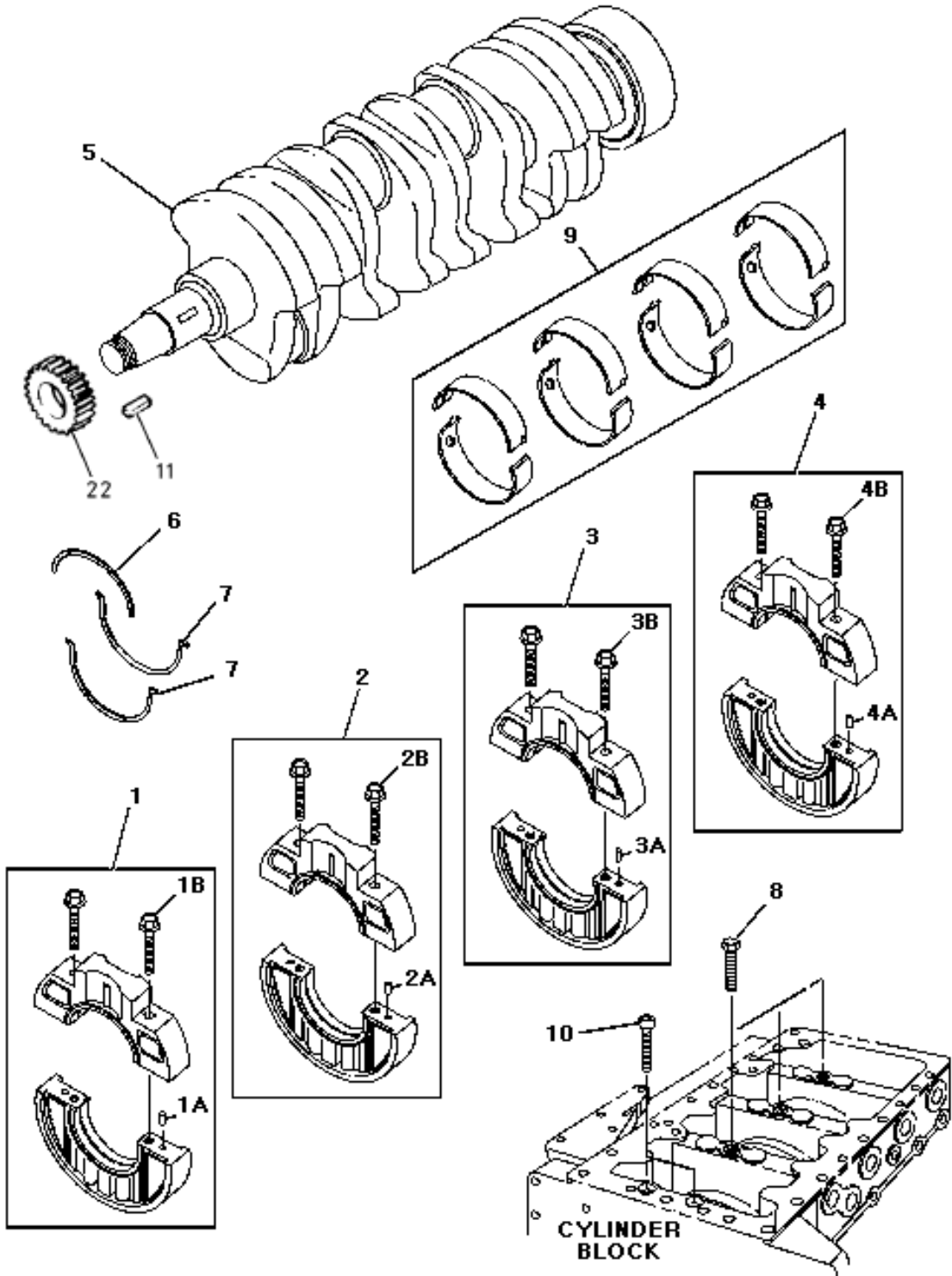
2010 / 06



NOTE



T503SH / T433NH



NOTE

FIG 103

PAN GROUP-OIL

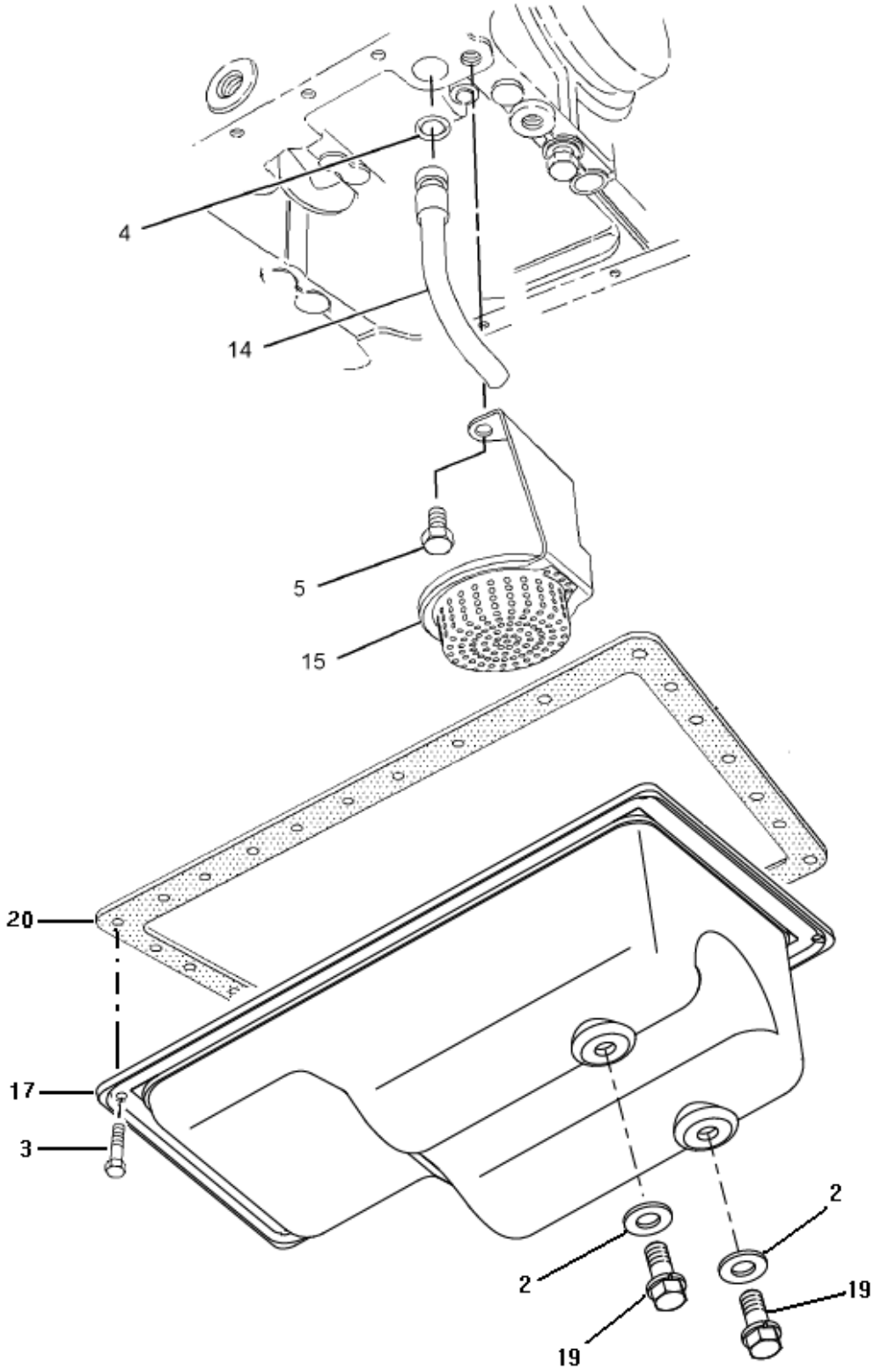
P1

Year / Month

2010 / 06



T503SH / T433NH



NOTE

FIG 103

PAN GROUP-OIL

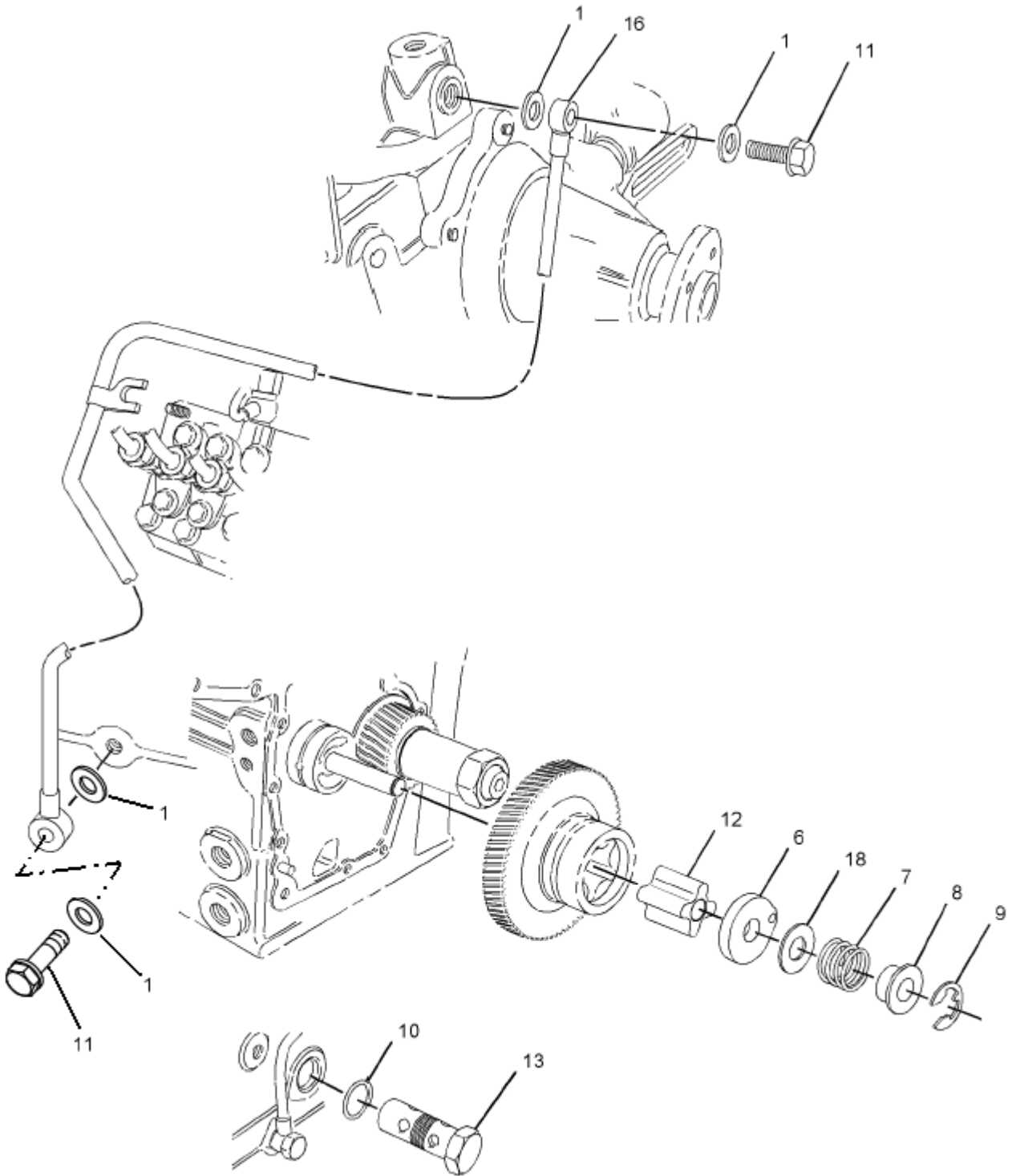
P2

Year / Month

2010 / 06



T503SH / T433NH



NOTE

FIG 104

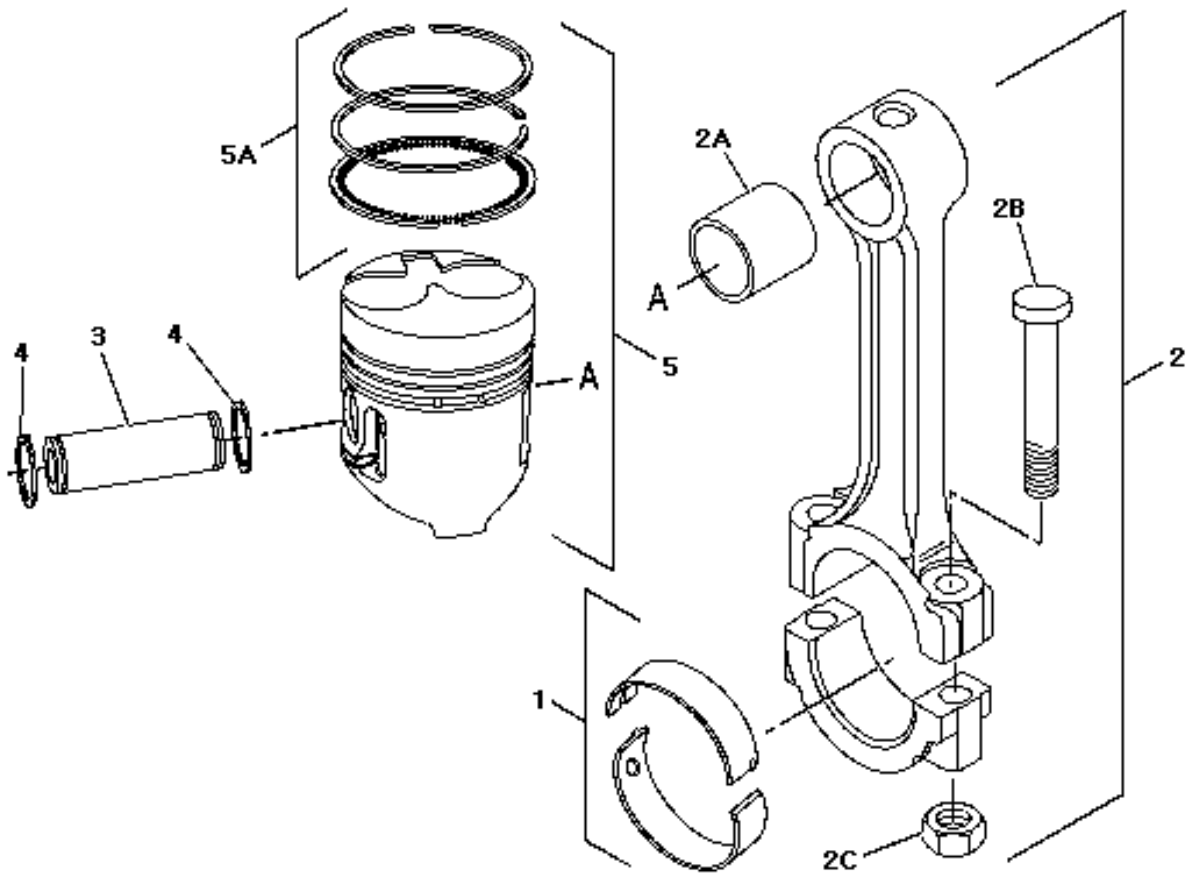
T503SH / T433NH

PISTON & ROD GROUP

P1

Year / Month

2010 / 06



NOTE

FIG 105

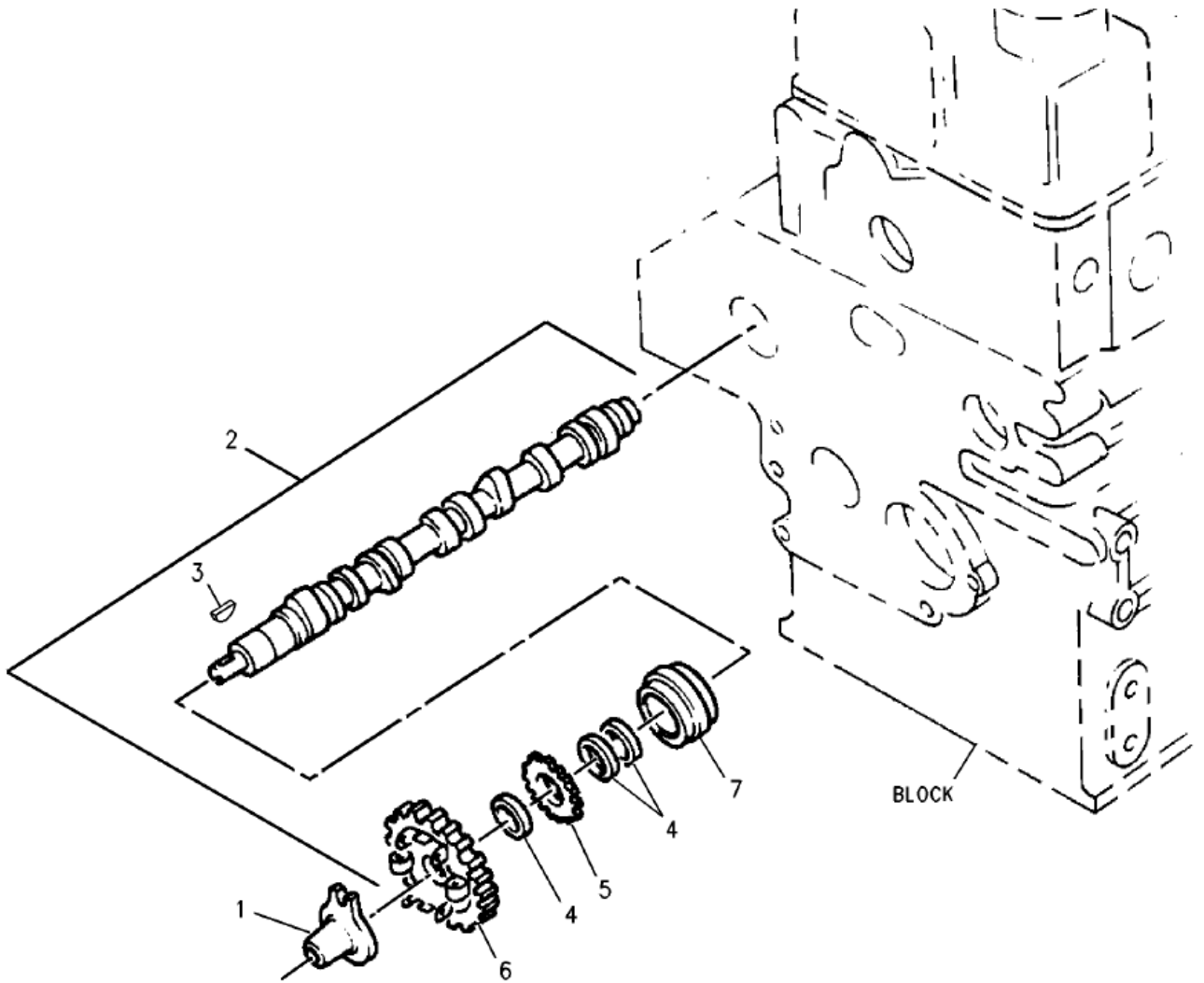
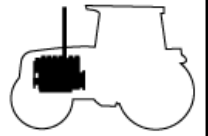
CAMSHAFT GROUP

T503SH / T433NH

P1

Year / Month

2010 / 06



NOTE

FIG 106

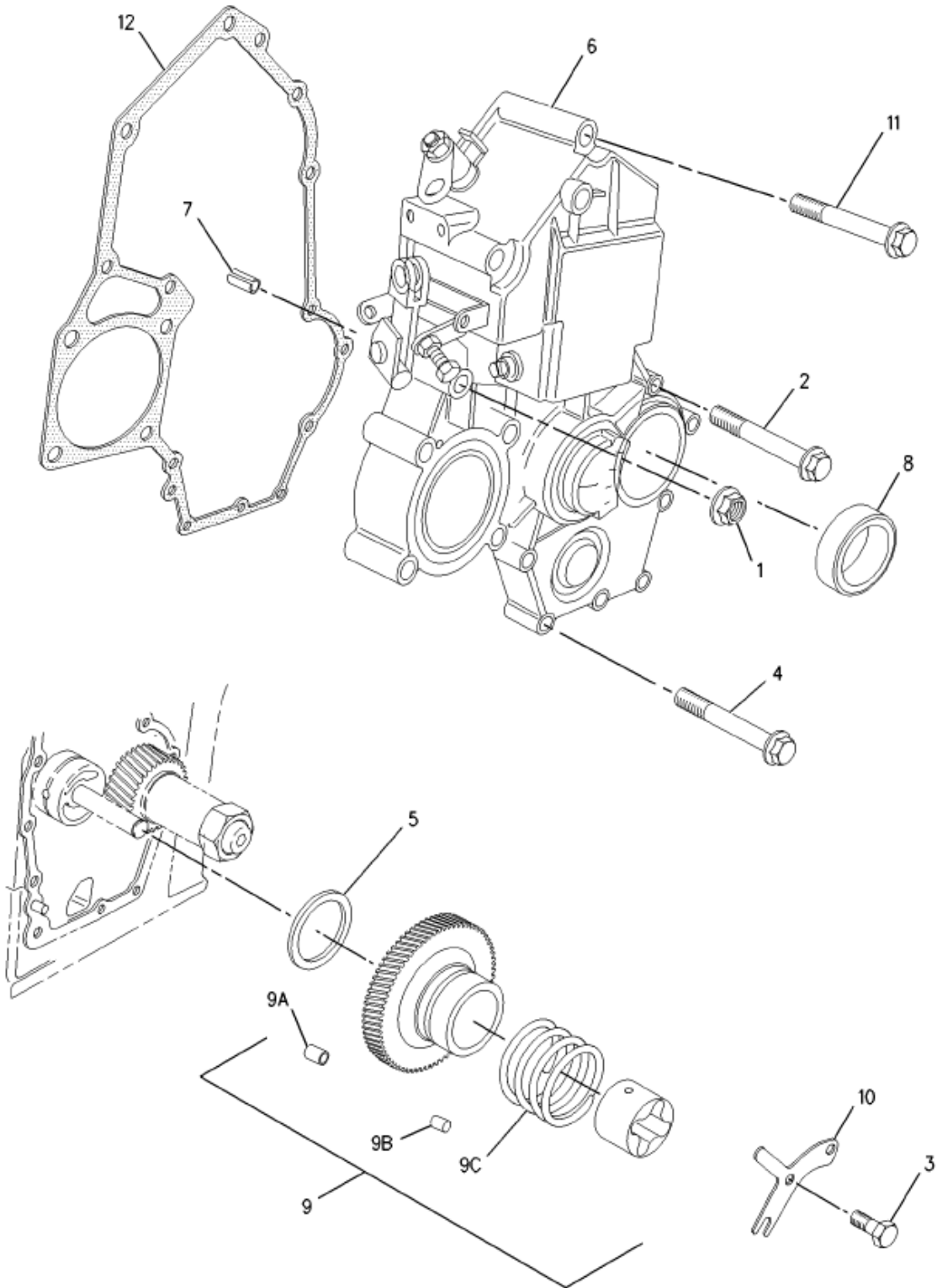
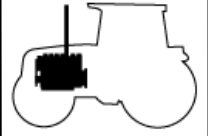
HOUSING GROUP-FRONT

T503SH / T433NH

P1

Year / Month

2010 / 06



NOTE

FIG 107

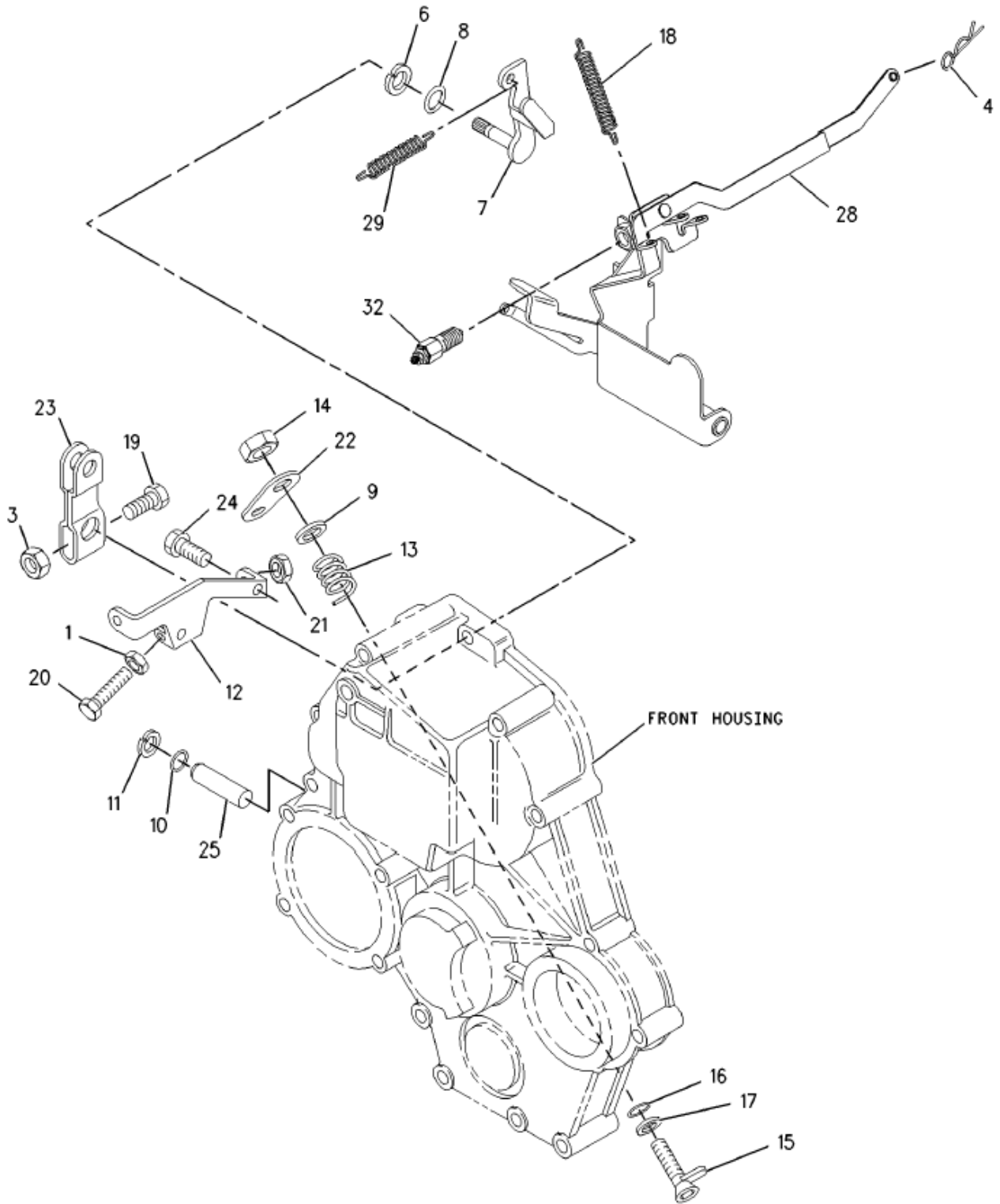
GOVERNOR GROUP

T503SH / T433NH

P1

Year / Month

2010 / 06



NOTE

FIG 107

GOVERNOR GROUP

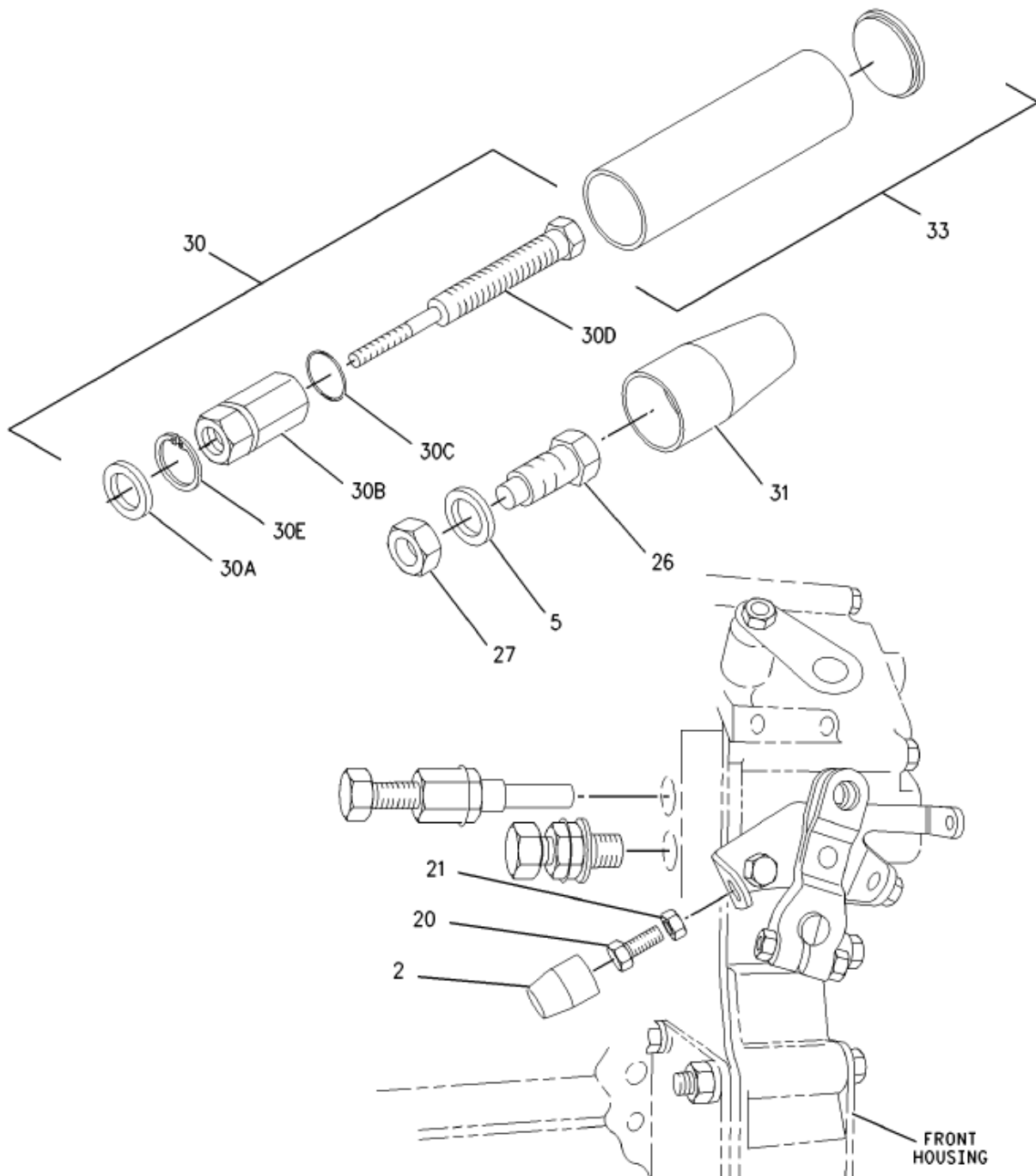
P2

Year / Month

2010 / 06



T503SH / T433NH



NOTE

FIG 108

BEARING & GEAR

P1

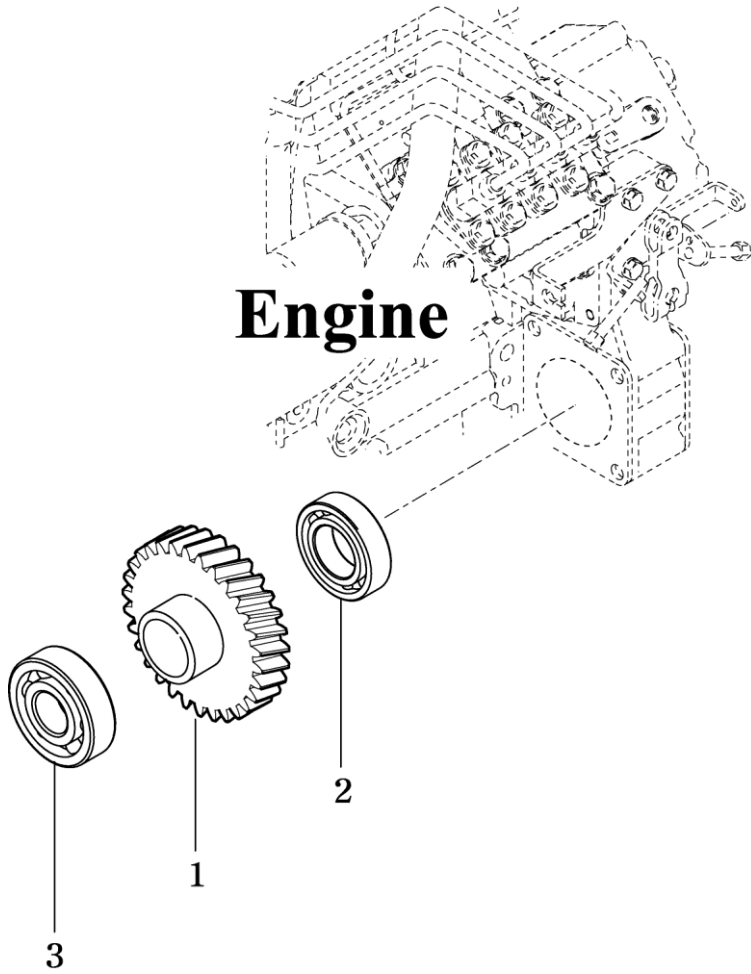
Year / Month

2010 / 06



T503SH / T433NH

Engine



NOTE

FIG 109

PULLEY GROUP-AUXILIARY DRIVE

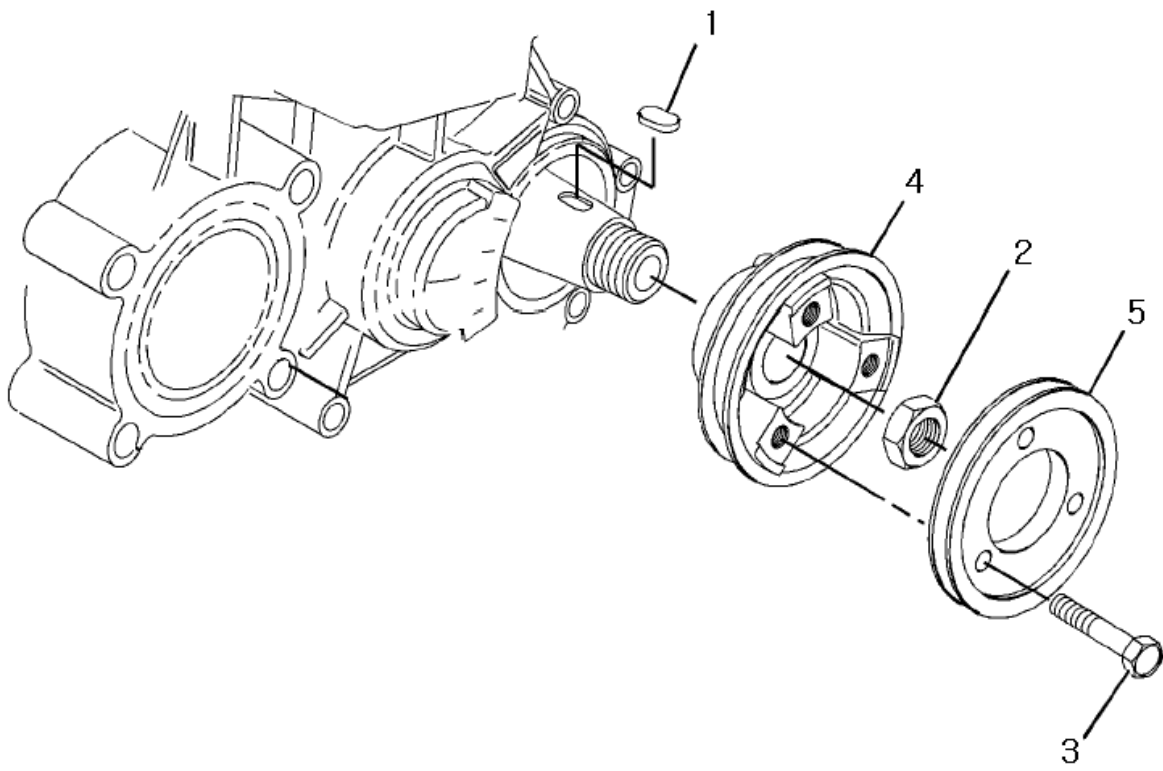
P1

Year / Month

2010 / 06



T503SH / T433NH



NOTE

FIG 110

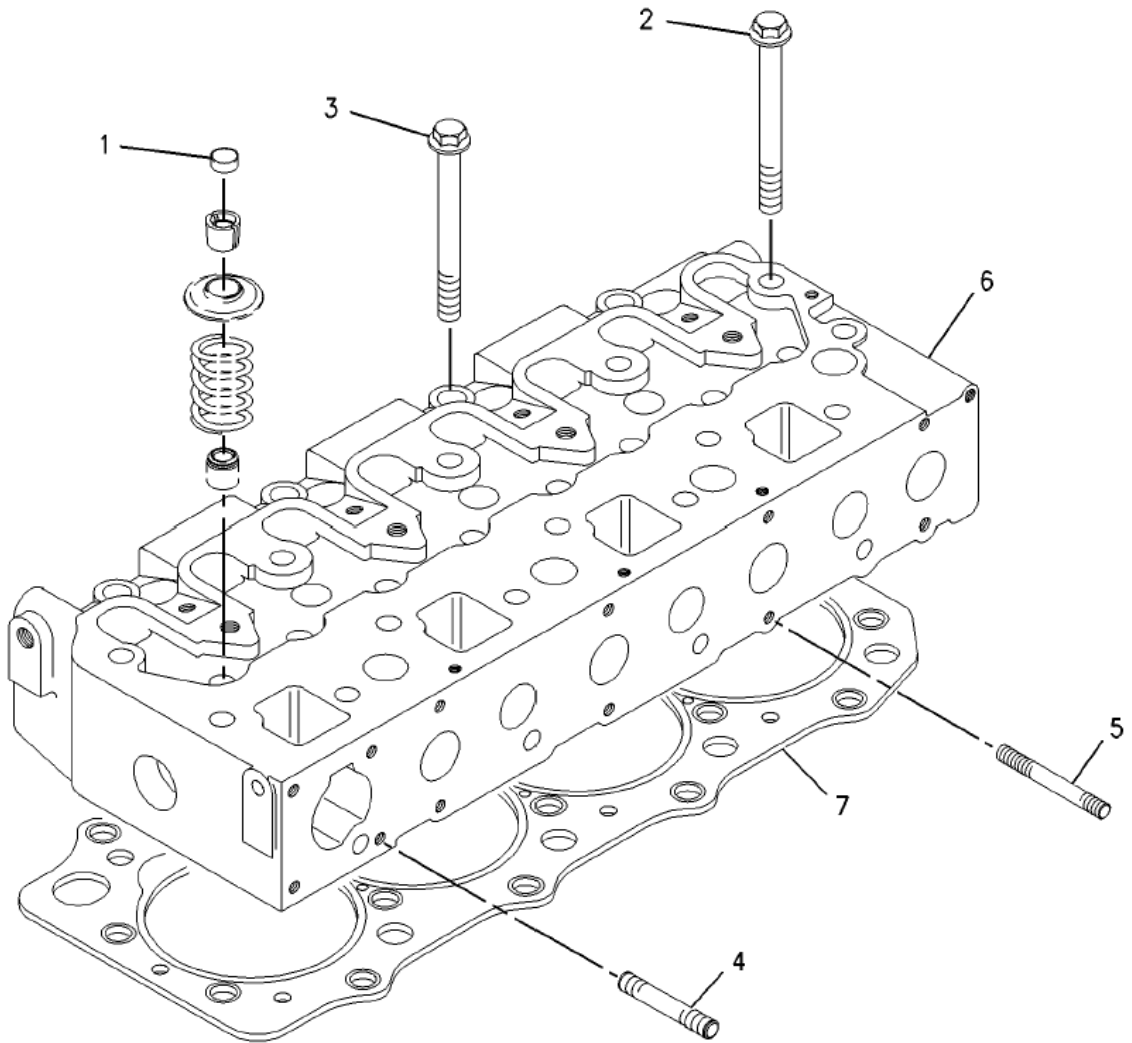
CYLINDER HEAD GROUP (1)

T503SH / T433NH

P1

Year / Month

2010 / 06



NOTE

FIG 111

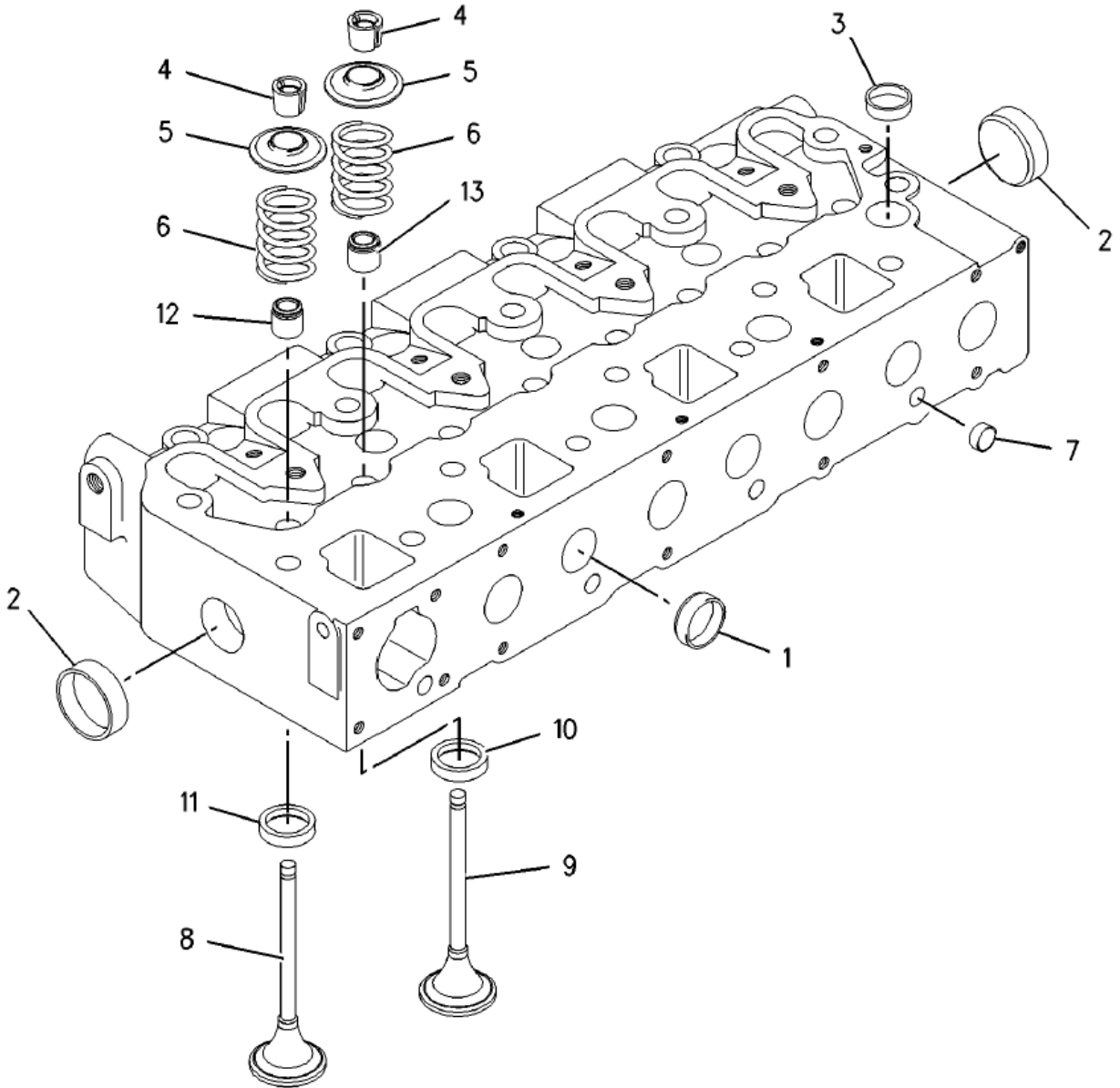
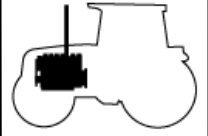
CYLINDER HEAD GROUP (2)

T503SH / T433NH

P1

Year / Month

2010 / 06



NOTE

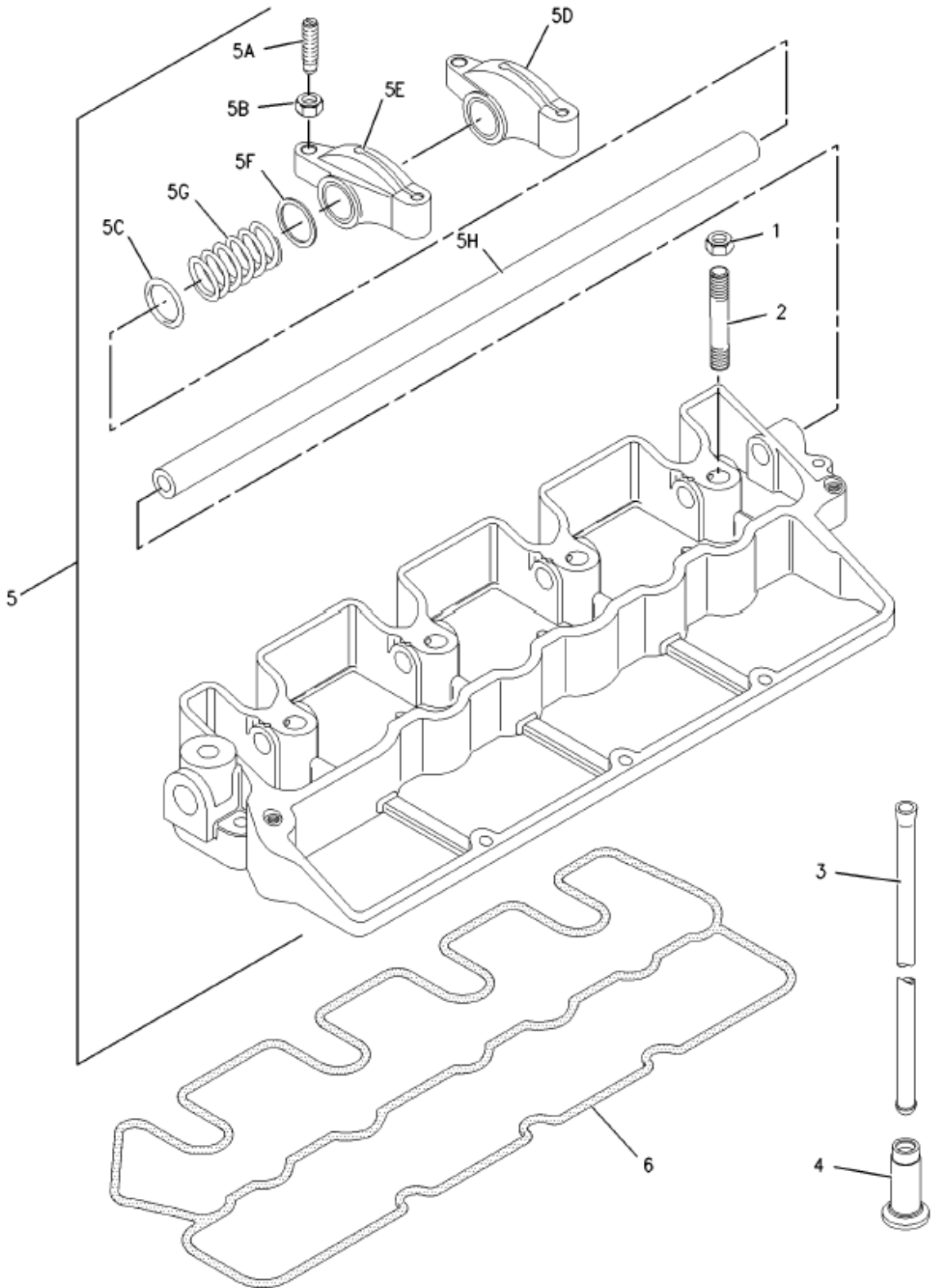
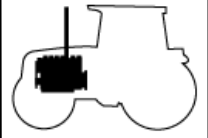
FIG 112

VALVE MECHANISM GROUP

P1

Year / Month

2010 / 06



NOTE

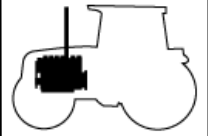
FIG 113

COVER GROUP-VALVE MECHANISM

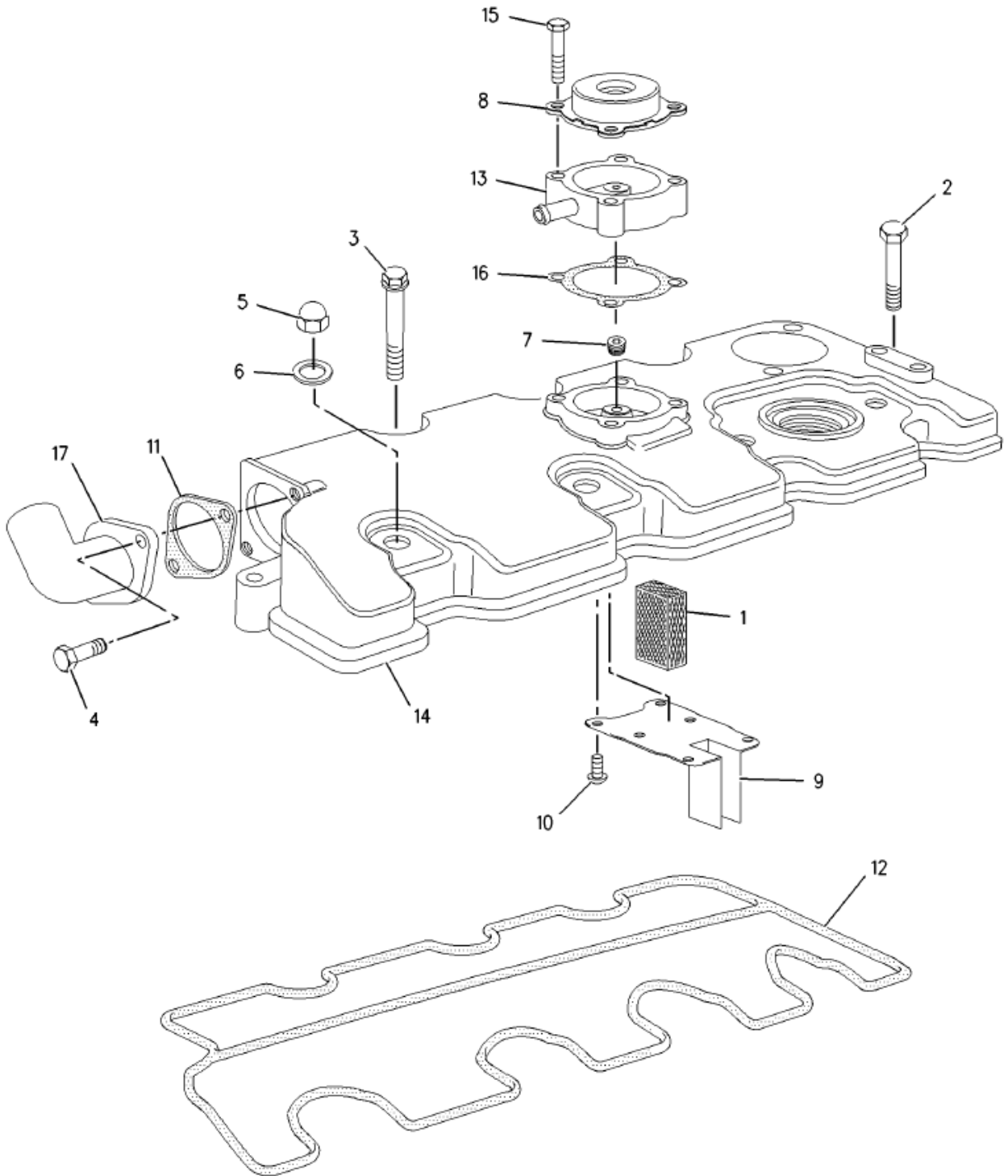
P1

Year / Month

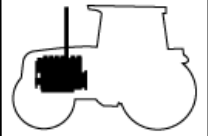
2010 / 06



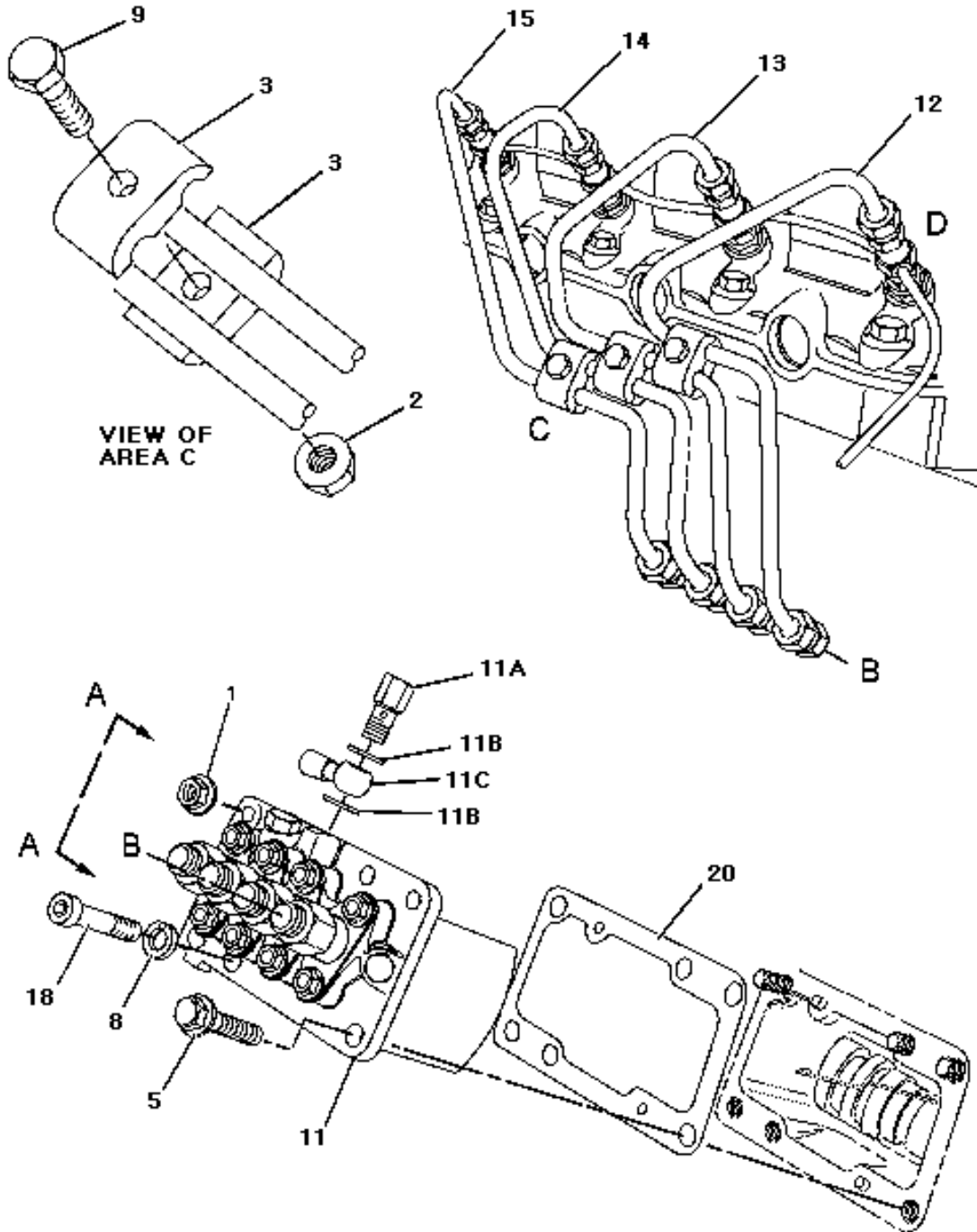
T503SH / T433NH



NOTE



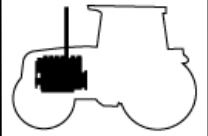
T503SH / T433NH



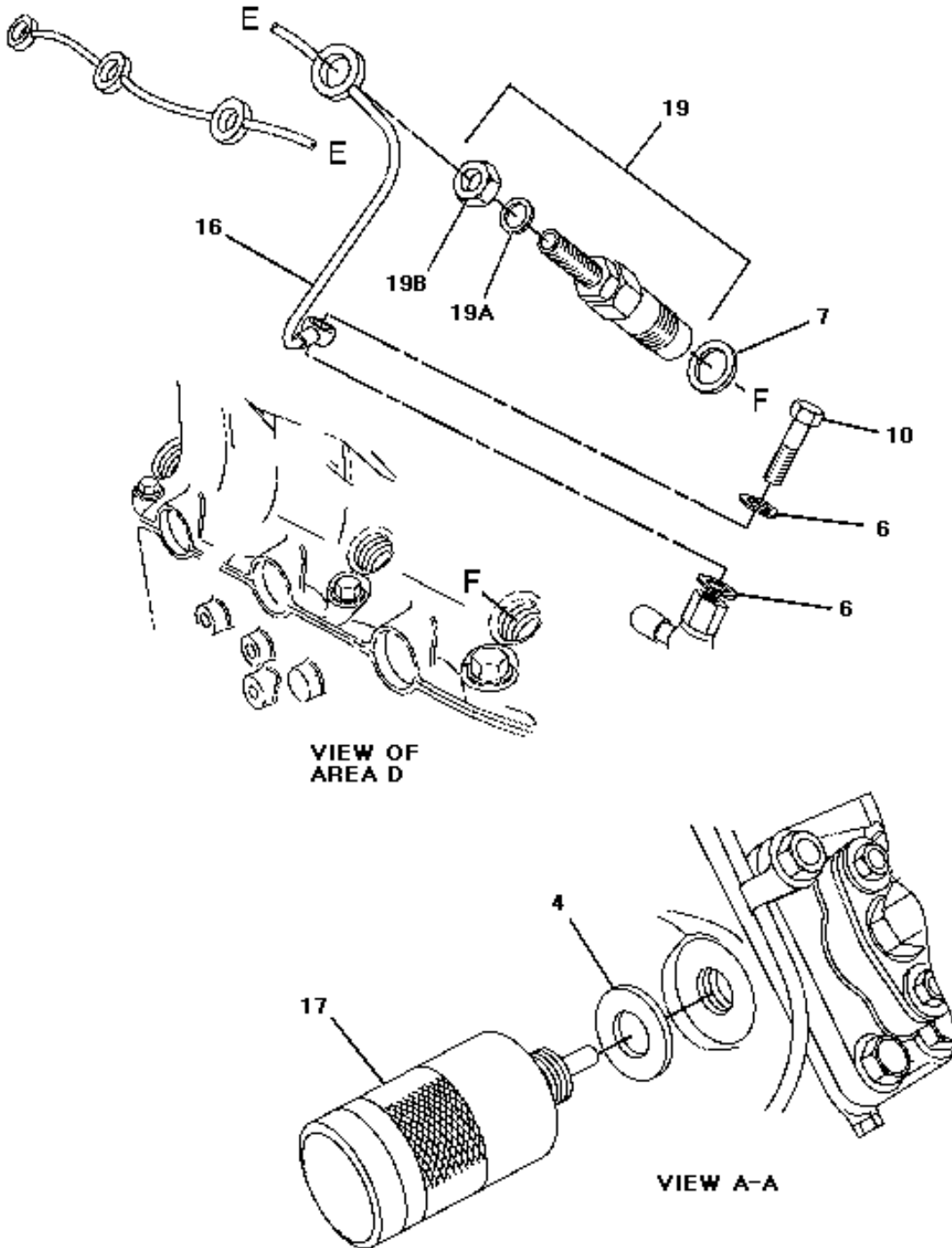
VIEW OF AREA C

REFER TO ALL ILLUSTRATION OF THIS GROUP FOR AUXILIARY VIEWS

NOTE



T503SH / T433NH



NOTE

FIG 117

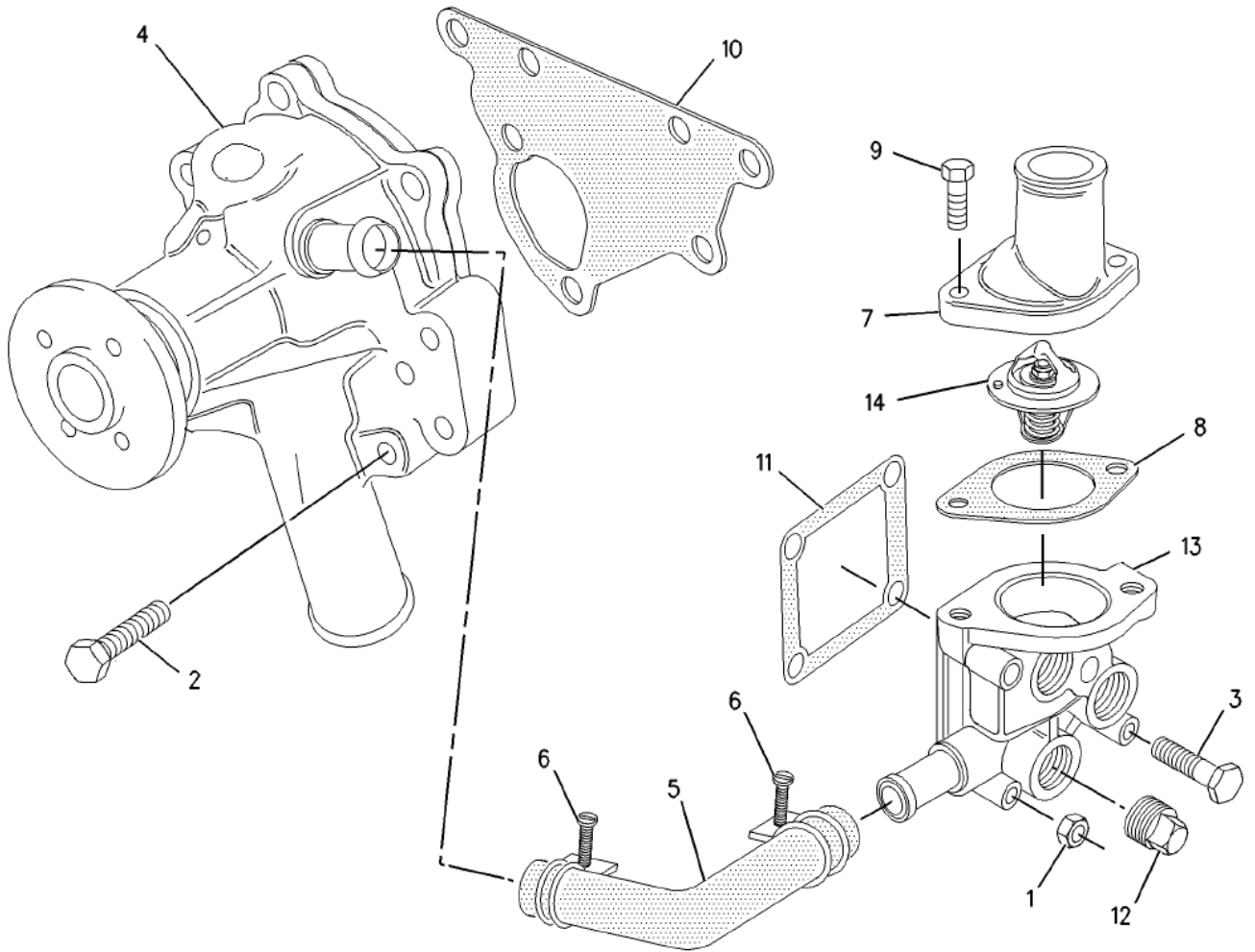
PUMP GROUP-WATER (1)

T503SH / T433NH

P1

Year / Month

2010 / 06



NOTE

FIG 118

PUMP GROUP-WATER (2)

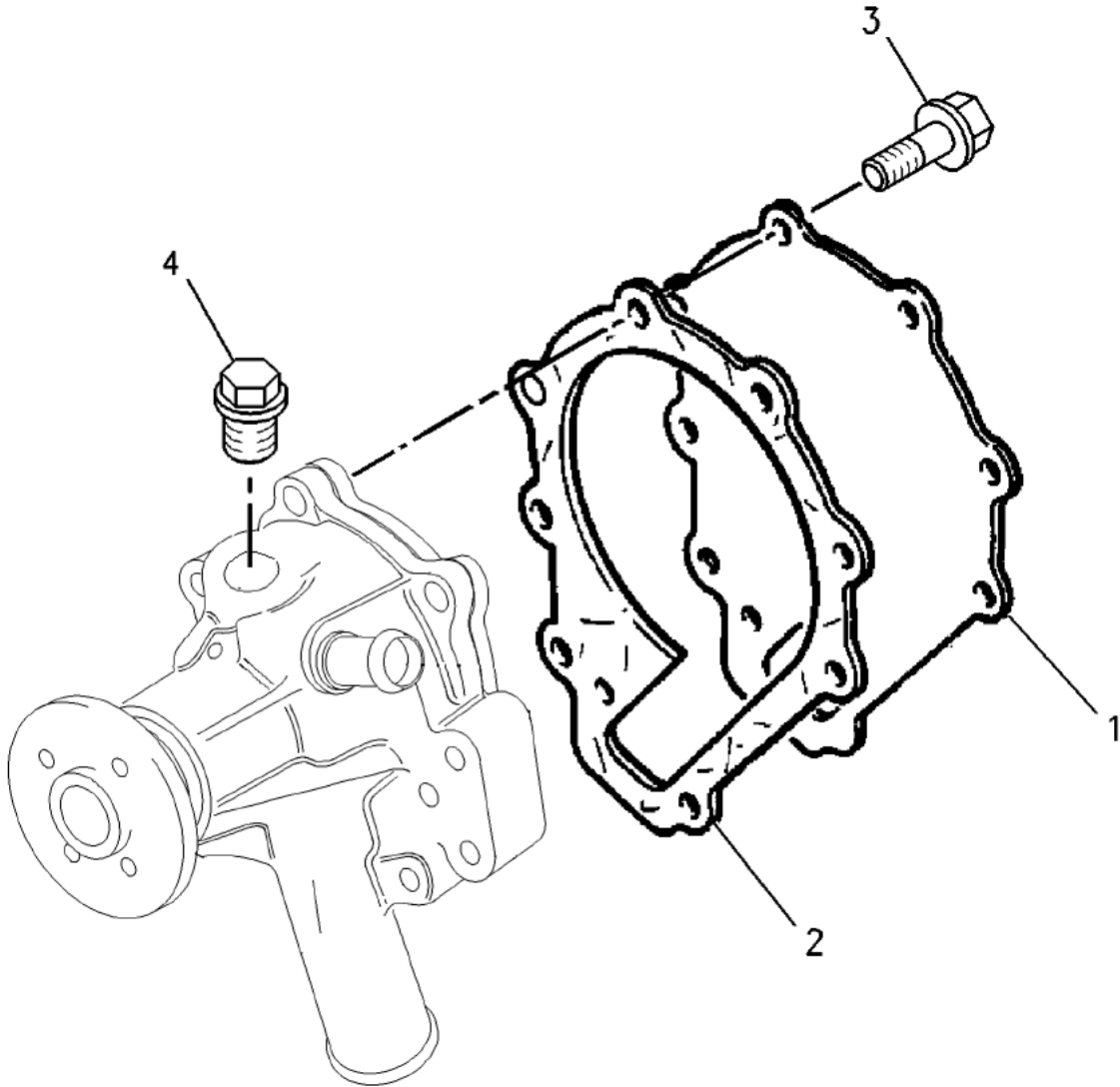
P1

Year / Month

2010 / 06



T503SH / T433NH



NOTE

FIG 119

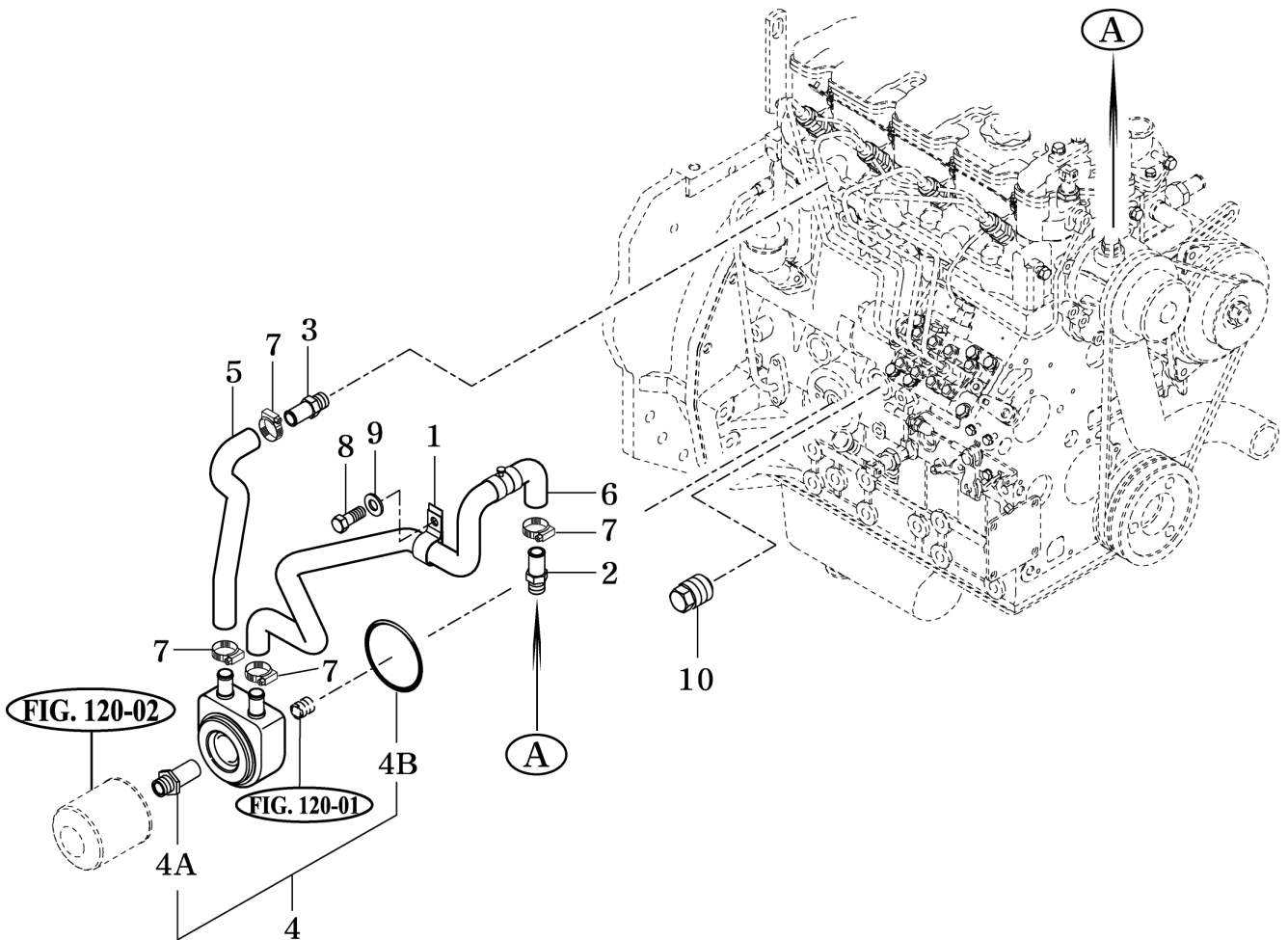
COOLER GROUP-FILTER BASE

T503SH / T433NH

P1

Year / Month

2010 / 06



NOTE

FIG 120

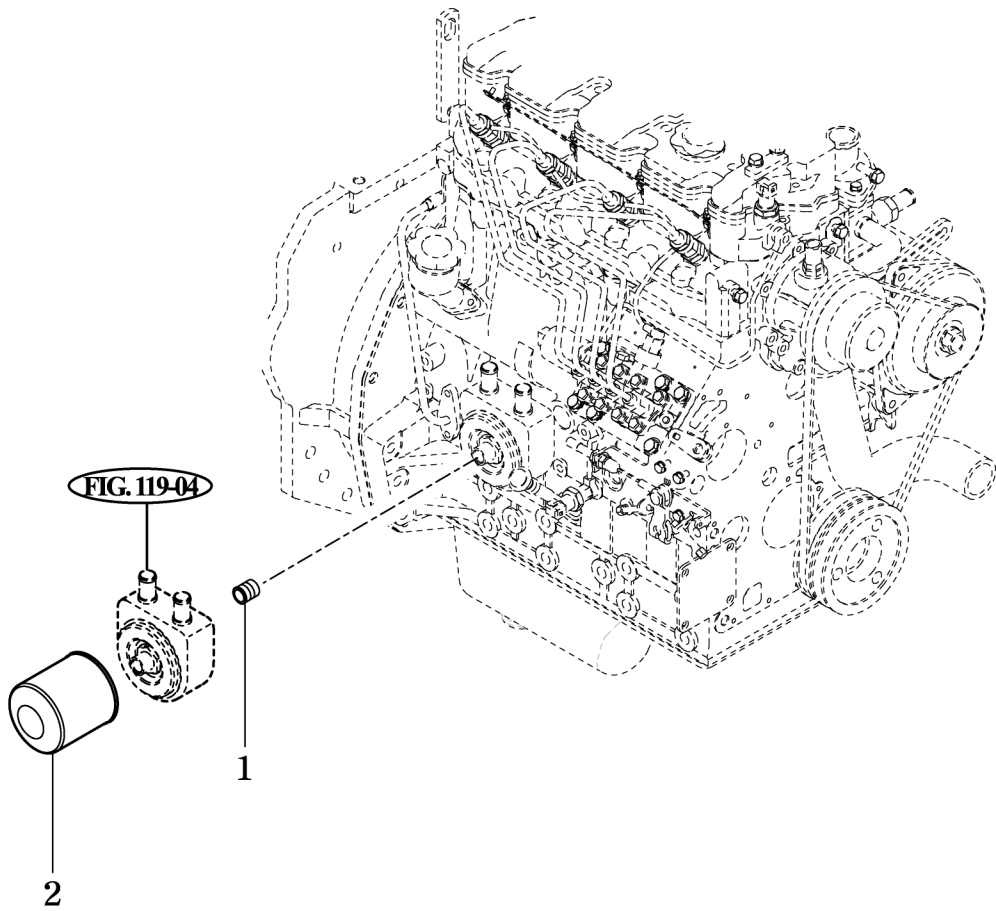
ENGINE OIL FILTER

T503SH / T433NH

P1

Year / Month

2010 / 06



NOTE

FIG 121

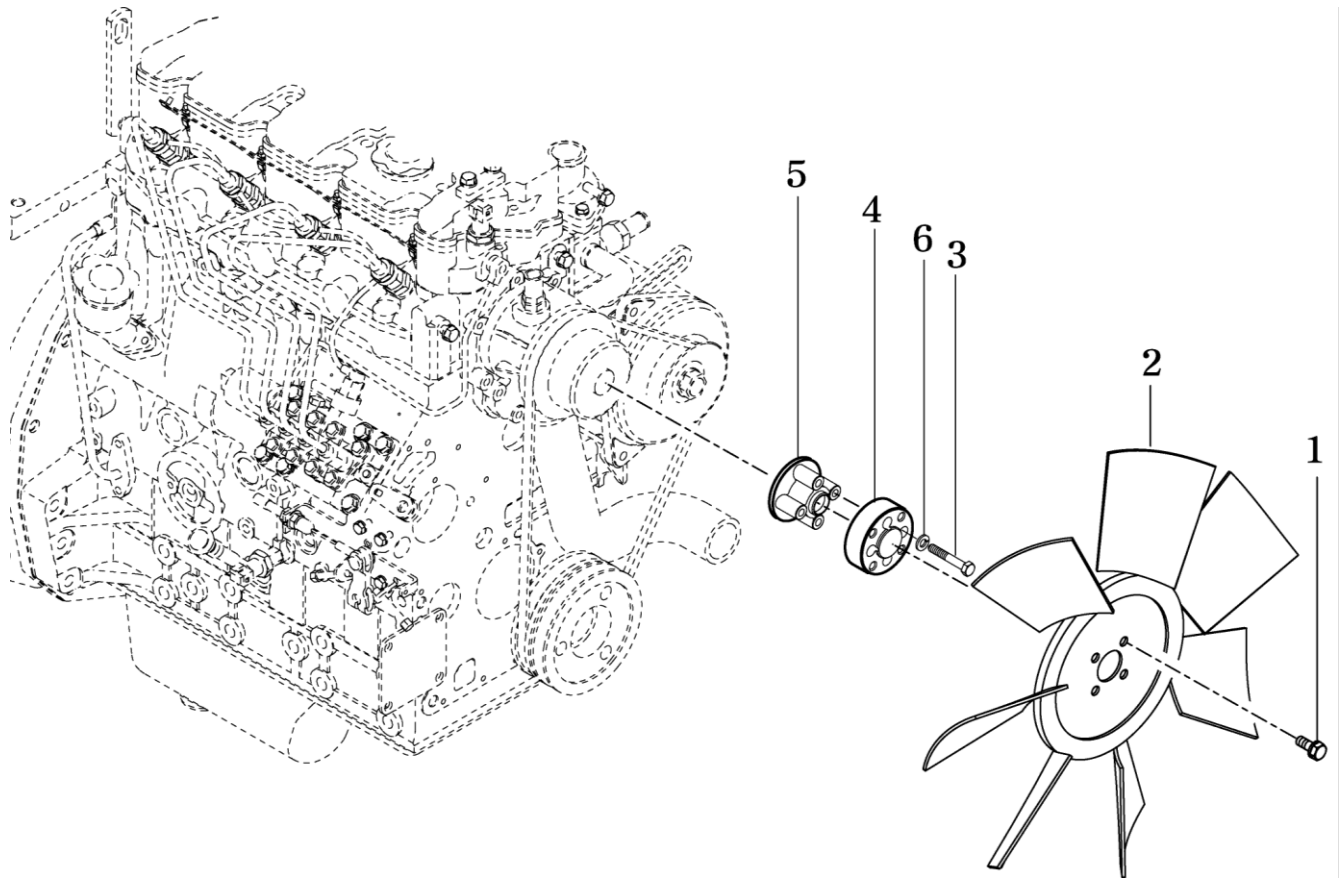
FAN GROUP-BLOWER

T503SH / T433NH

P1

Year / Month

2010 / 06



NOTE

FIG 122

PULLEY GROUP-WATER PUMP

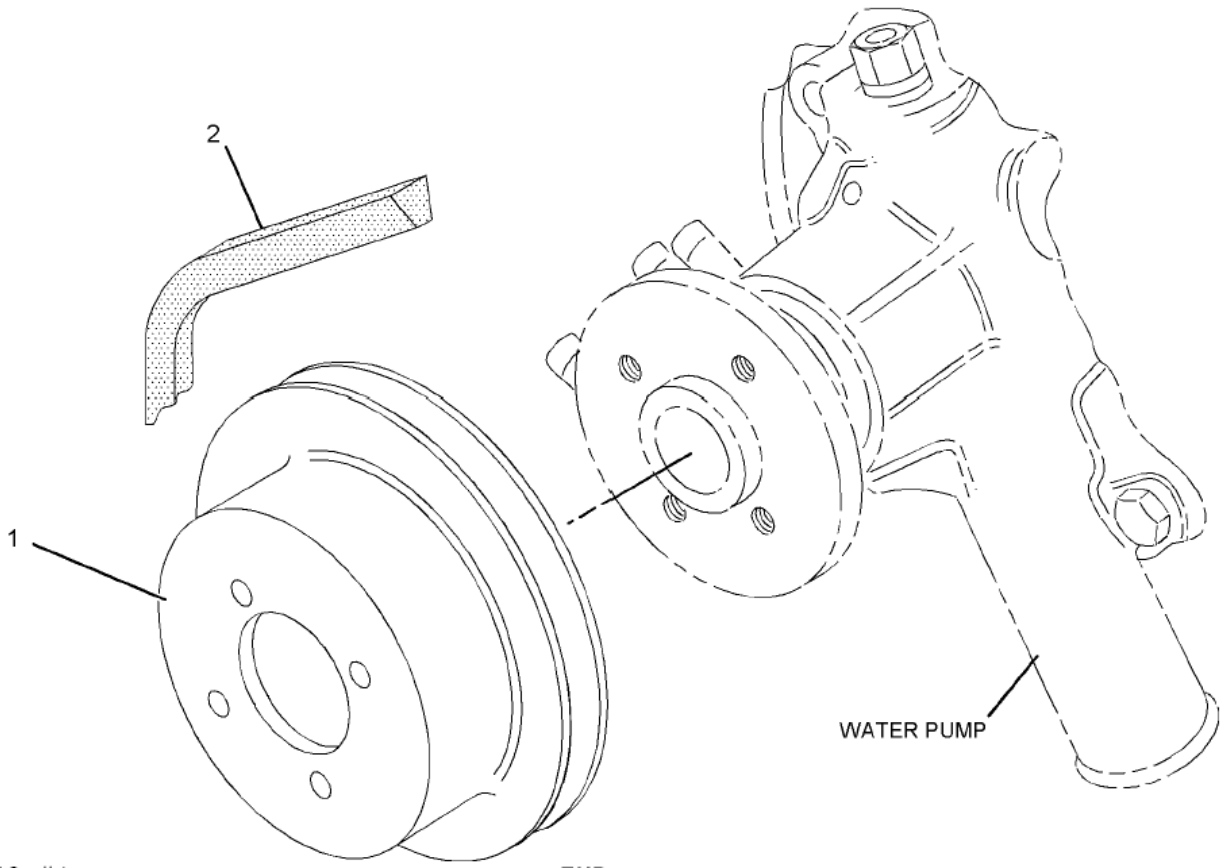
P1

Year / Month

2010 / 06



T503SH / T433NH



NOTE

FIG 123

SENSOR GROUP-TEMP & PRESS

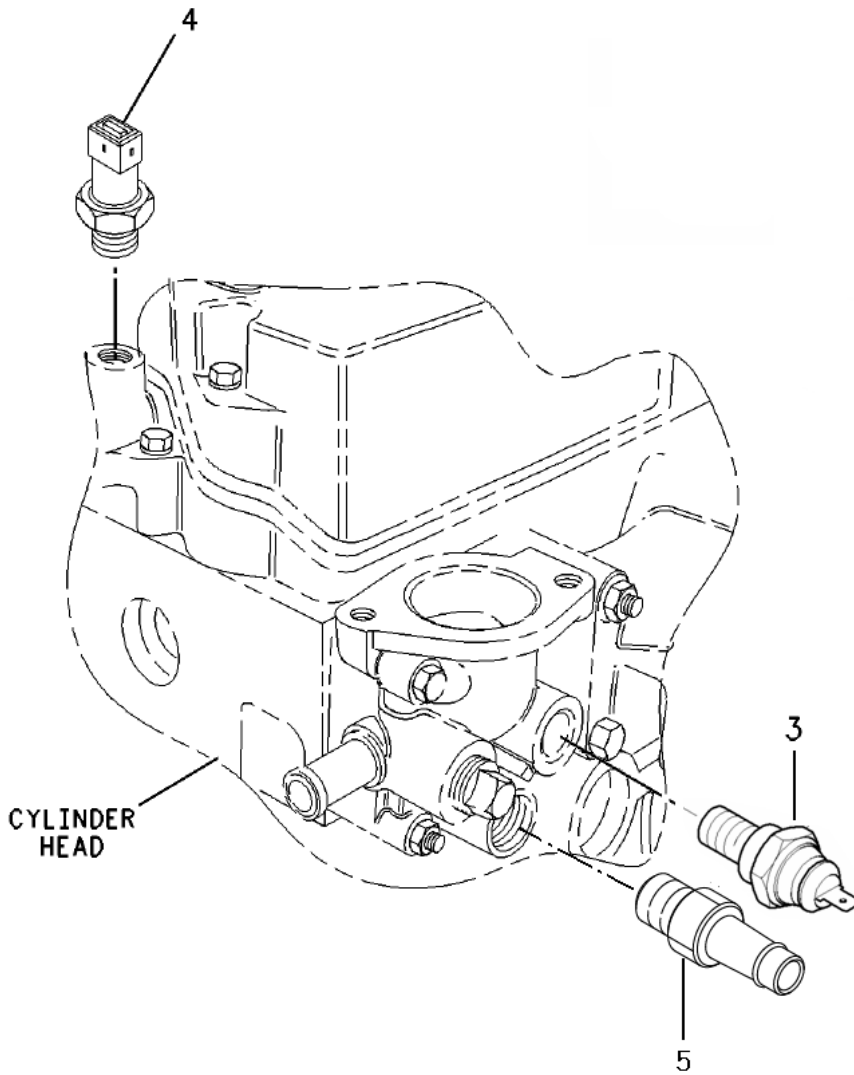
P1

Year / Month

2010 / 06



T503SH / T433NH



NOTE

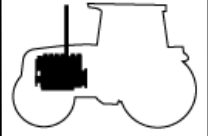
FIG 124

MANIFOLD GROUP-EXHAUST

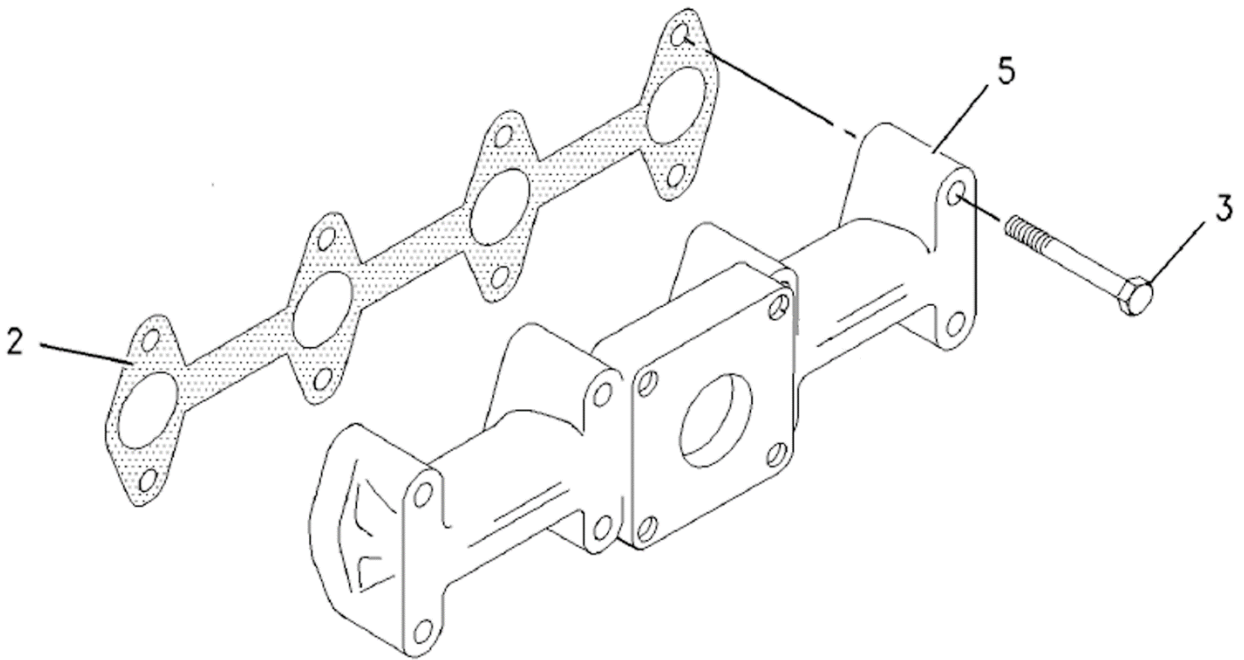
P1

Year / Month

2010 / 06



T503SH / T433NH



NOTE

FIG 126

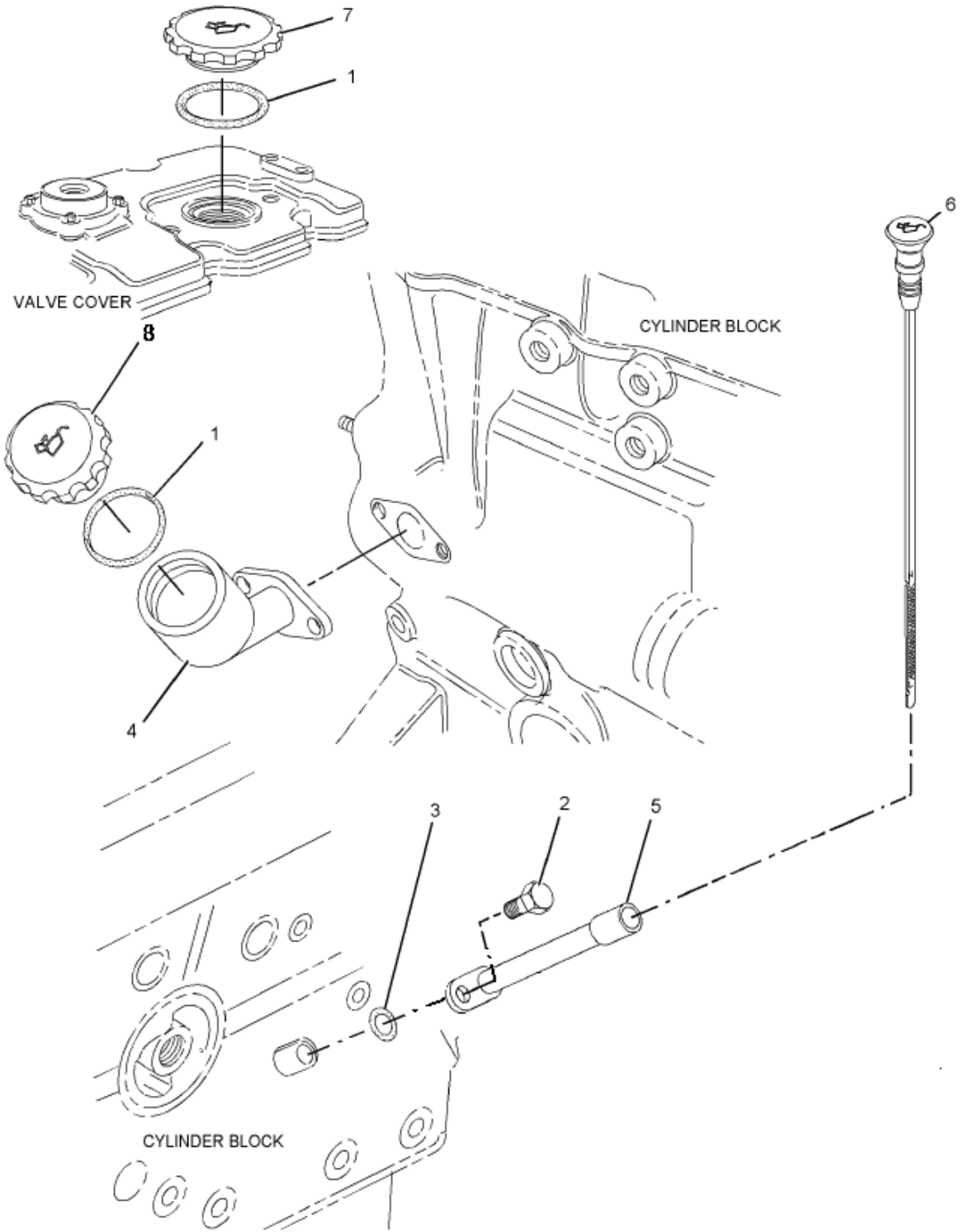
FILLER GROUP-ENGINE OIL

T503SH / T433NH

P1

Year / Month

2010 / 06



NOTE

FIG 127

MOUNTING GRP-ENGINE OIL FILLER

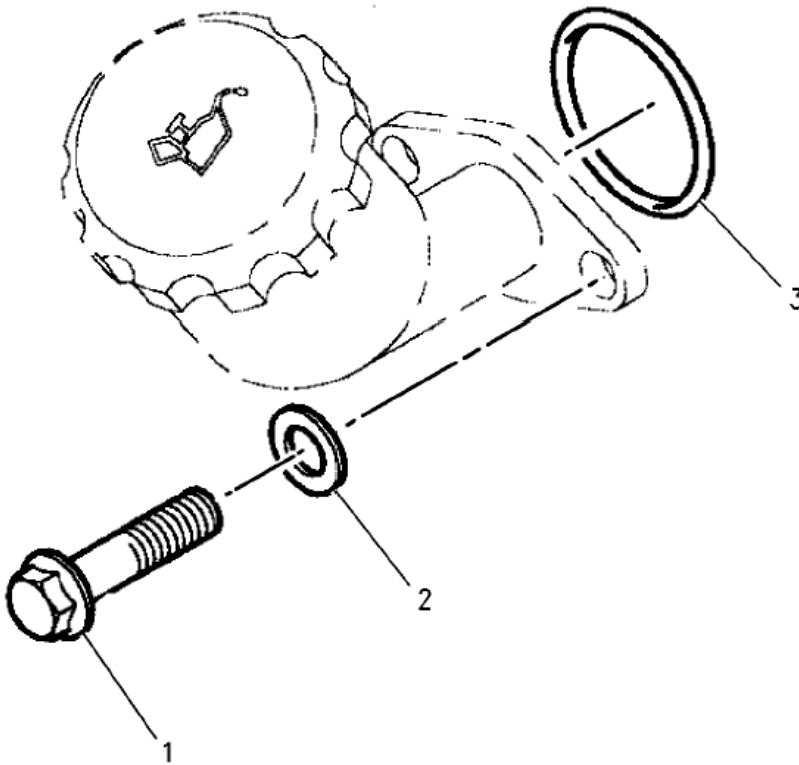
P1

Year / Month

2010 / 06



T503SH / T433NH



NOTE

FIG 129

ALTERNATOR GROUP-CHARGING

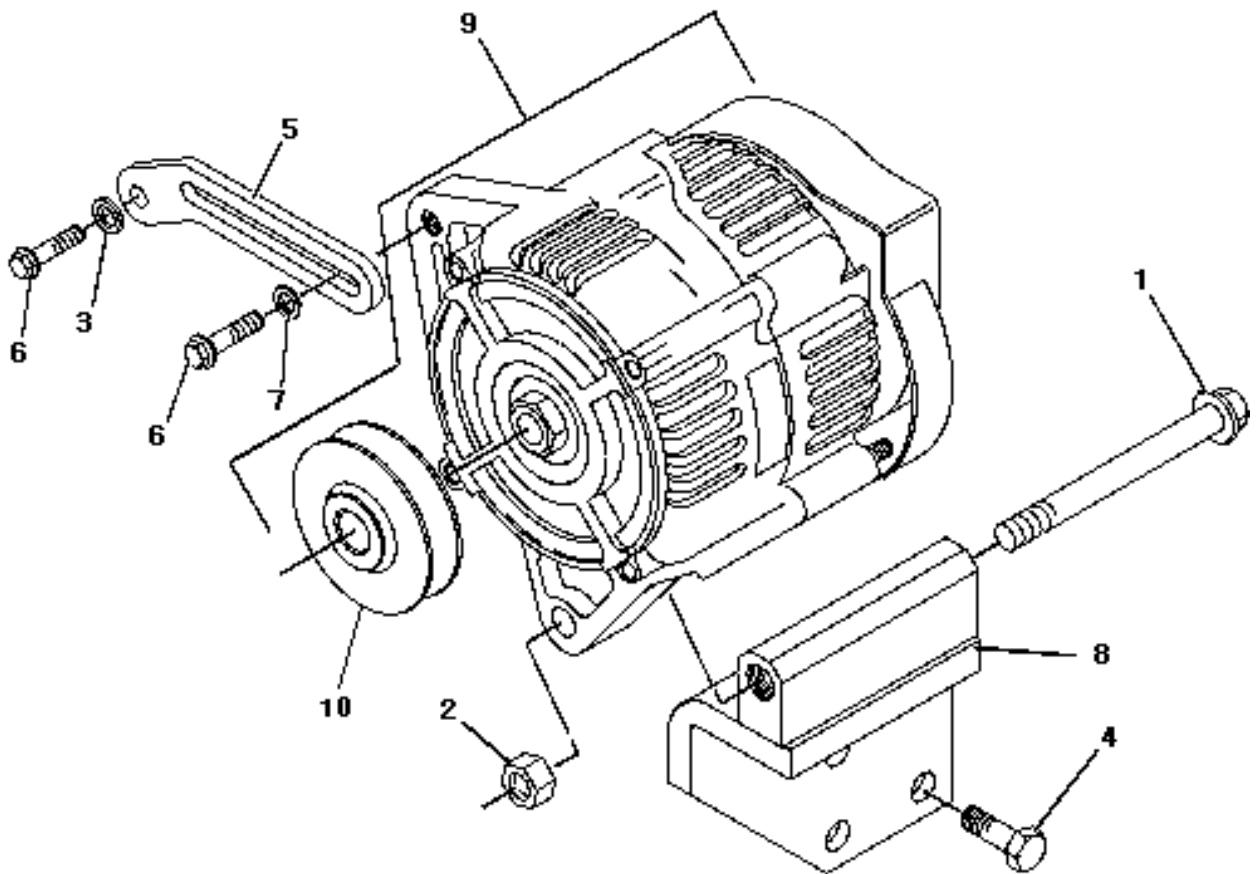
P1

Year / Month

2010 / 06



T503SH / T433NH



NOTE

FIG 130

STARTING MOTOR GRP-ELECTRIC

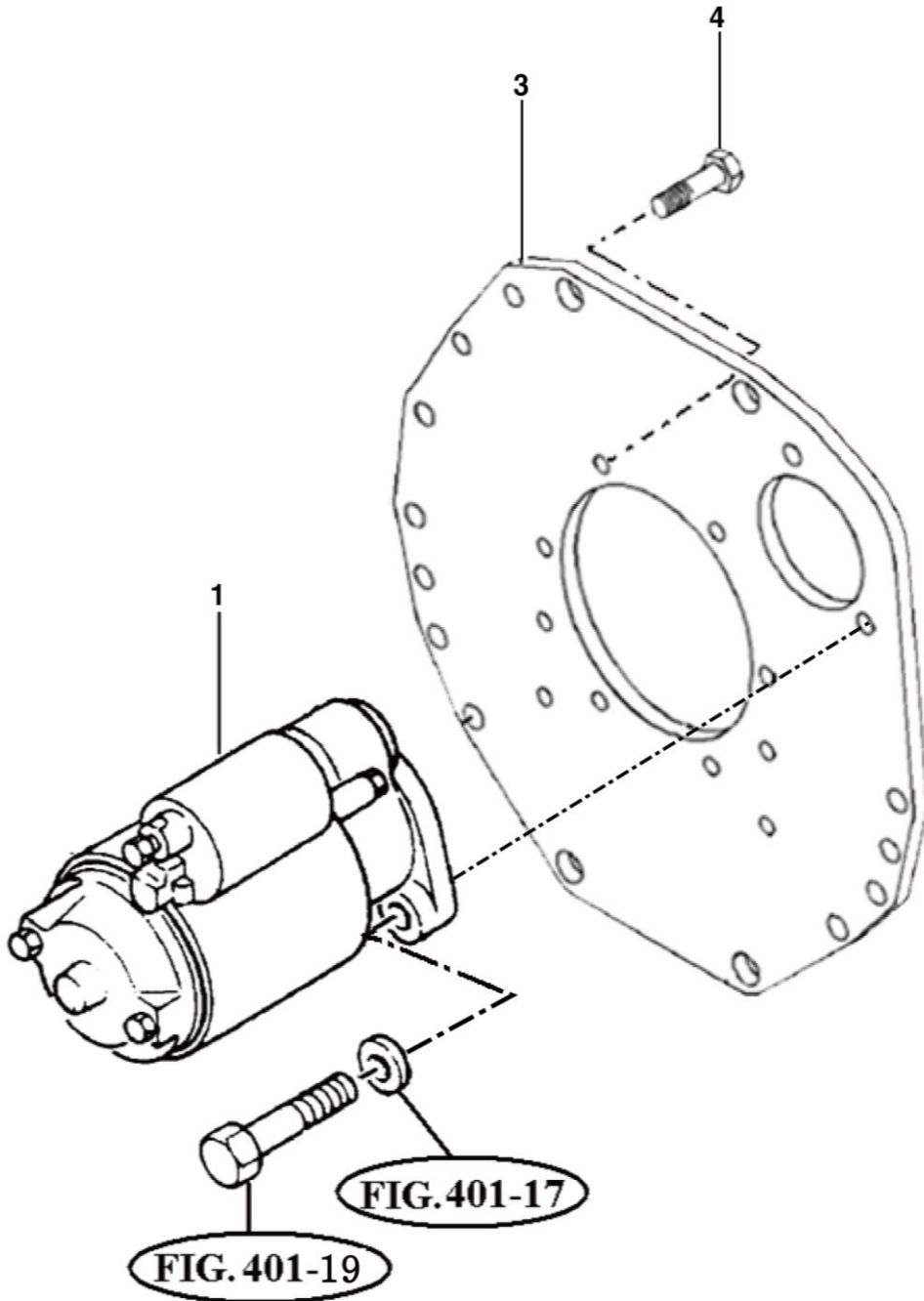
P1

Year / Month

2010 / 06



T503SH / T433NH



NOTE

FIG 131

LIFTING GROUP-ENGINE

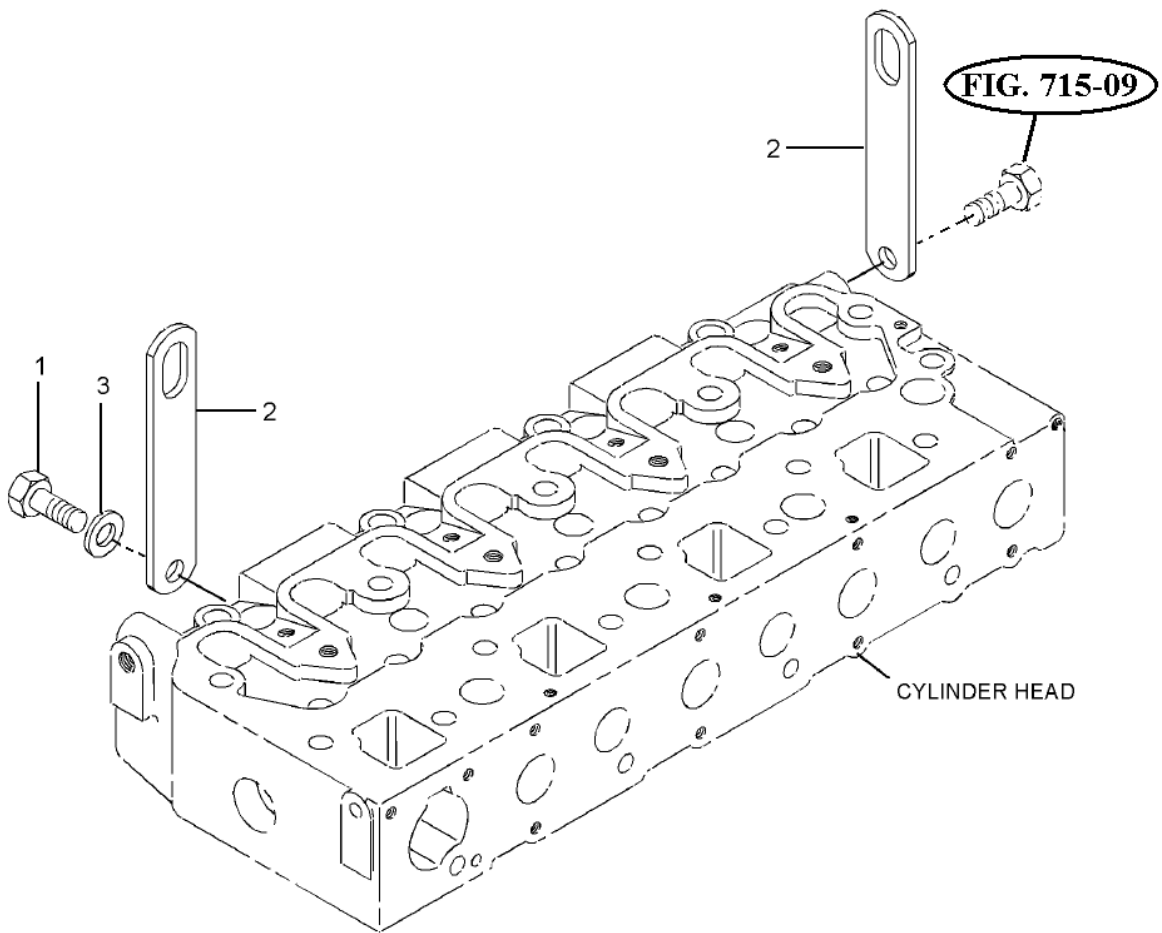
P1

Year / Month

2010 / 06



T503SH / T433NH



NOTE

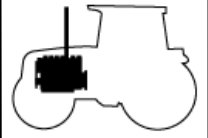
FIG 132

FILTER & LINES GROUP-FUEL

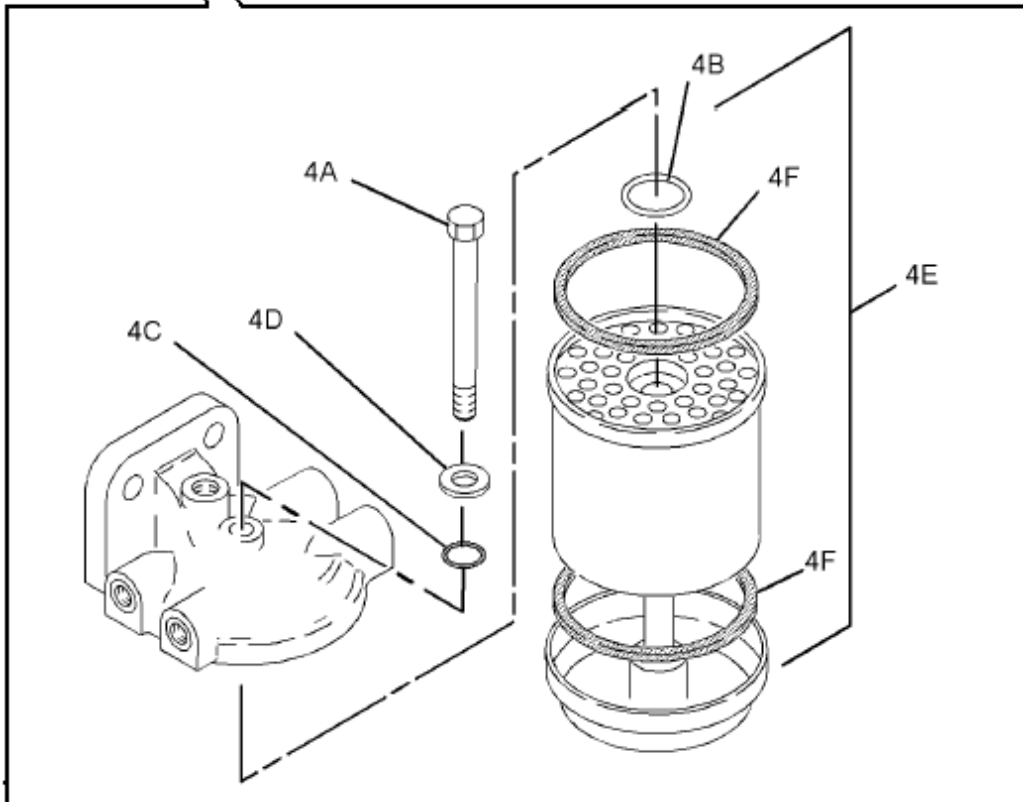
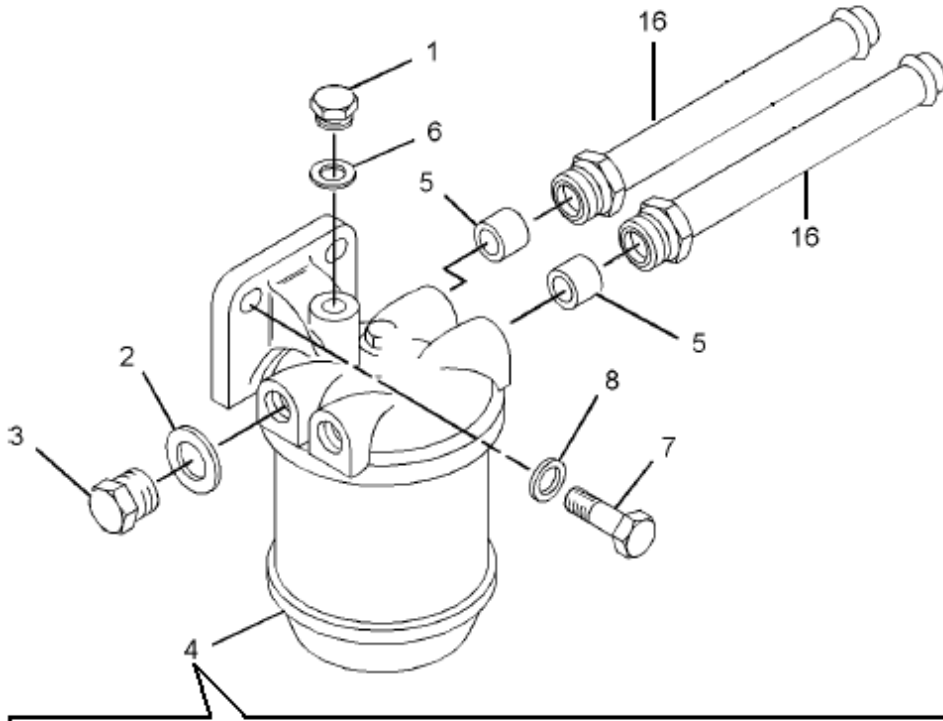
P1

Year / Month

2010 / 06



T503SH / T433NH



NOTE

FIG 133

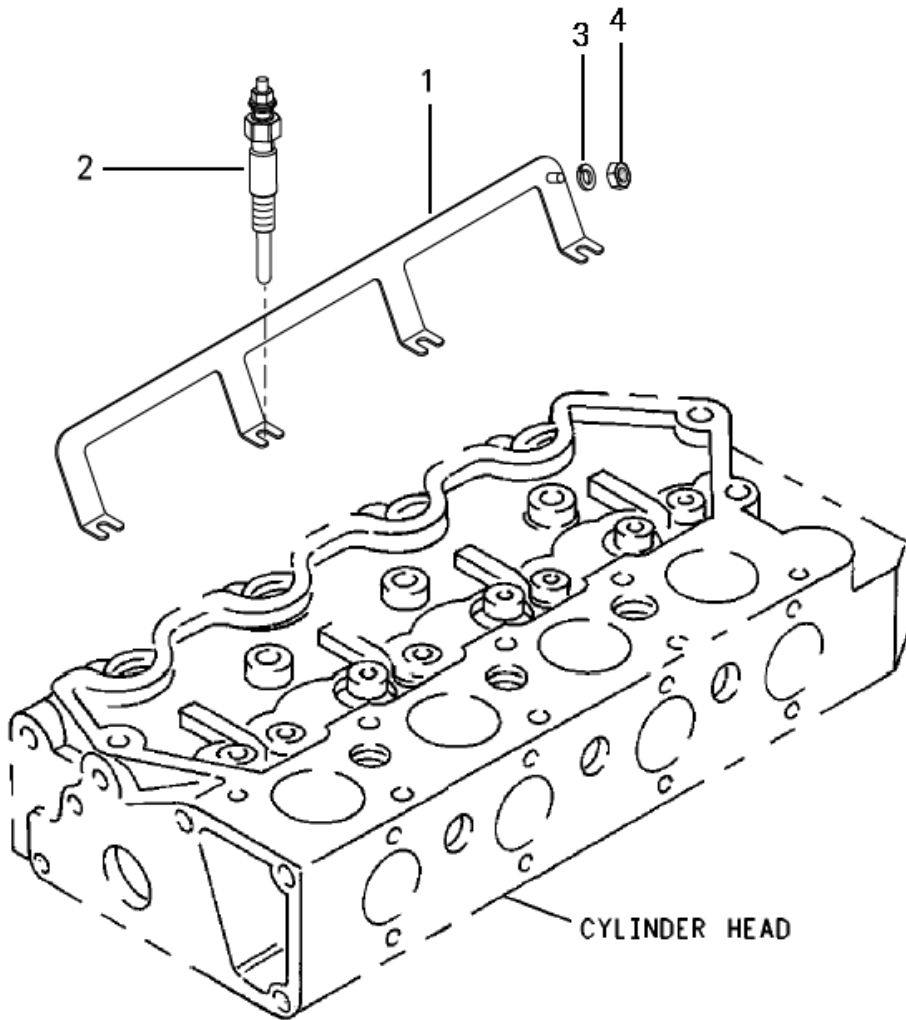
GLOW PLUG GROUP

T503SH / T433NH

P1

Year / Month

2010 / 06



NOTE