

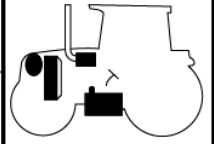
FIG 201

AIR CLEANER

P1

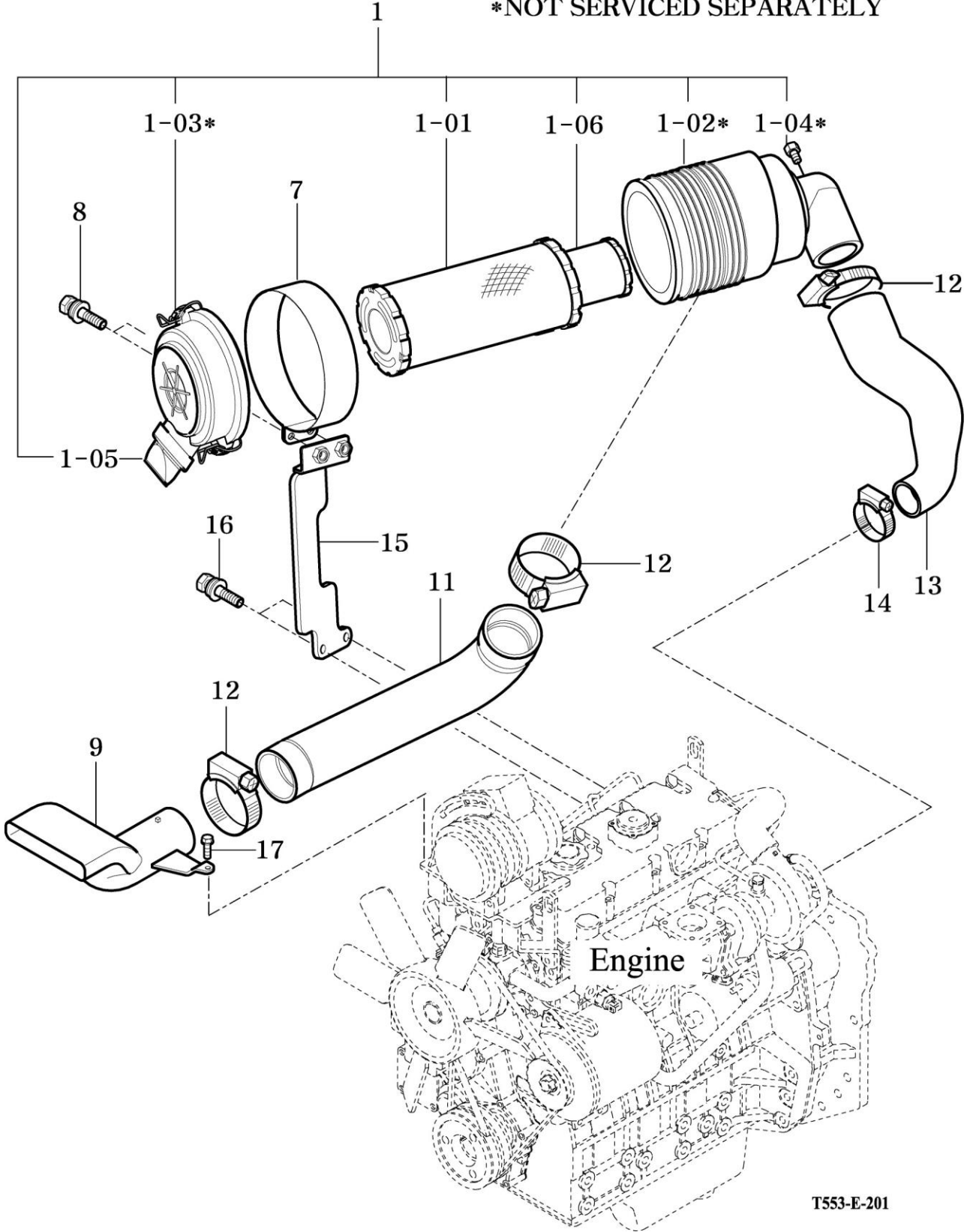
Year / Month

2010 / 06



T503SH / T433NH

\*NOT SERVICED SEPARATELY



T553-E-201

NOTE

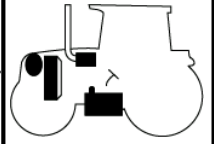
FIG 202

# RADIATOR

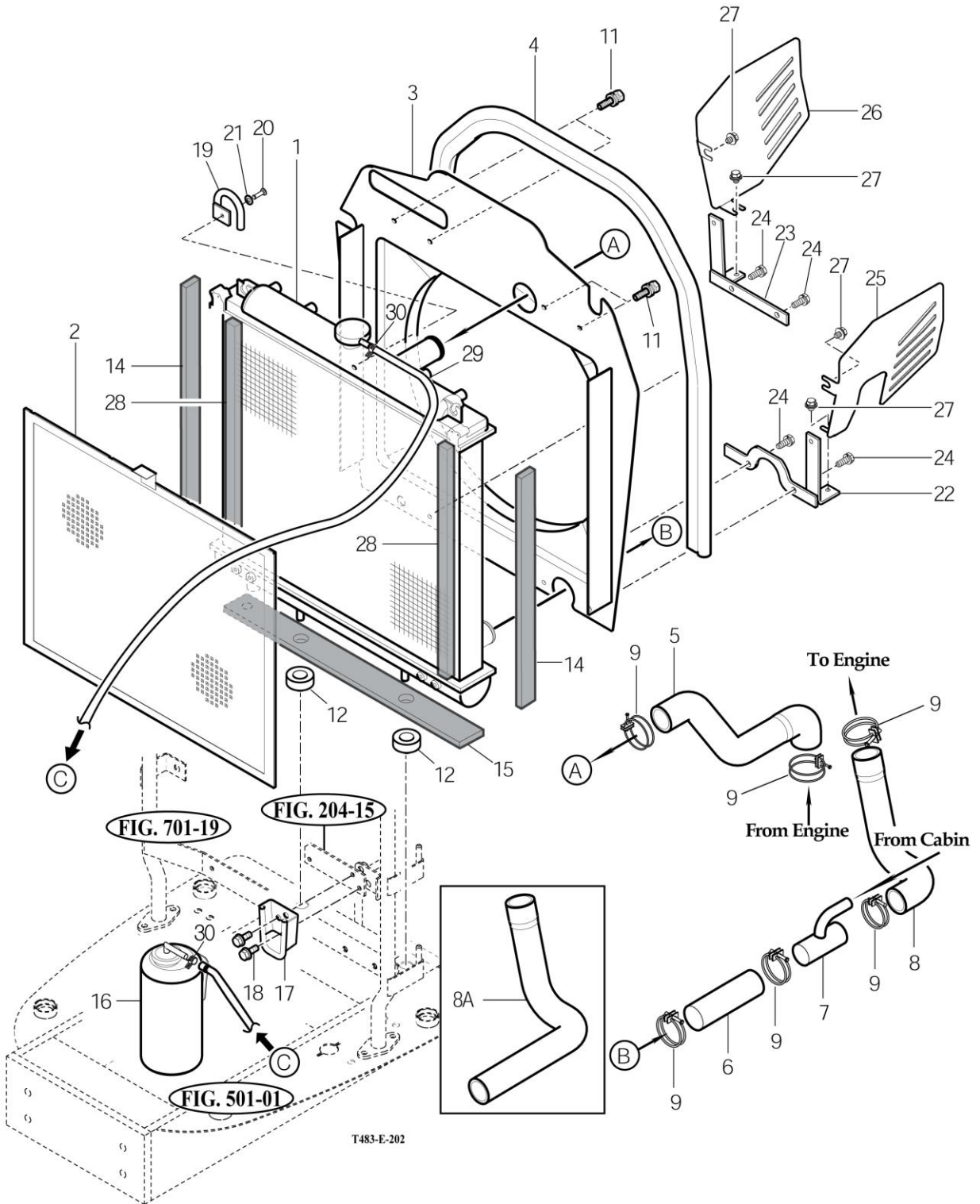
P1

Year / Month

2010 / 06



T503SH / T433NH



NOTE

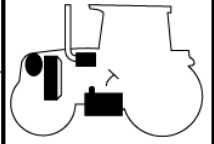
FIG 203

MUFFLER

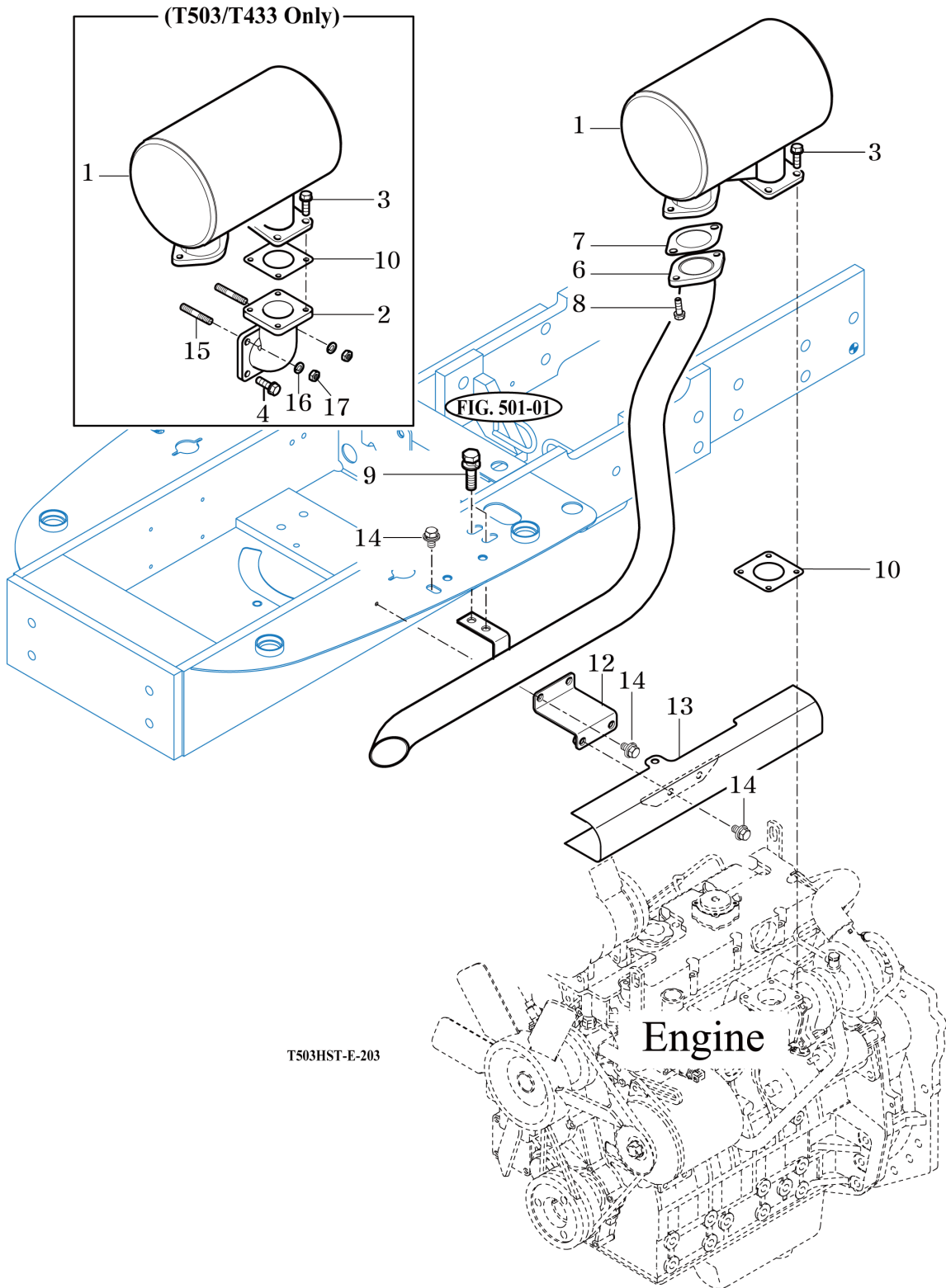
P1

Year / Month

2010 / 06



T503SH / T433NH



NOTE

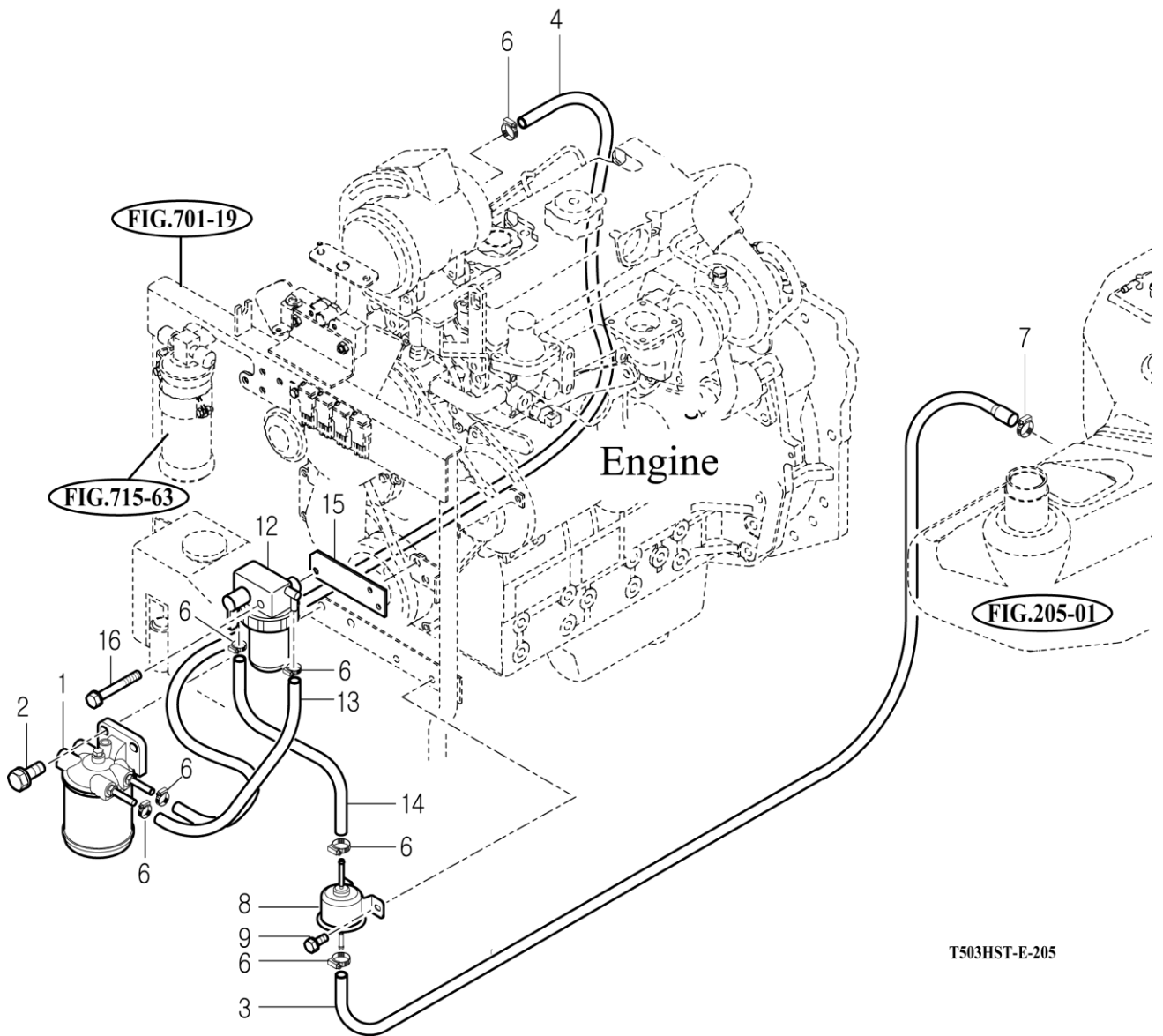
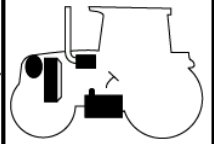
FIG 204

FUEL HOSE & FILTER

P1

Year / Month

2010 / 06



T503HST-E-205

NOTE

# FIG 205

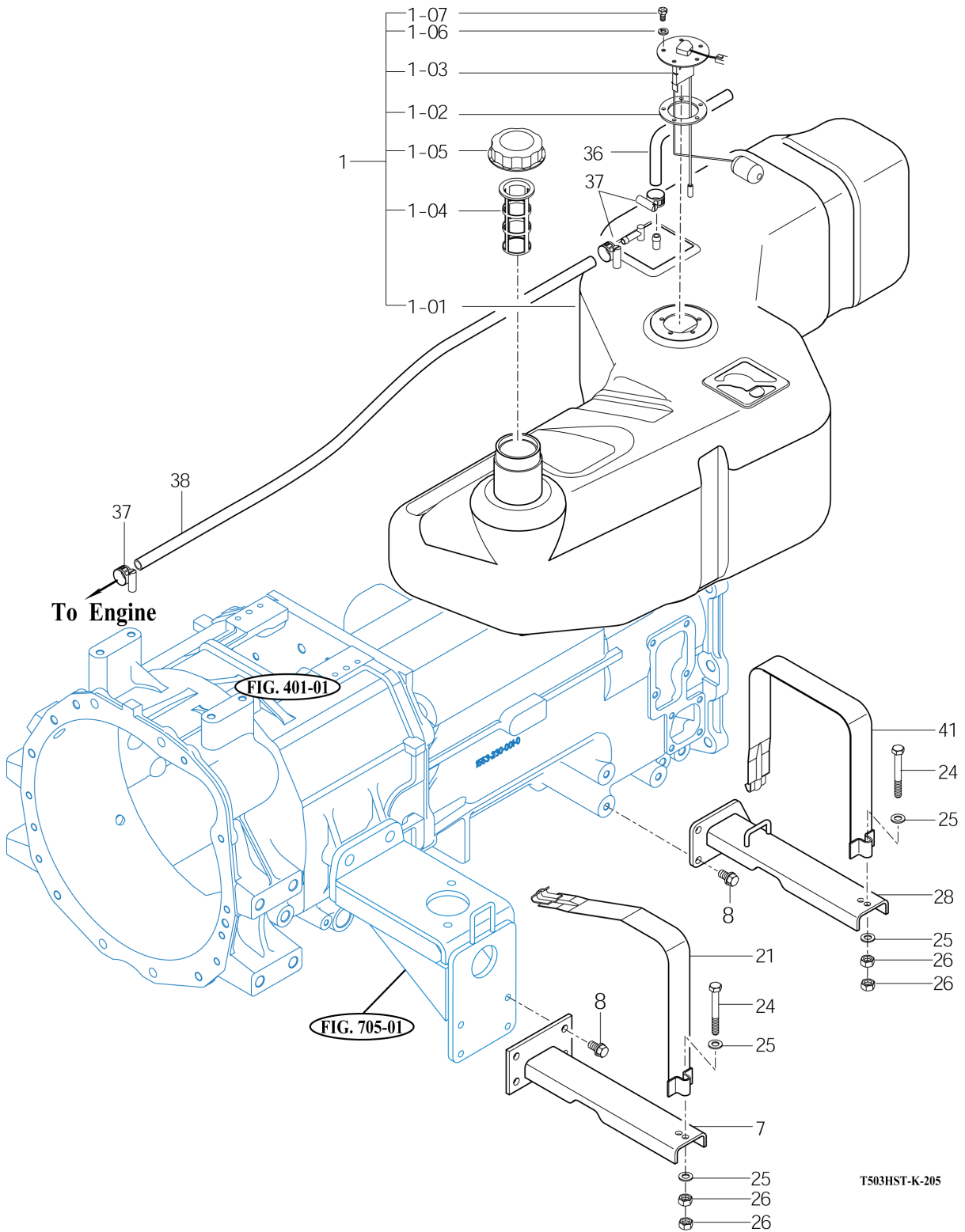
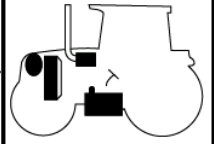
# FUEL TANK

T503SH / T433NH

P1

Year / Month

2010 / 06



NOTE



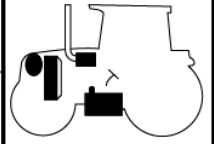
FIG 206

ACCELERATOR

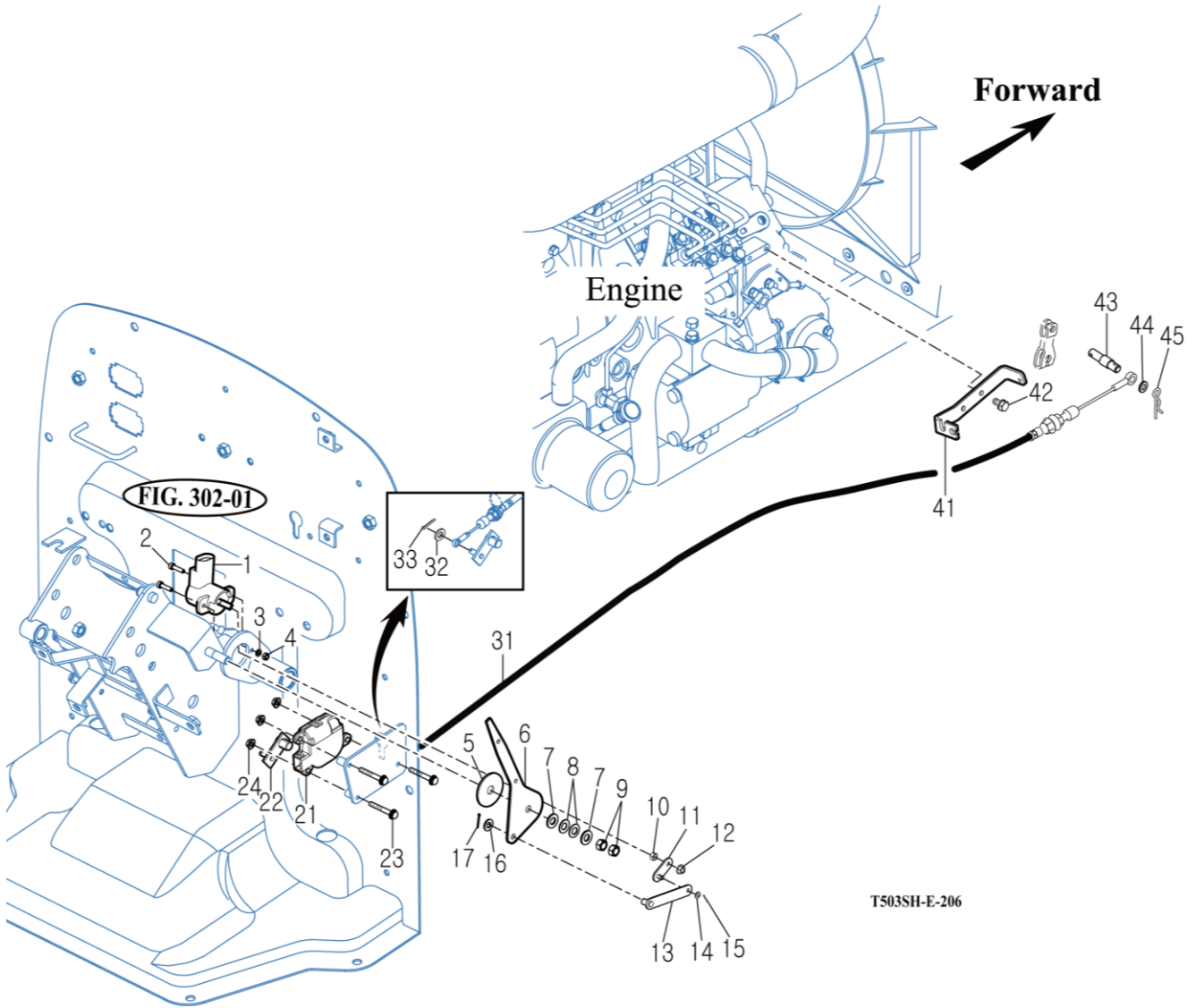
P1

Year / Month

2010 / 06



T503SH / T433NH



T503SH-E-206

NOTE

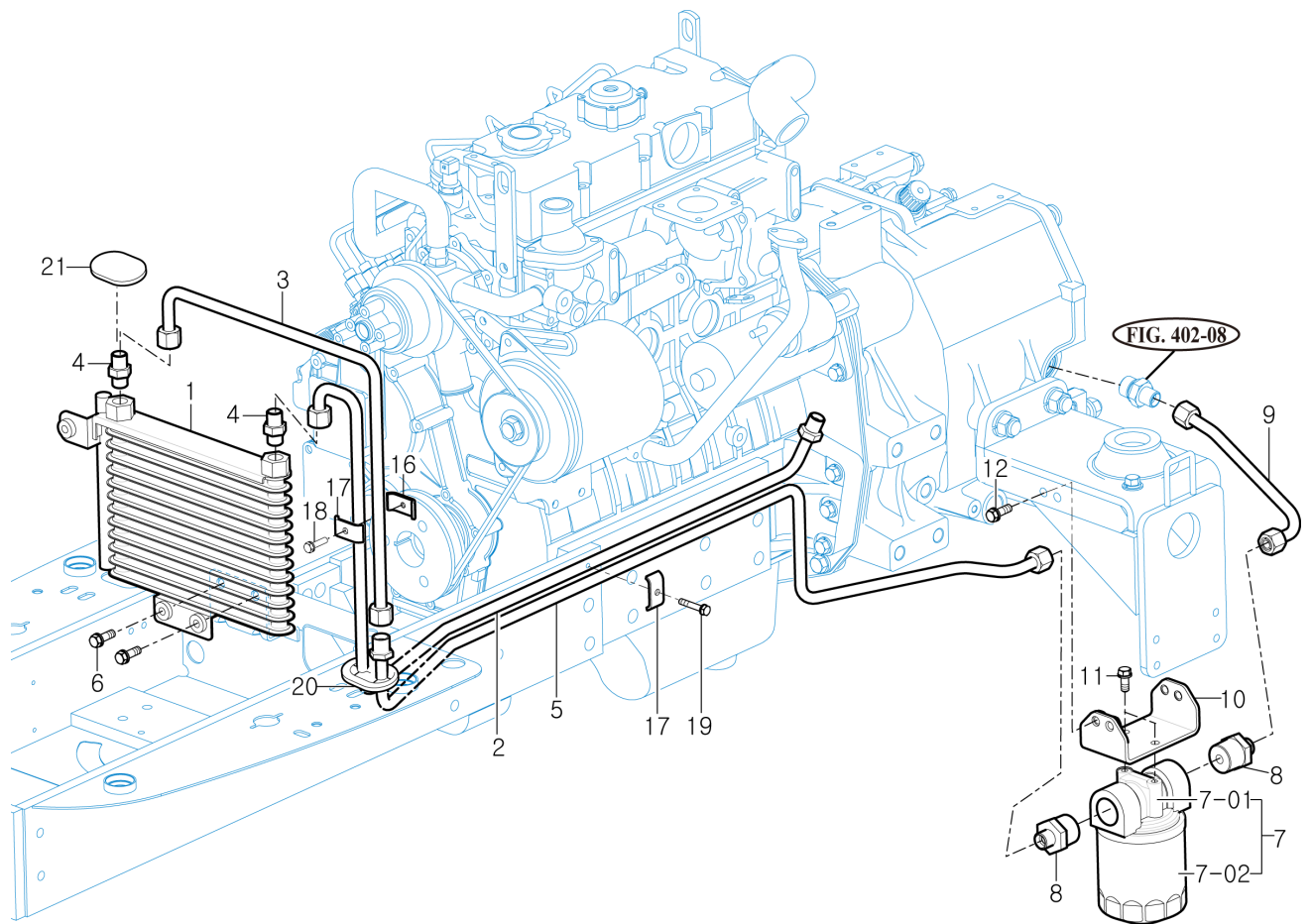
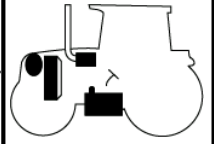
FIG 207

# OIL COOLER

P1

Year / Month

2010 / 06



NOTE