

FIG 401

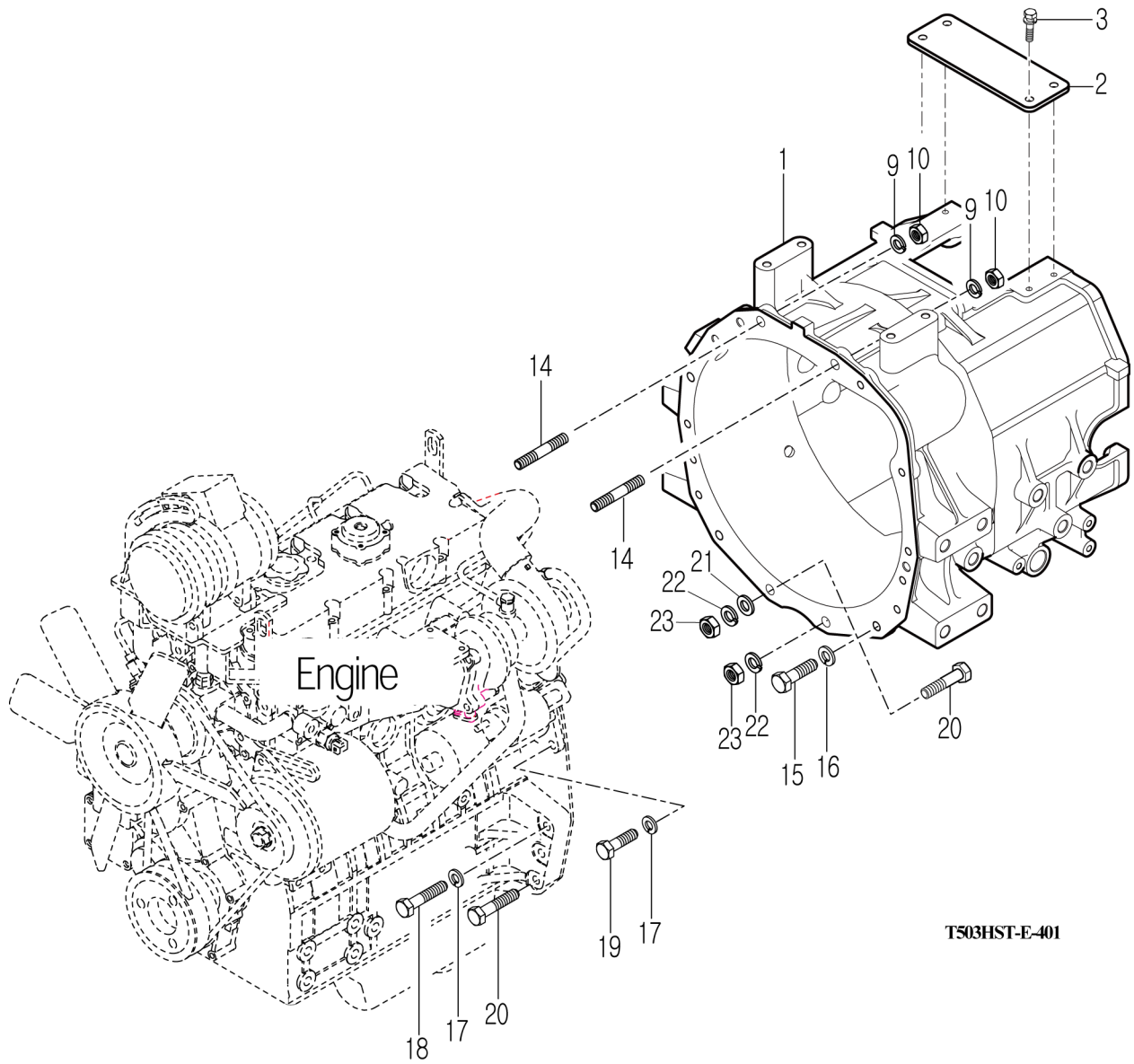
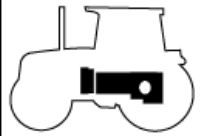
TRANSMISSION FRONT CASE

T503SH / T433NH

P1

Year / Month

2010 / 06



T503HST-E-401

NOTE

FIG 402

T503SH / T433NH

HST

P1

Year / Month

2010 / 06

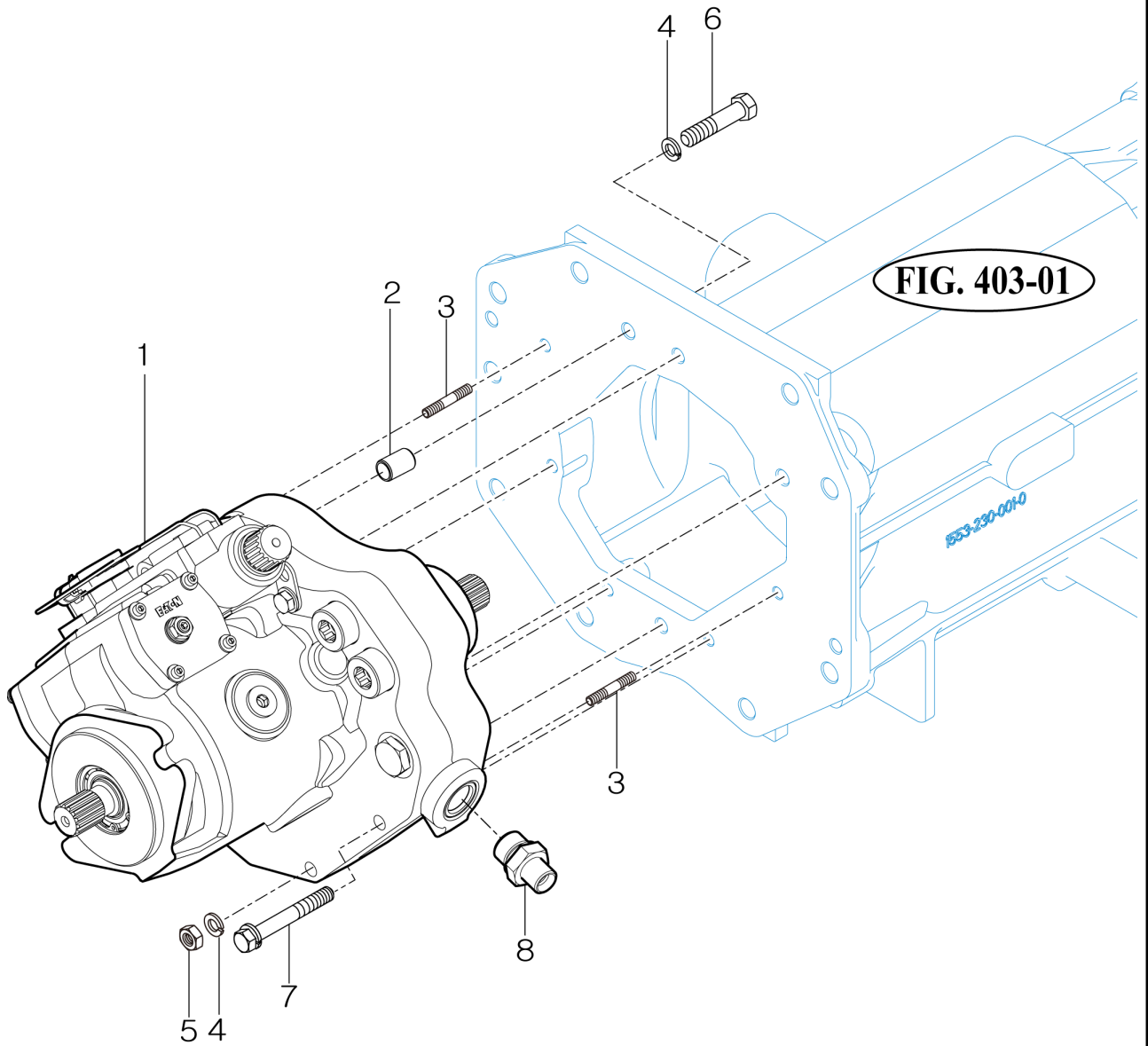
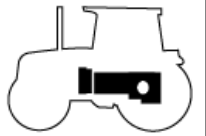


FIG. 403-01

T503HST-E-402

NOTE

FIG 403

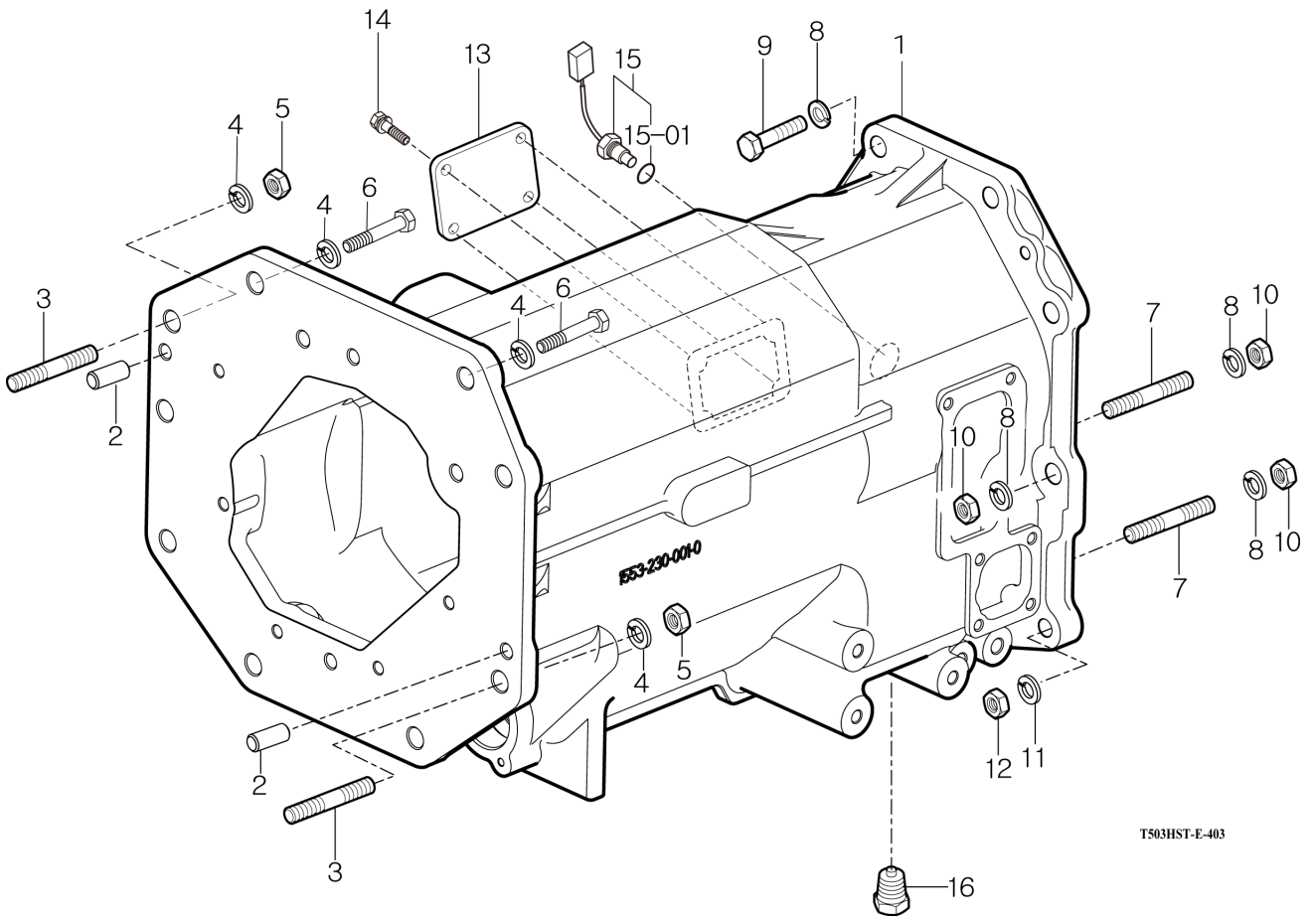
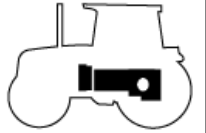
MID TRANSMISSION CASE

T503SH / T433NH

P1

Year / Month

2010 / 06



T503HST-E-403

NOTE

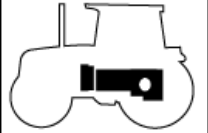
FIG 404

REVERSE GEARS

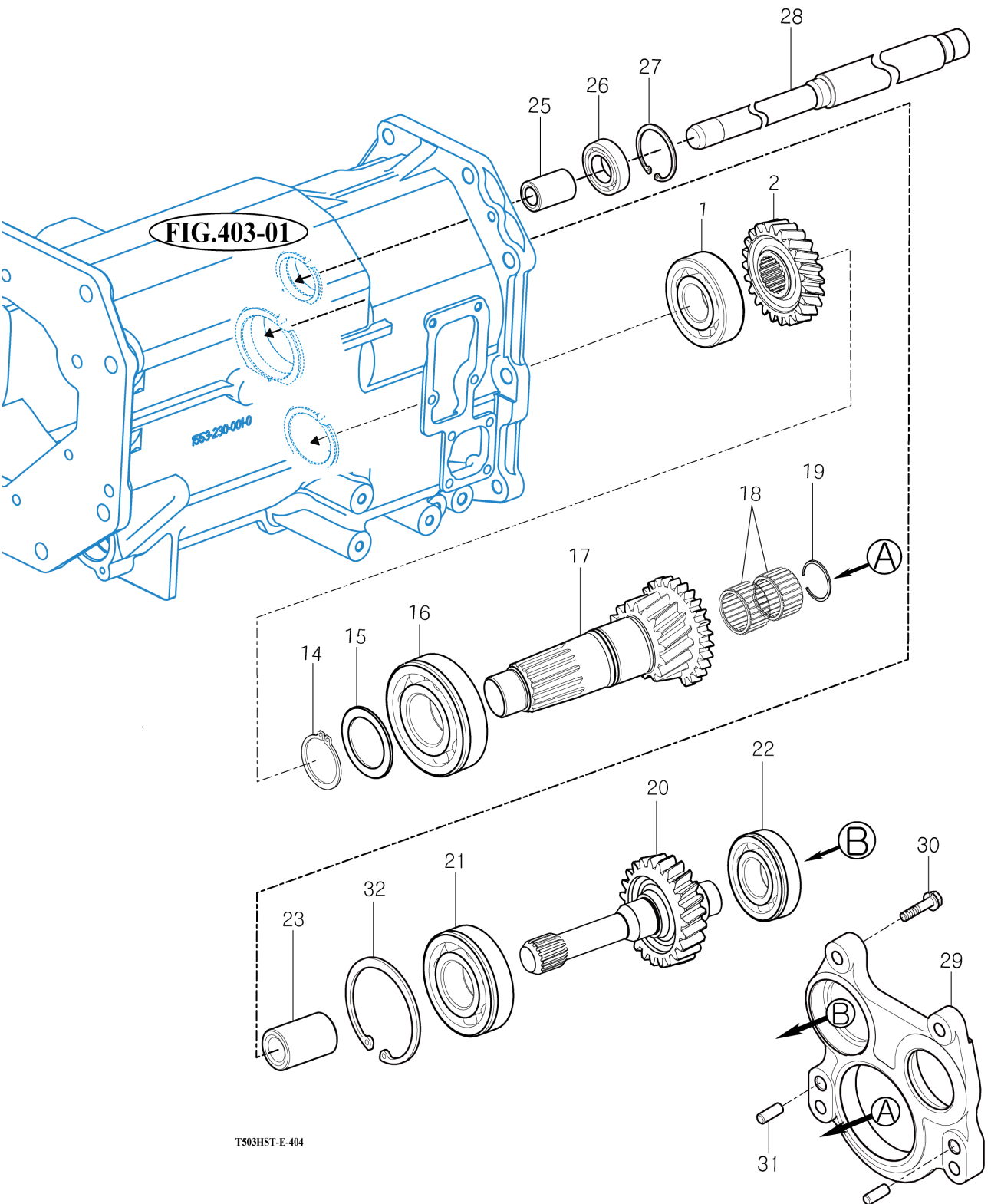
P1

Year / Month

2010 / 06



T503SH / T433NH



T503HST-E-404

NOTE

FIG 405

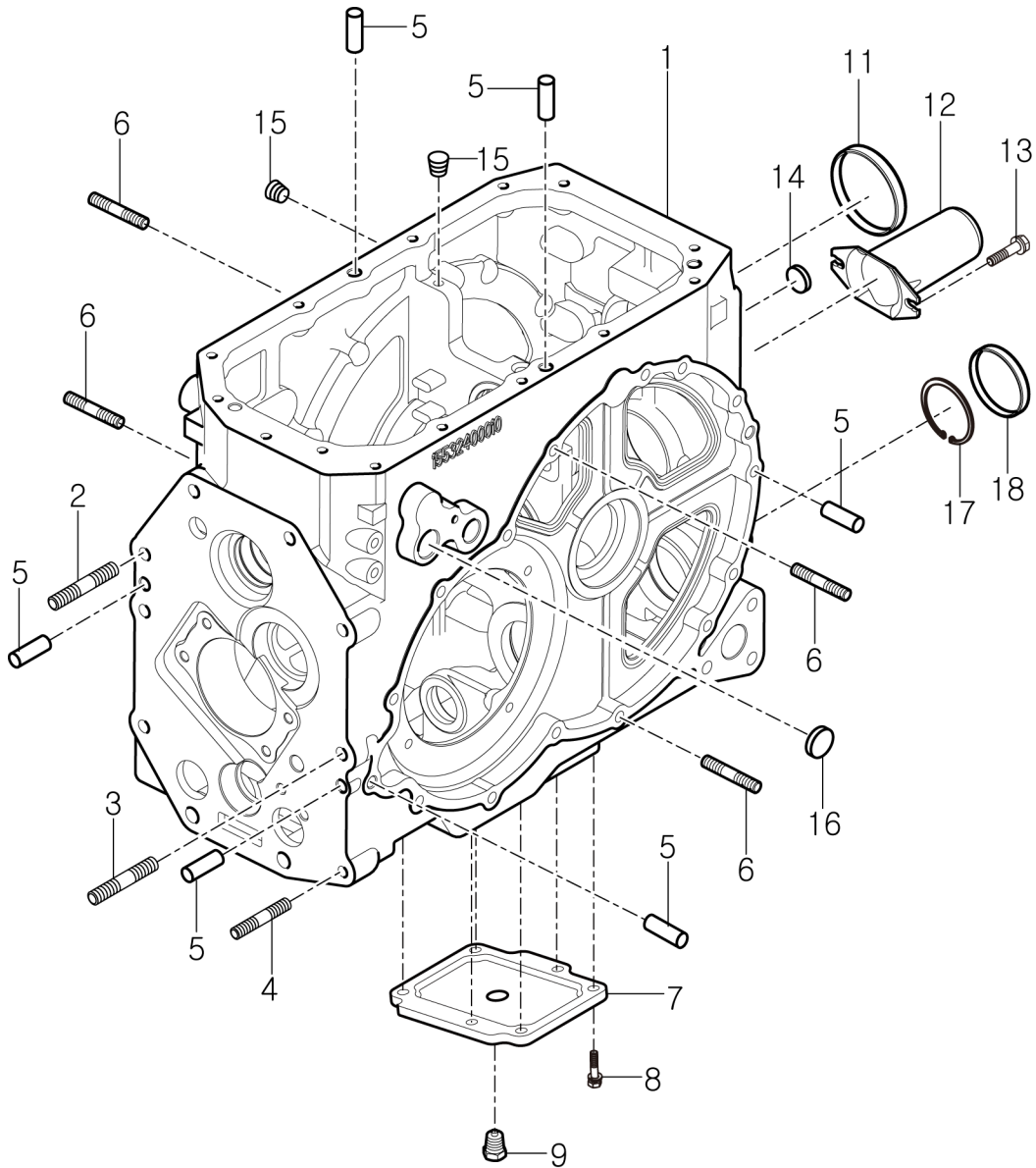
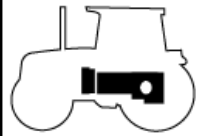
TRANSMISSION REAR CASE

T503SH / T433NH

P1

Year / Month

2010 / 06



T503HST-E-405

NOTE

FIG 406

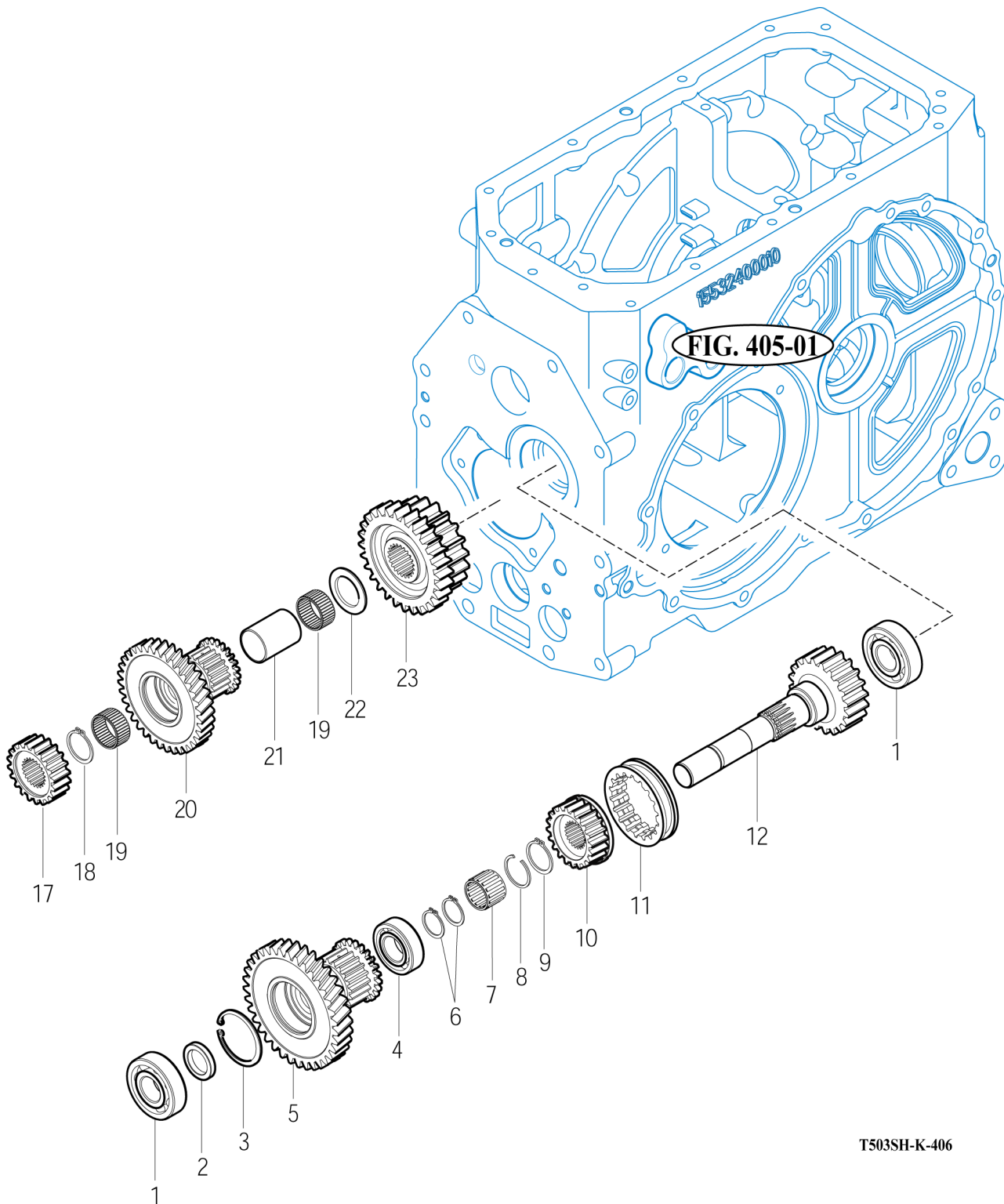
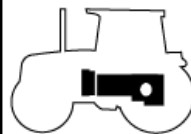
SUB CHANGE GEARS

T503SH / T433NH

P1

Year / Month

2010 / 06



T503SH-K-406

NOTE

FIG 407

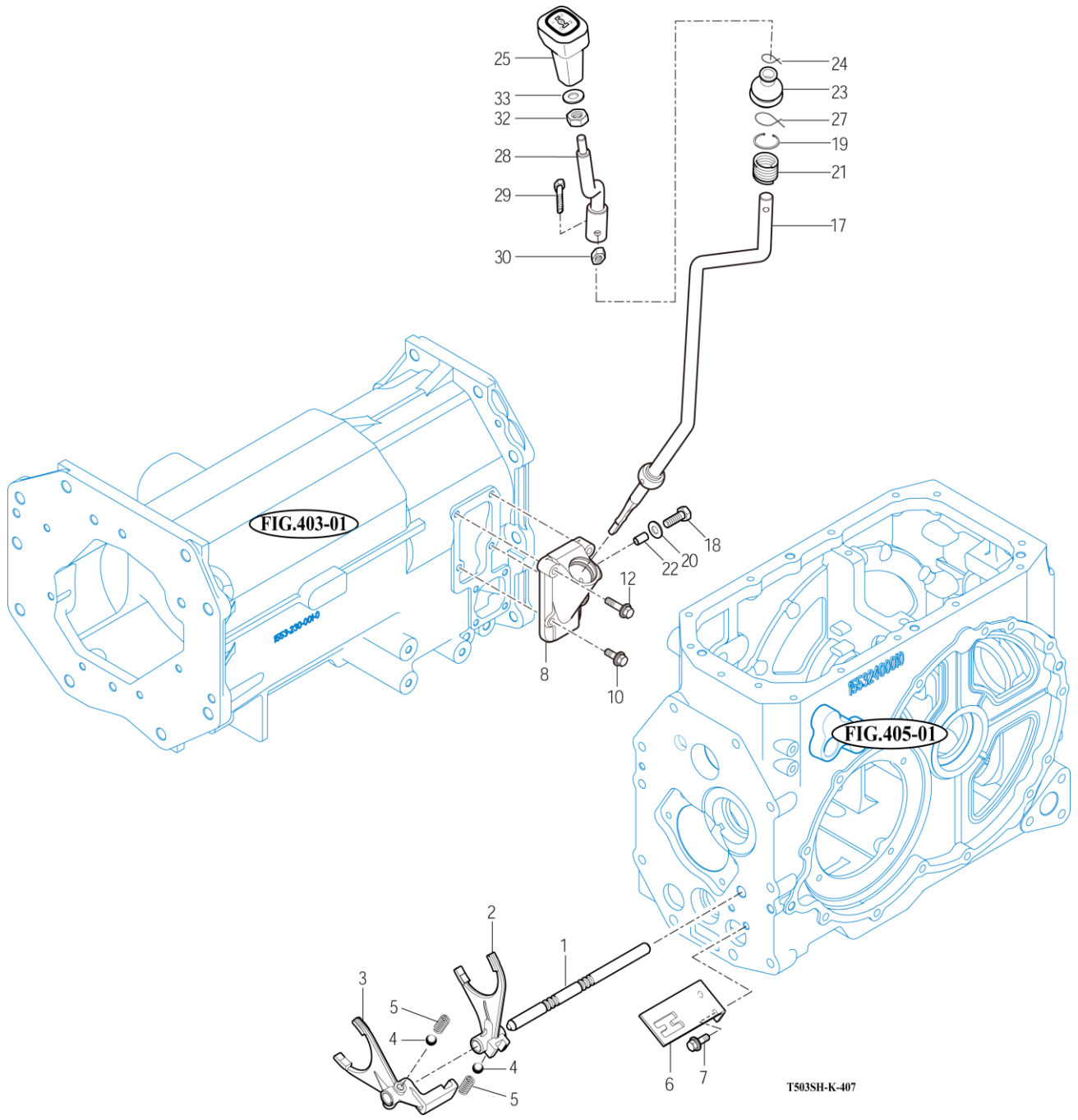
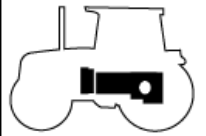
SUB CHANGE SHIFTER

T503SH / T433NH

P1

Year / Month

2010 / 06



NOTE

FIG 408

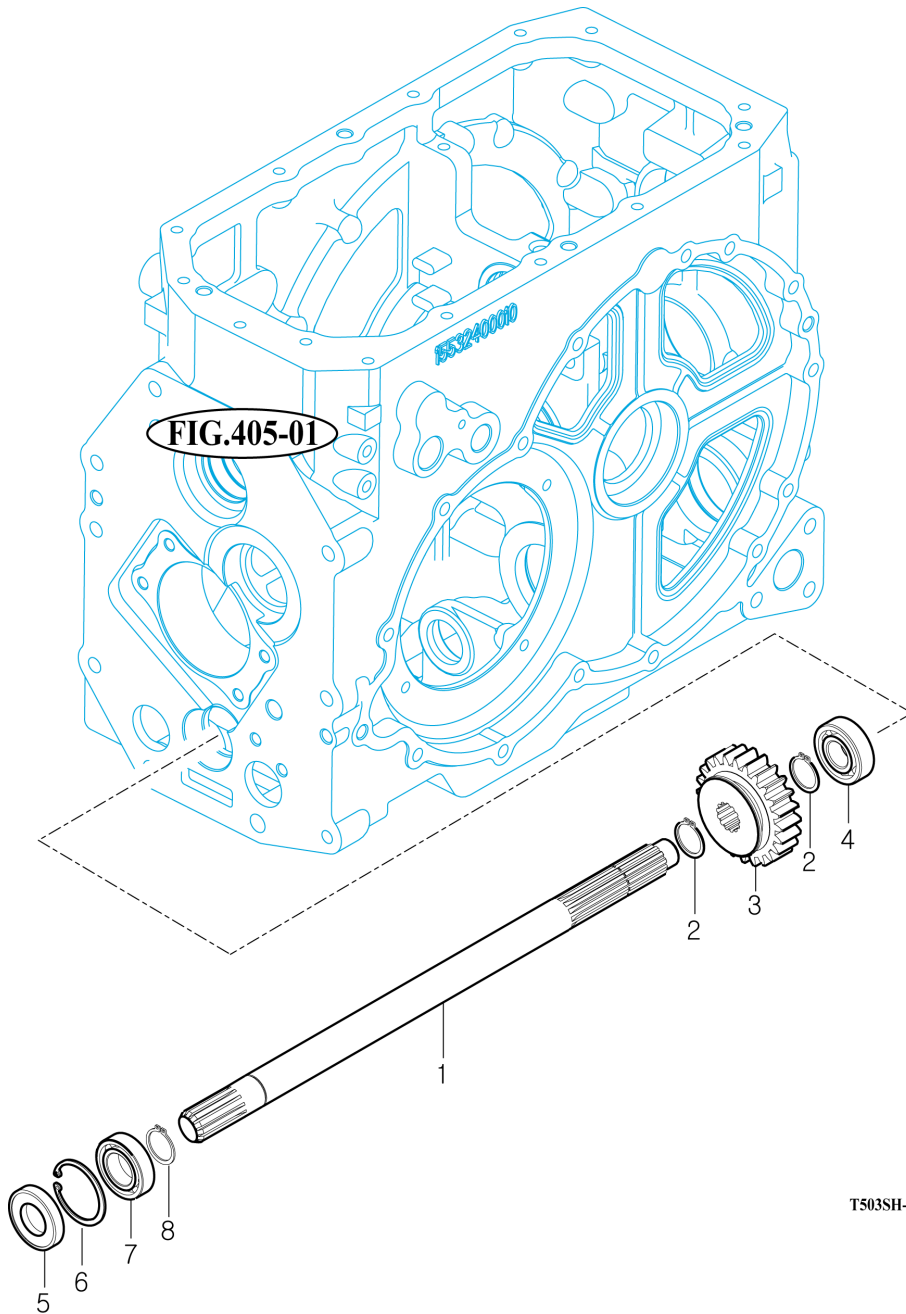
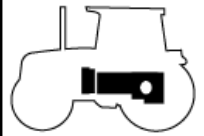
DRIVE GEARS

T503SH / T433NH

P1

Year / Month

2010 / 06



T503SH-k-408

NOTE

FIG 409

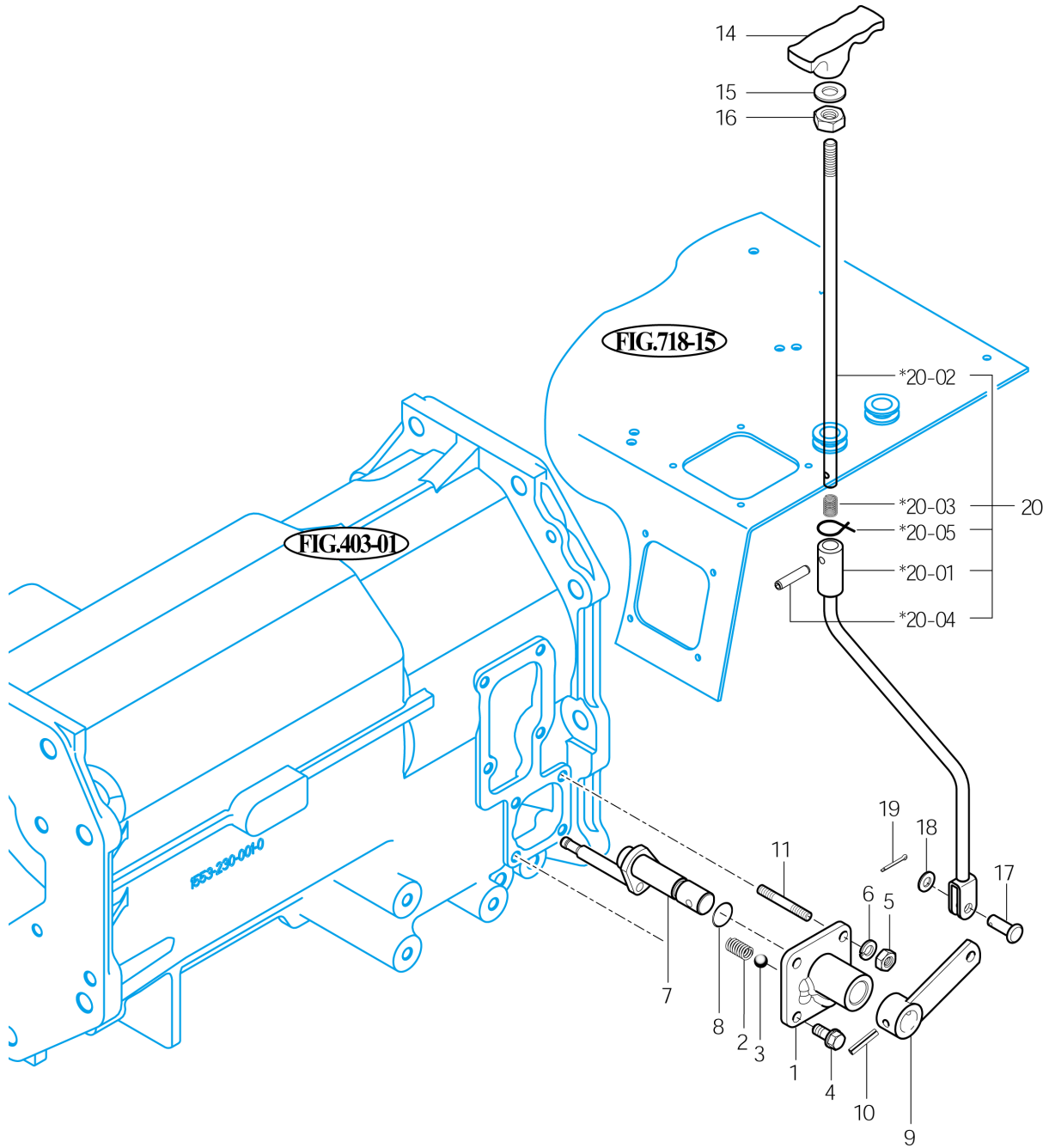
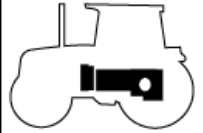
T503SH / T433NH

4WD CHANGE LEVER

P1

Year / Month

2010 / 06



*NOT SERVICED SEPARATELY

T503SH-E-409

NOTE

FIG 410

P.T.O DRIVE SHAFT

T503SH / T433NH

P1

Year / Month

2010 / 06

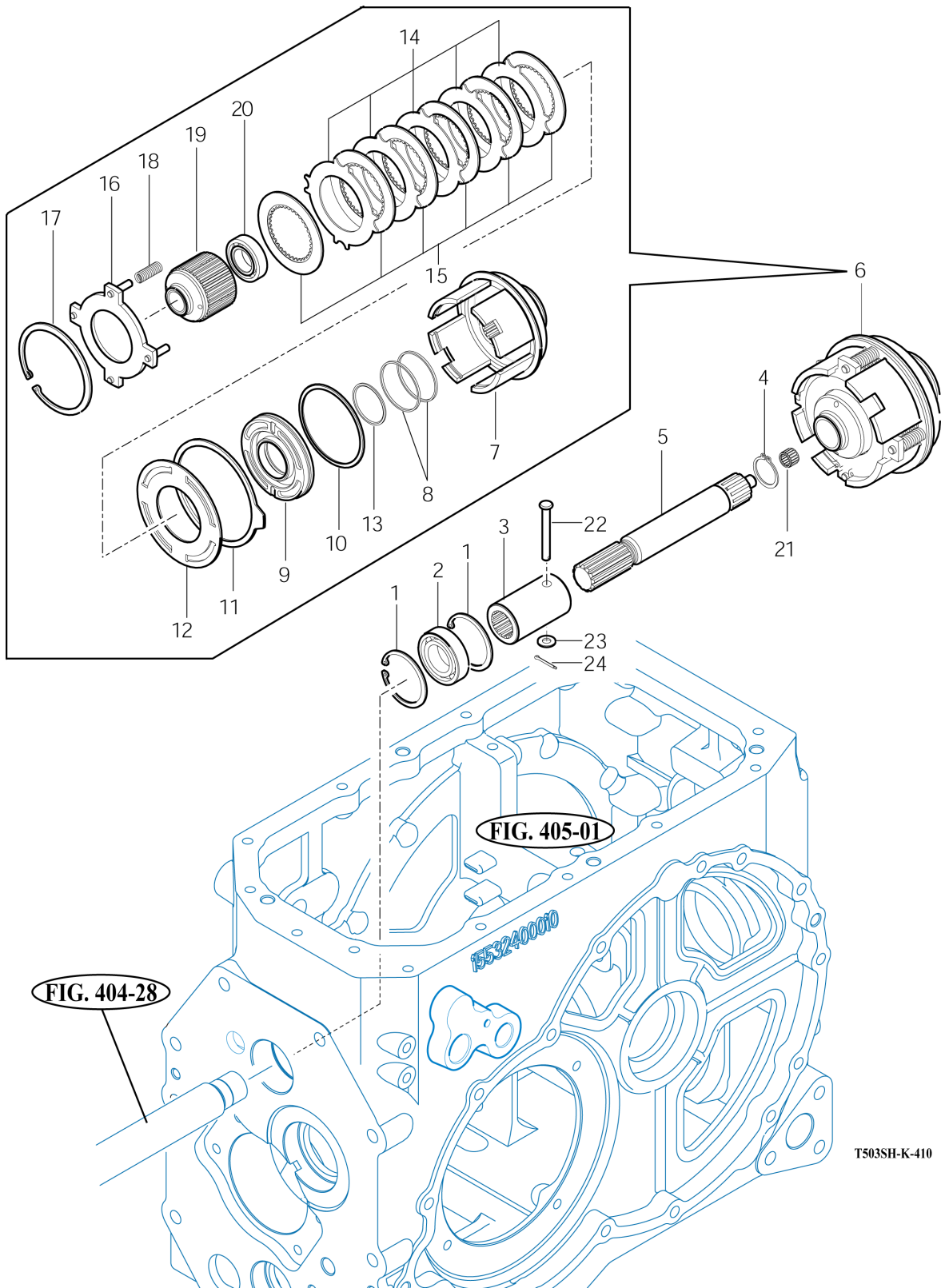
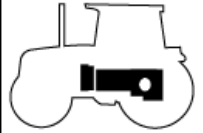


FIG. 404-28

FIG. 405-01

153240000

T503SH-K-410

NOTE

FIG 411A

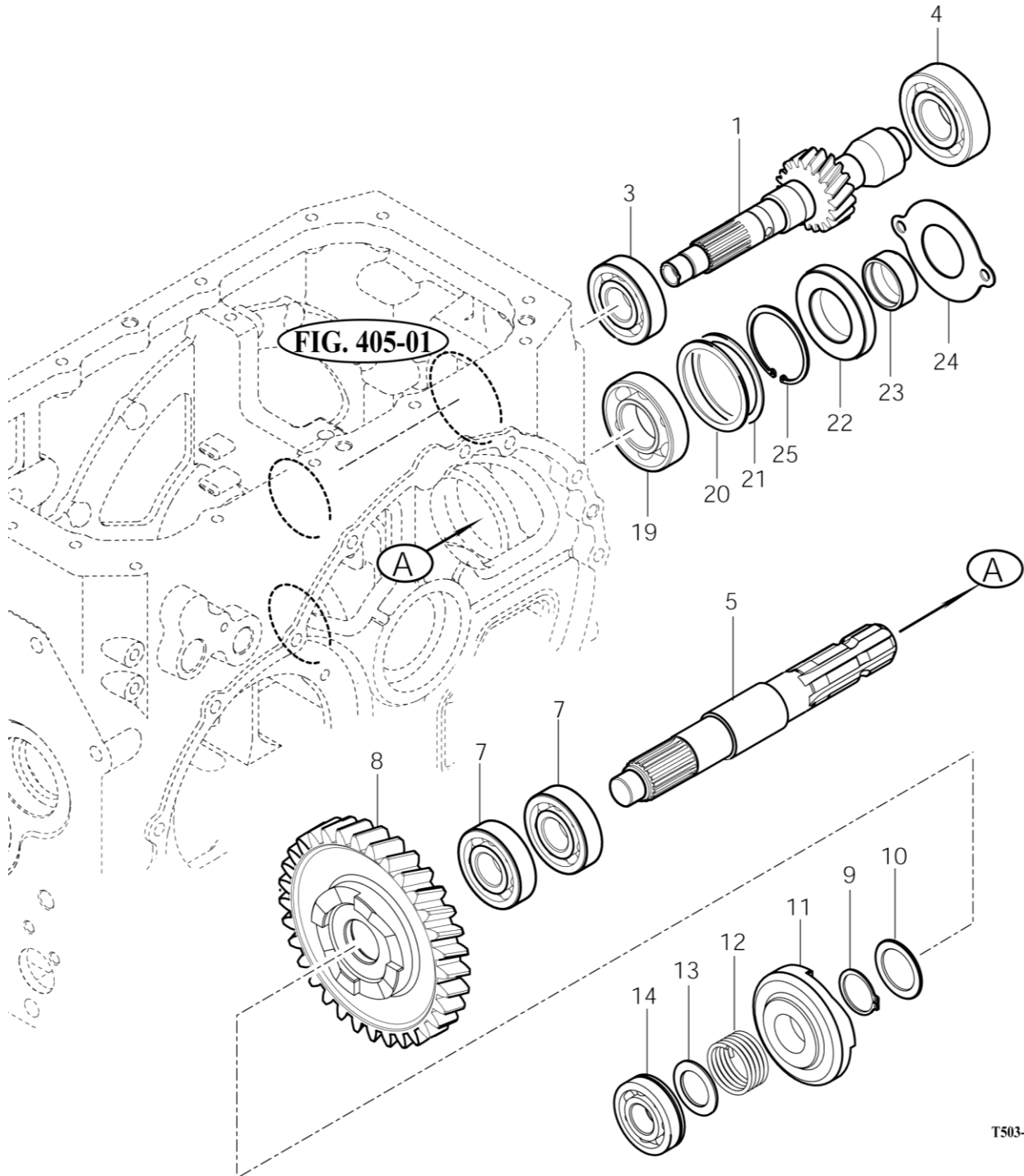
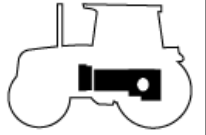
T503SH / T433NH

P.T.O CHANGE GEARS (A)

P1

Year / Month

2010 / 06



T503-E-411A

NOTE

FIG 411B

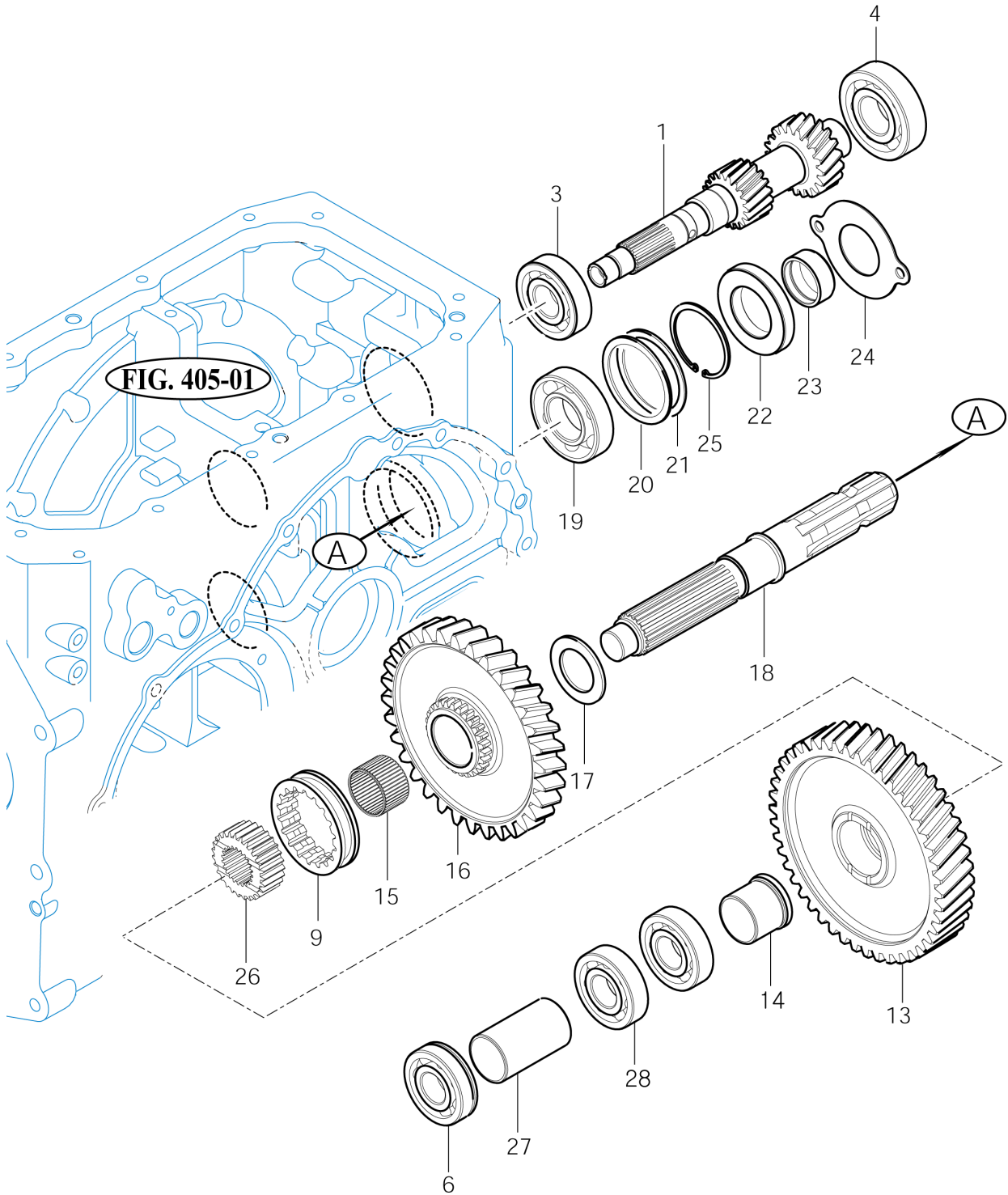
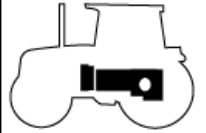
P.T.O CHANGE GEARS (B)

T503SH / T433NH

P1

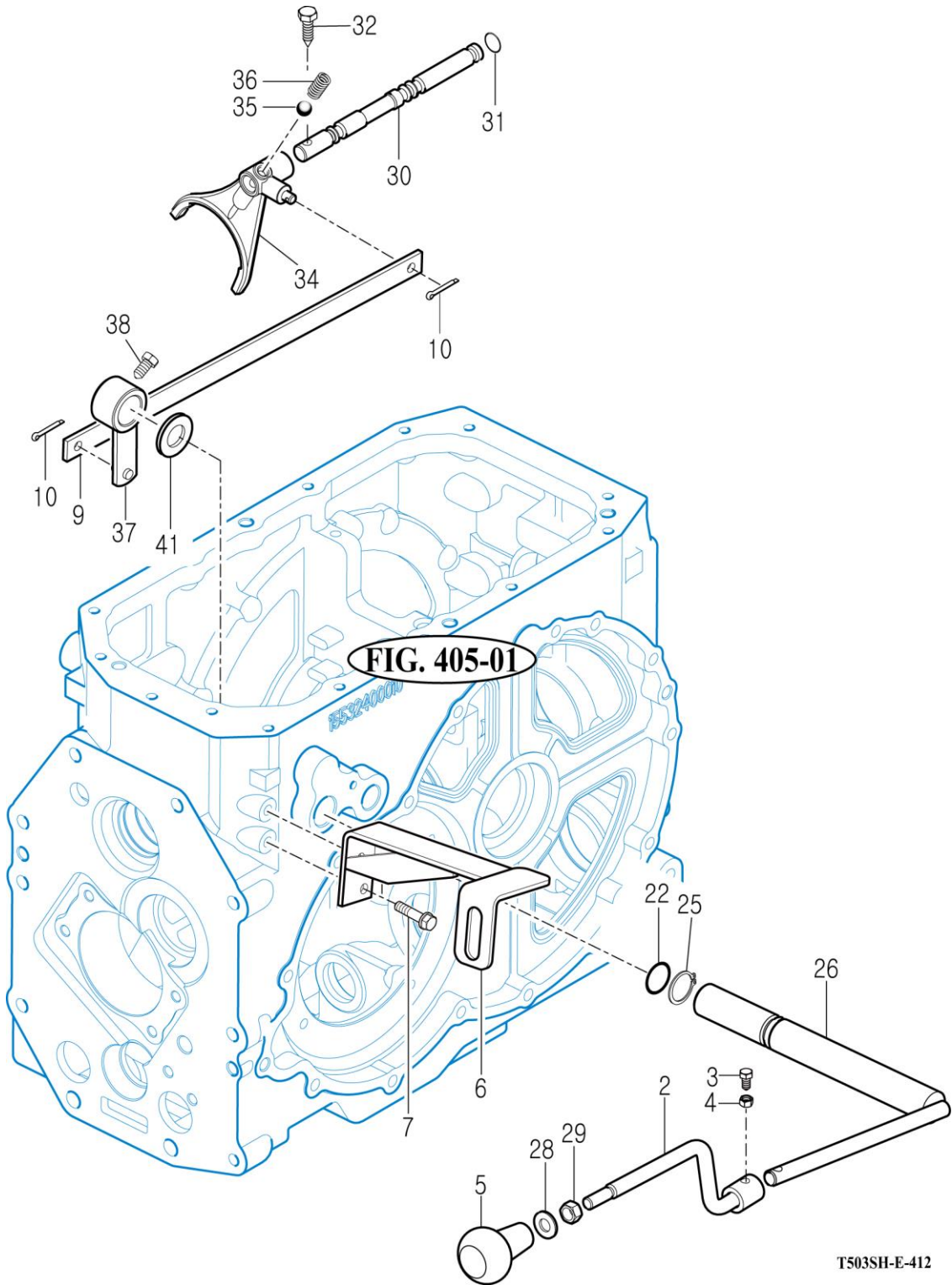
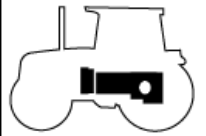
Year / Month

2010 / 06



T503SH-E-411B

NOTE



T503SH-E-412

NOTE

FIG 413

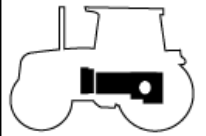
REAR DIFFERENTIAL GEARS

T503SH / T433NH

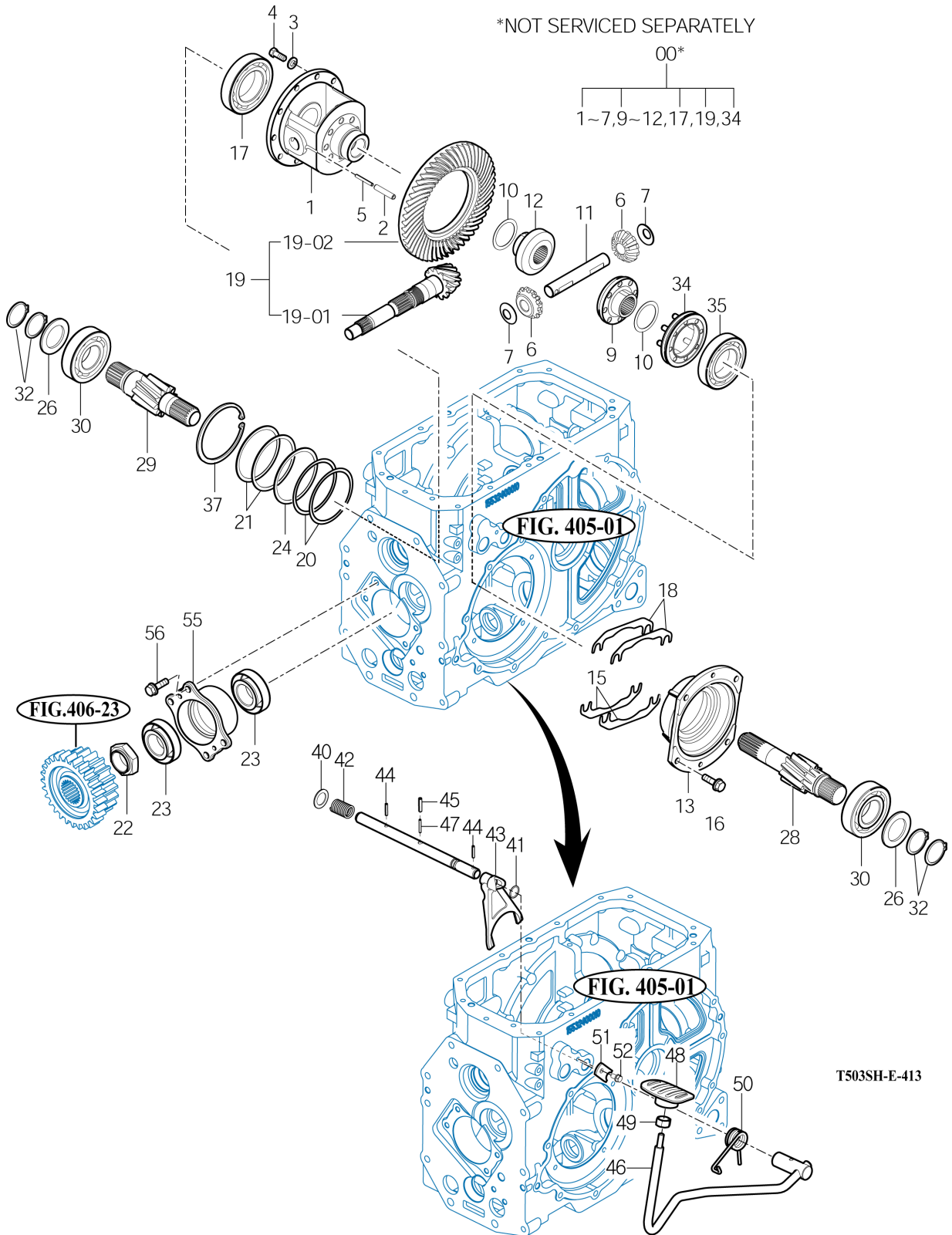
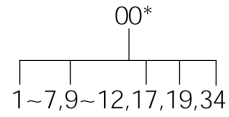
P1

Year / Month

2010 / 06



*NOT SERVICED SEPARATELY



T503SH-E-413

NOTE

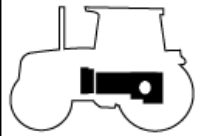
FIG 413

REAR DIFFERENTIAL GEARS

P2

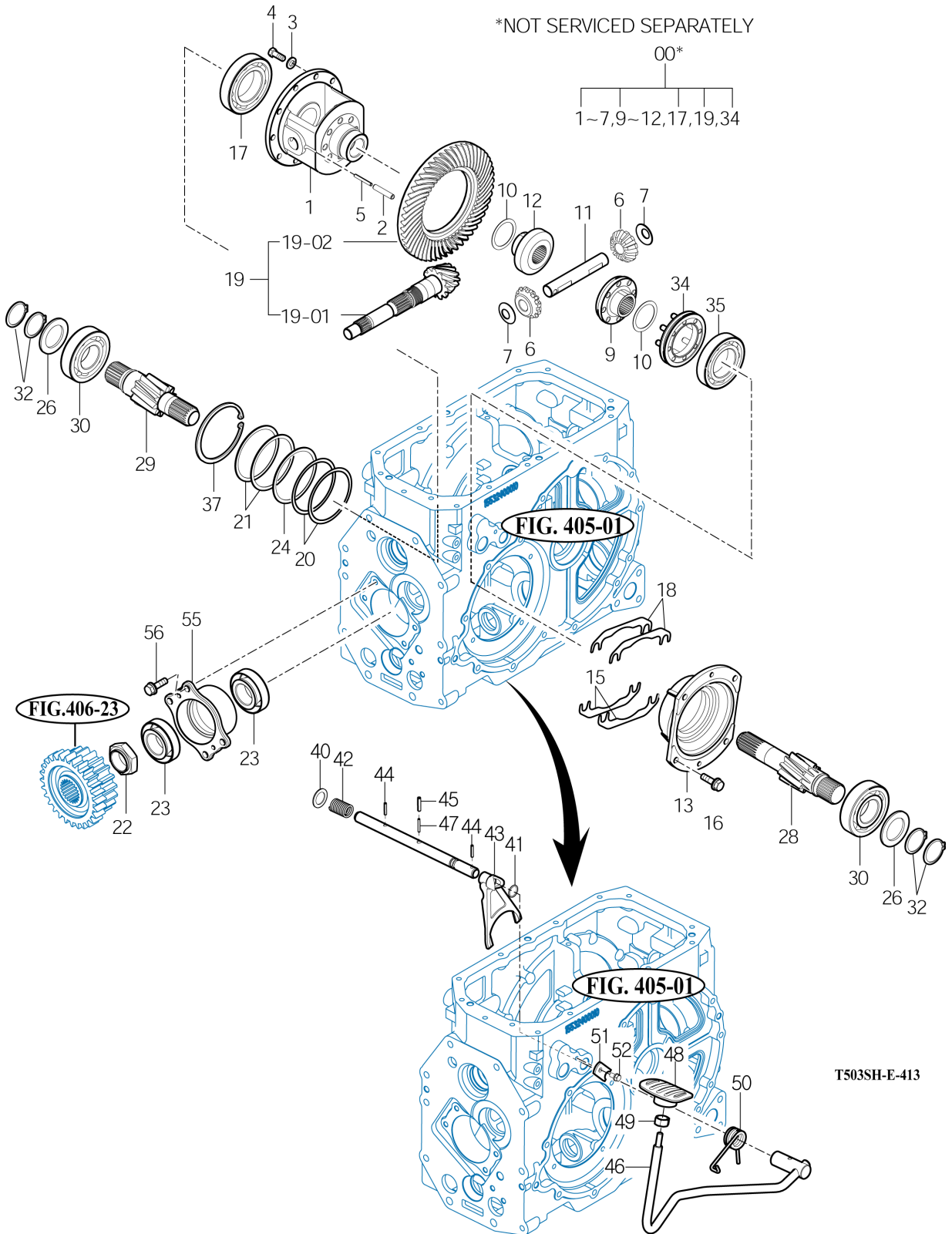
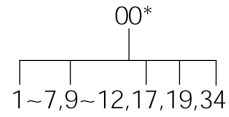
Year / Month

2010 / 06



T503SH / T433NH

*NOT SERVICED SEPARATELY



T503SH-E-413

NOTE

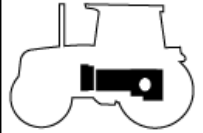
FIG 414

REAR AXLE HOUSING

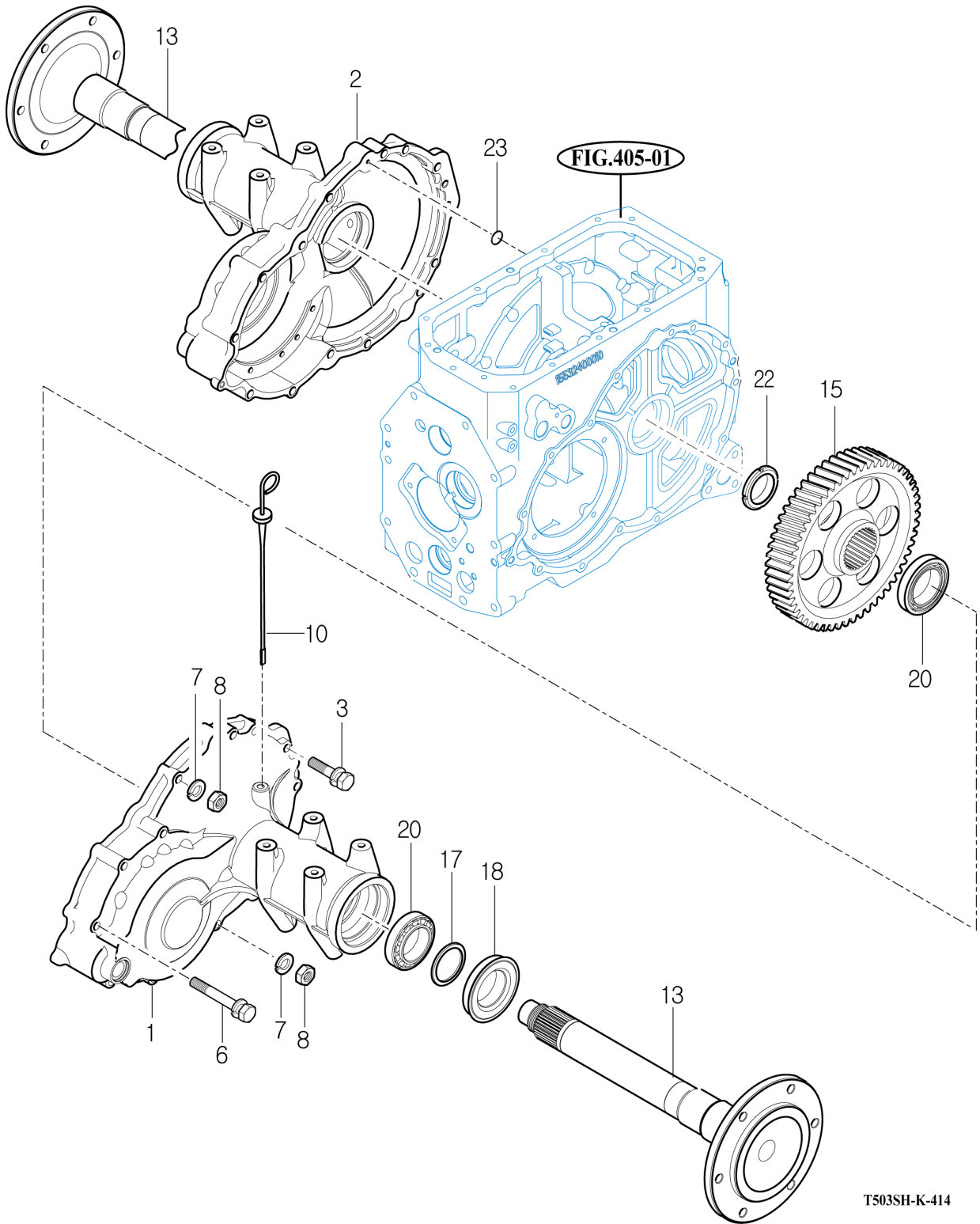
P1

Year / Month

2010 / 06



T503SH / T433NH



T503SH-K-414

NOTE

FIG 415

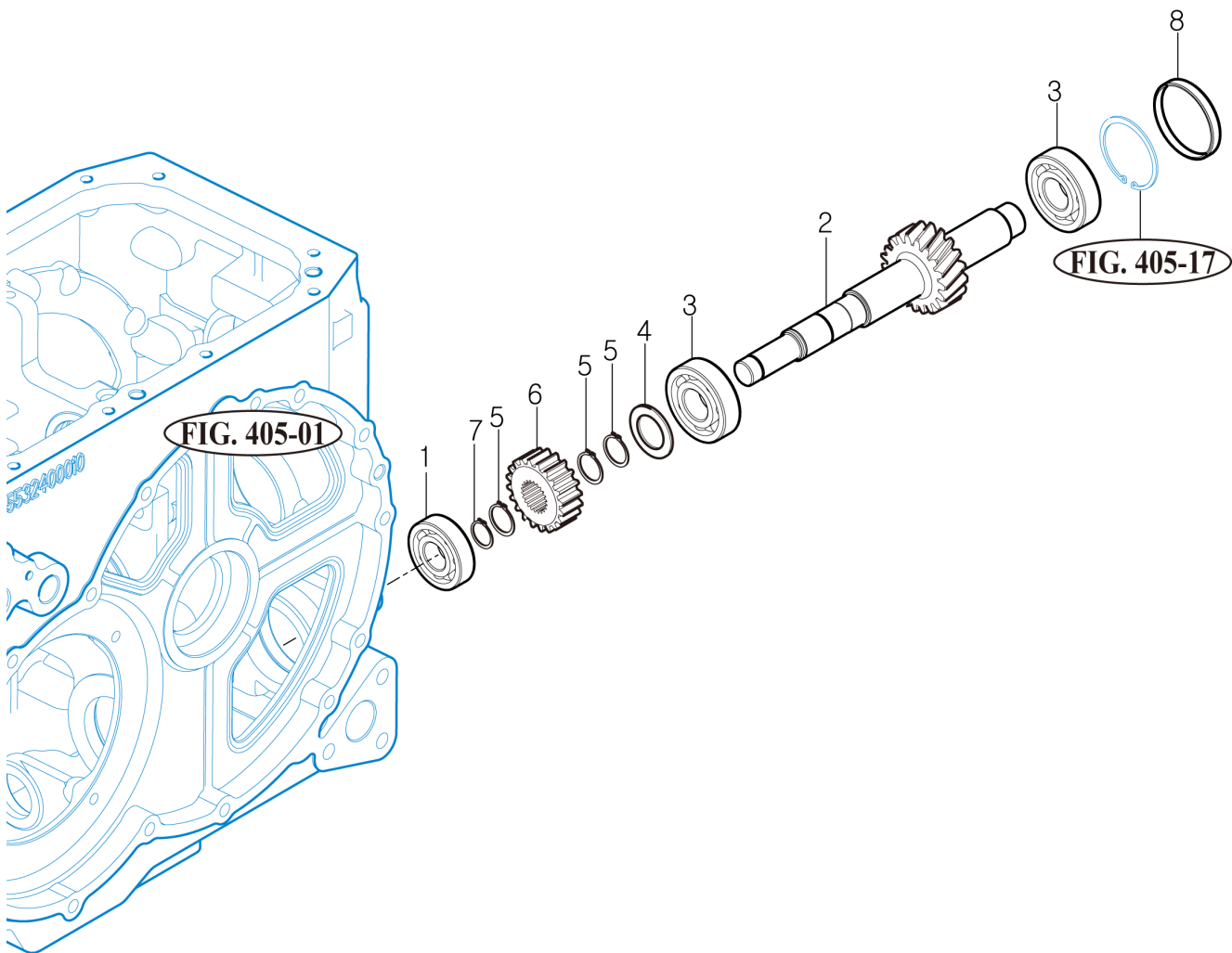
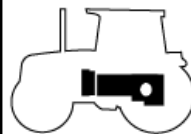
MID P.T.O DRIVE (OPTION)

T503SH / T433NH

P1

Year / Month

2010 / 06



NOTE

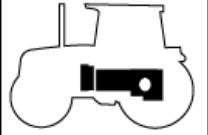
FIG 416

MID P.T.O (OPTION)

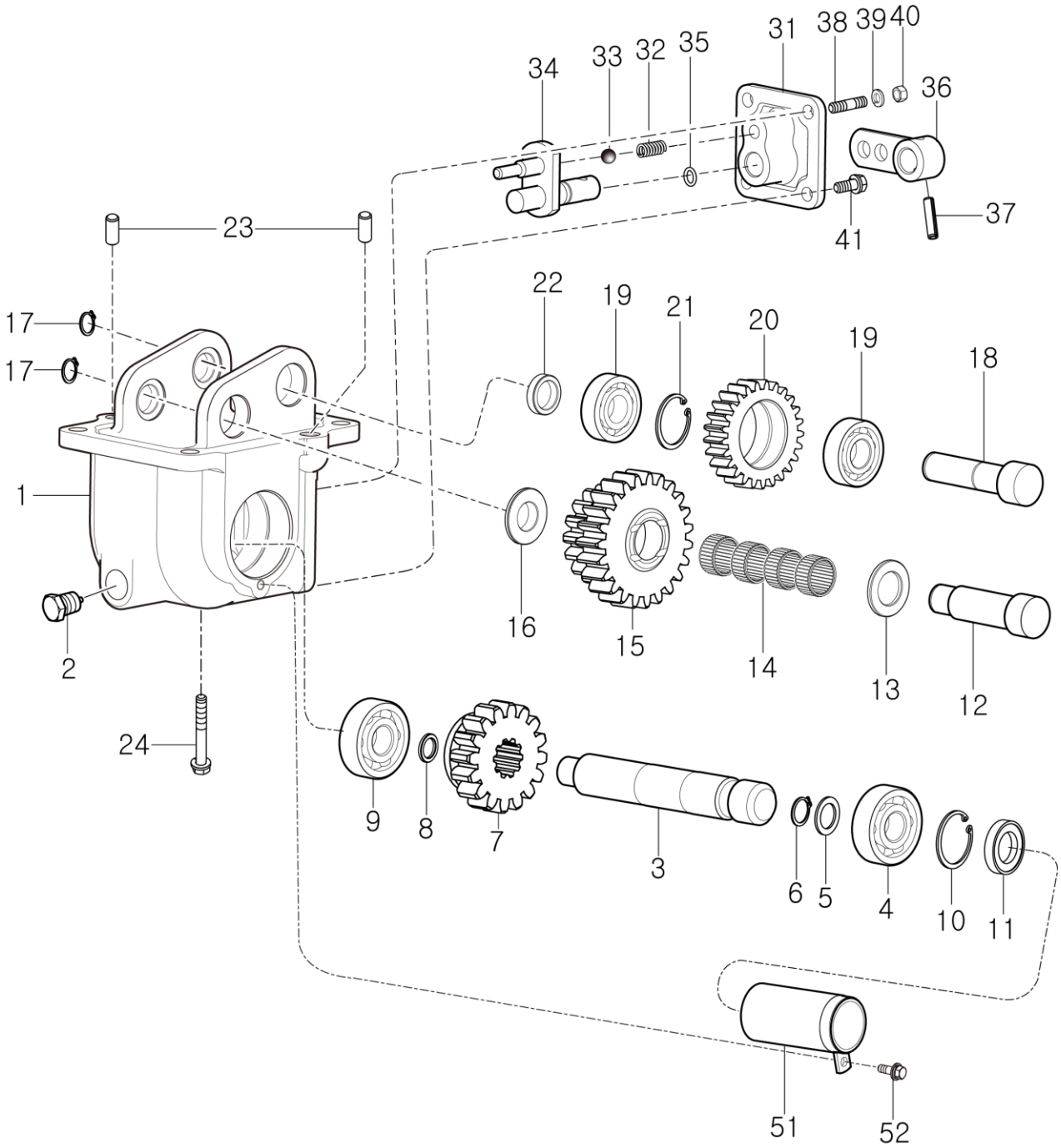
P1

Year / Month

2010 / 06



T503SH / T433NH



T503SH-E-416

NOTE

FIG 417

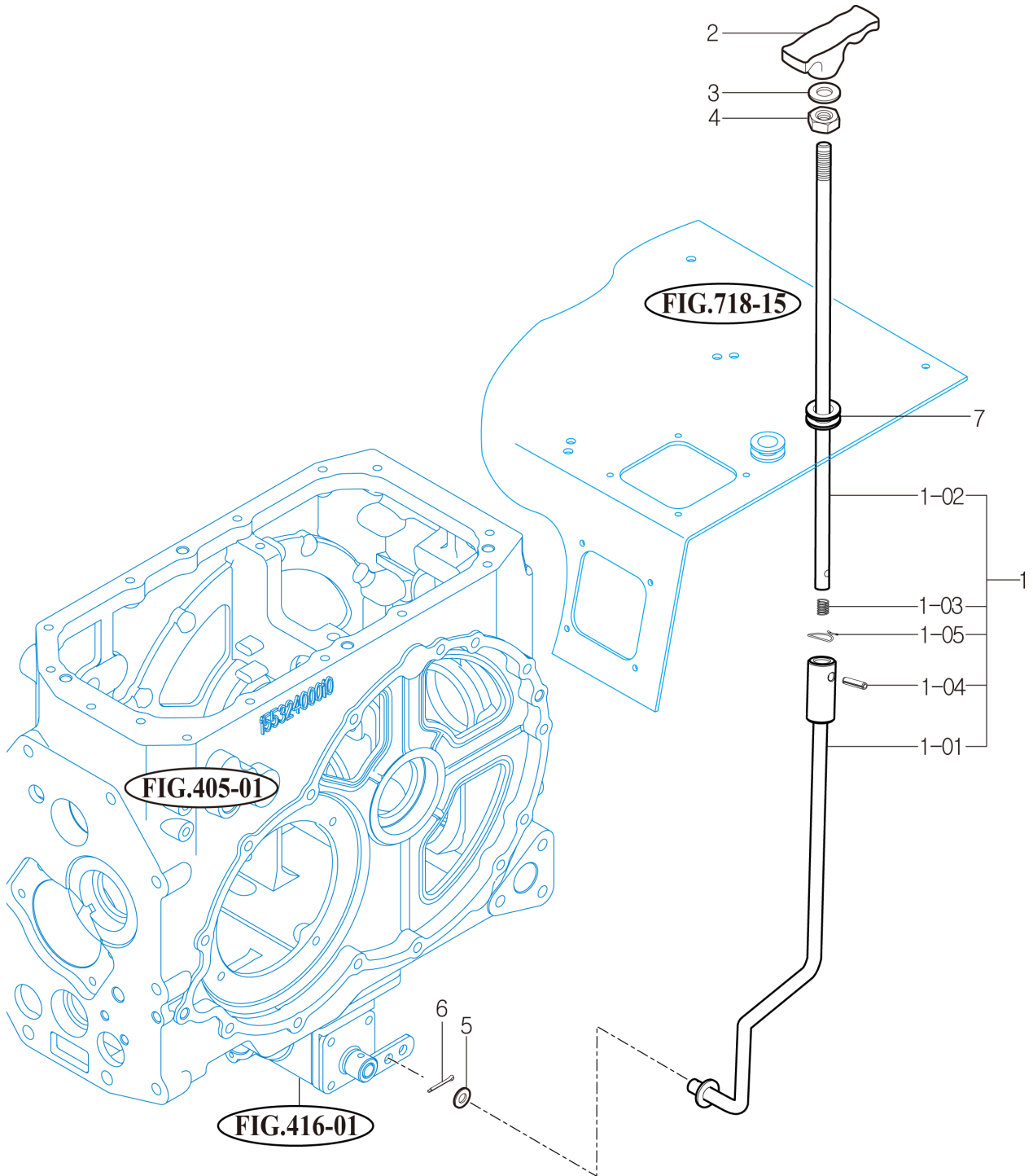
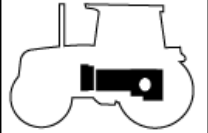
MID P.T.O LEVER (OPTION)

T503SH / T433NH

P1

Year / Month

2010 / 06



T503HST-E-417

NOTE