

FIG 101

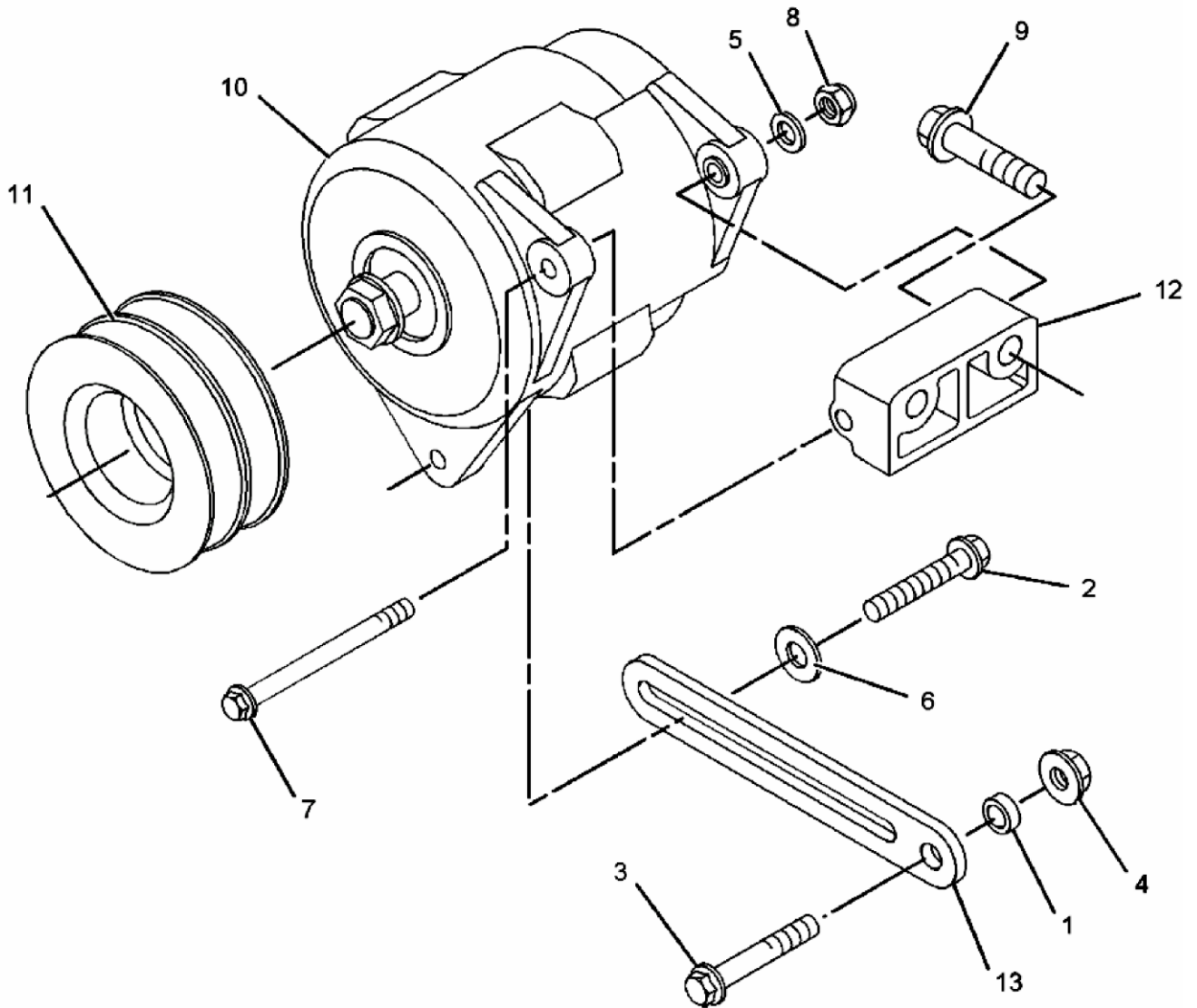
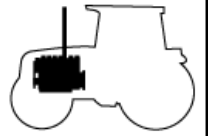
T1003/T903

ALTERNATOR GP-CHARGING

P1

Year / Month

2010 / 12



NOTE

FIG 102

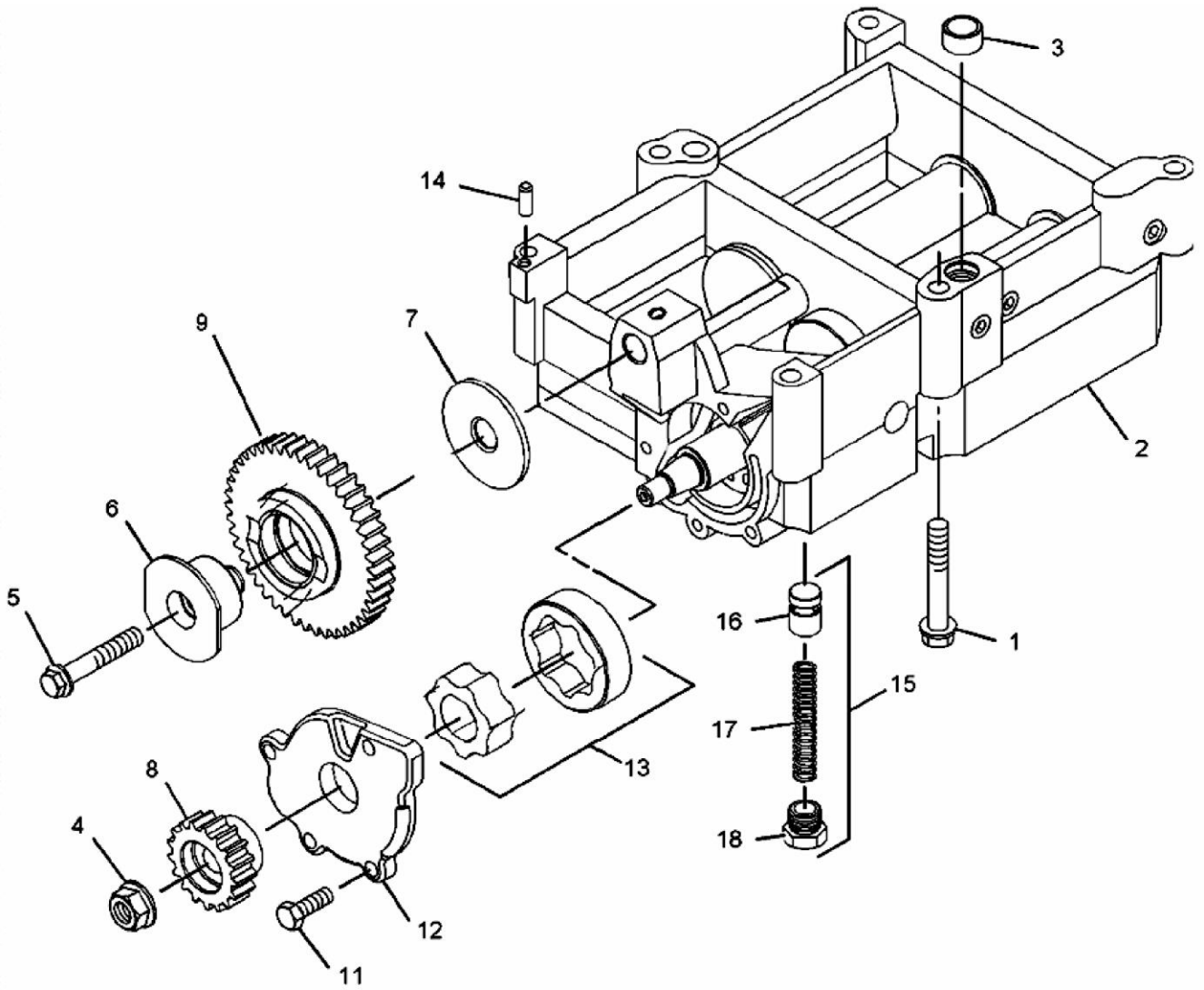
T1003/T903

BALANCER GP

P1

Year / Month

2010 / 12



NOTE

FIG 103

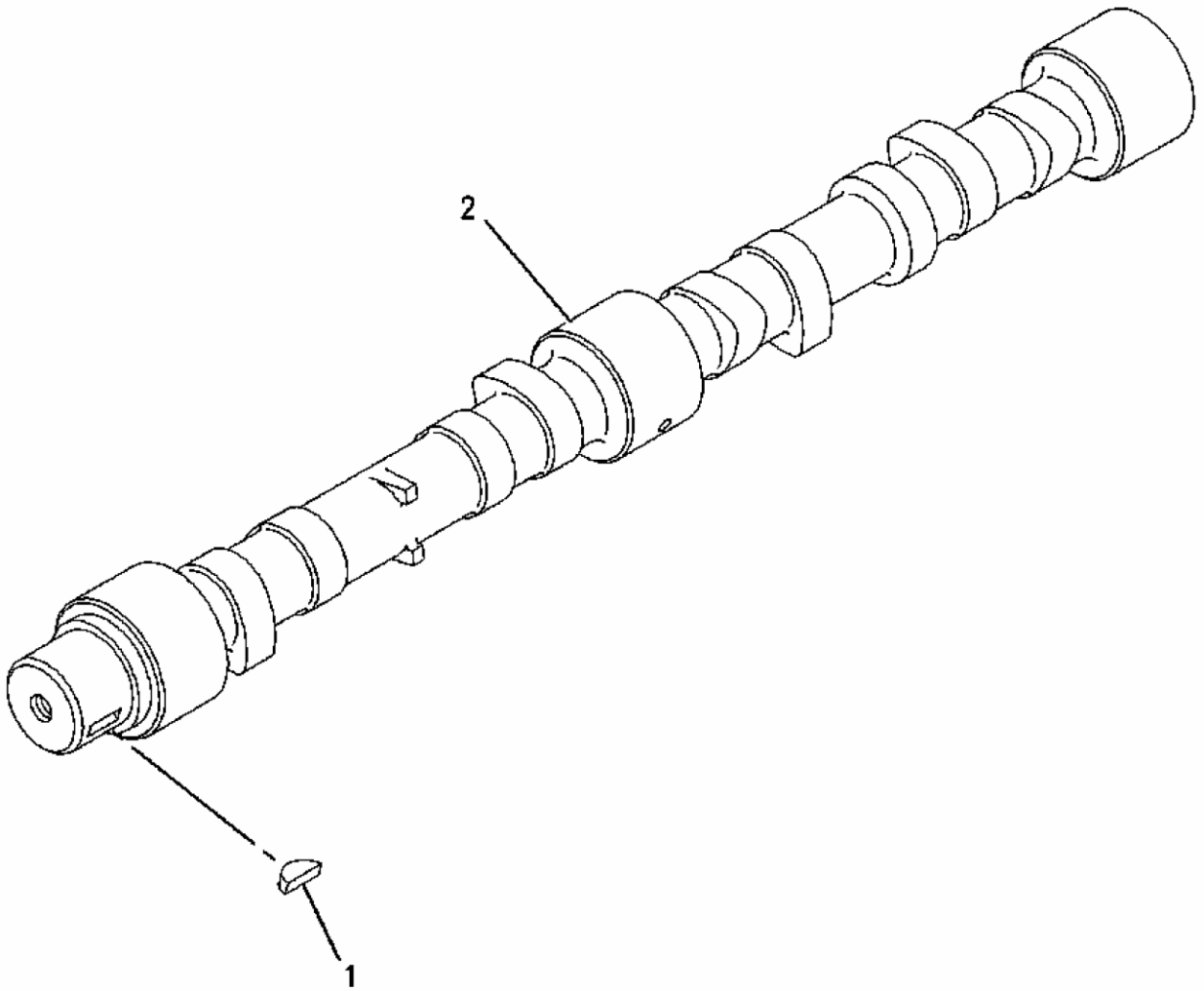
T1003/T903

CAMSHAFT GP

P1

Year / Month

2010 / 12



NOTE

FIG 103A

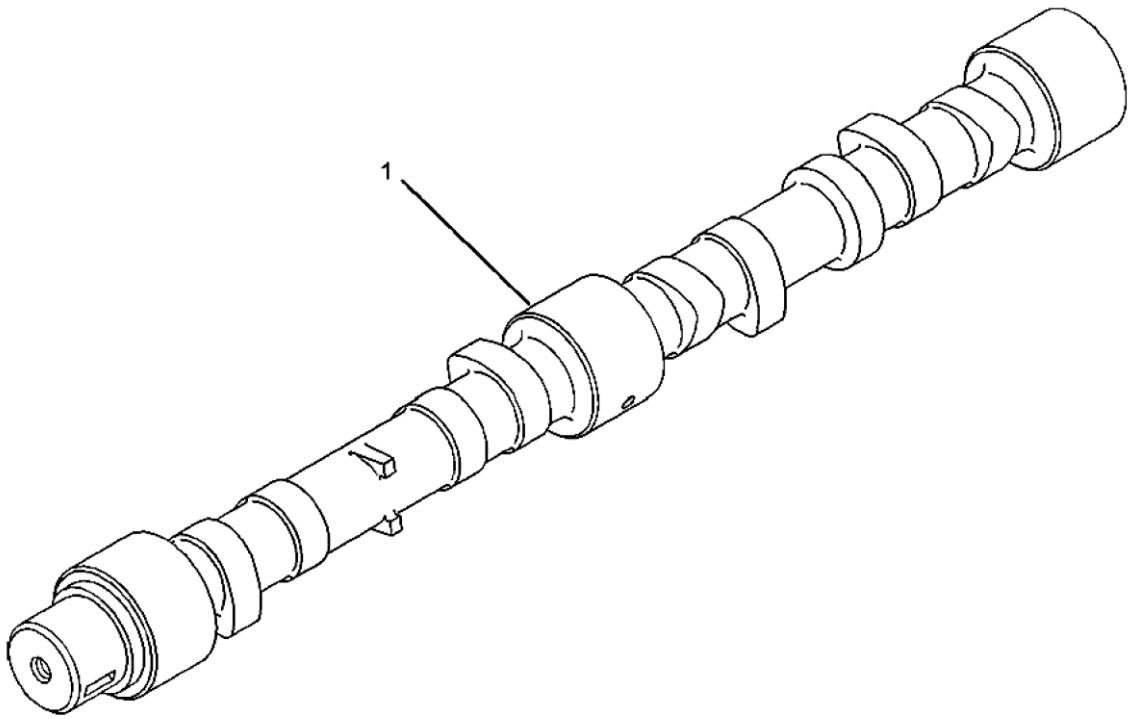
T1003/T903

CAMSHAFT GP

P1

Year / Month

2010 / 12



NOTE

FIG 104

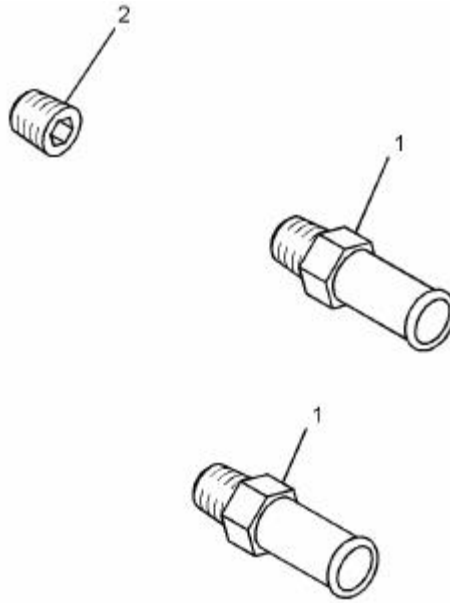
T1003/T903

CONNECTION GP-HEATER

P1

Year / Month

2010 / 12



NOTE

FIG 105

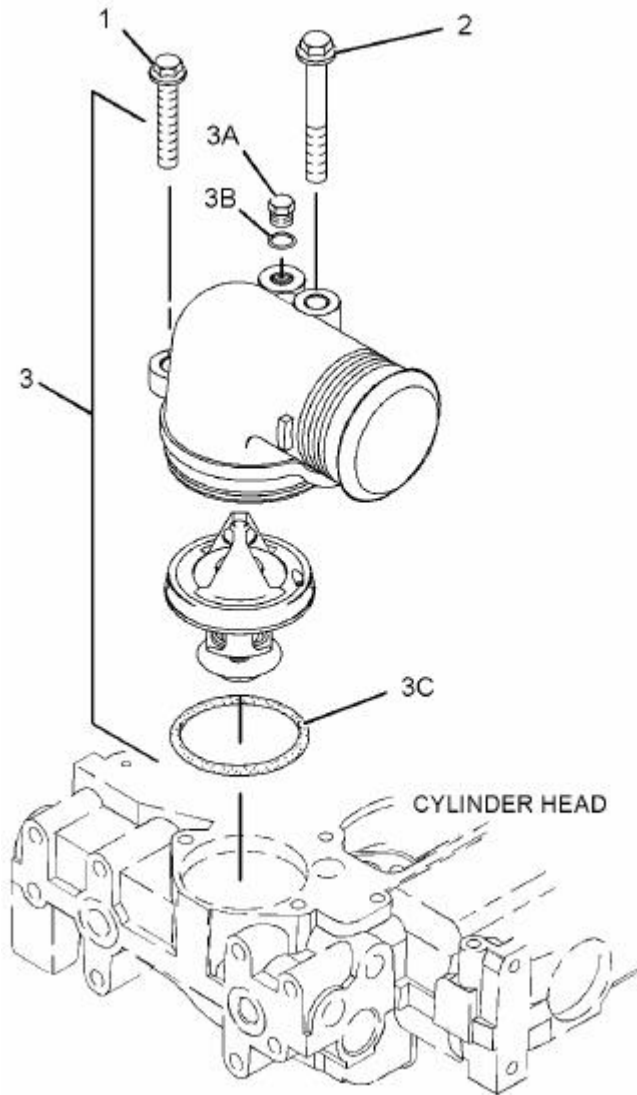
T1003/T903

CONNECTION GP-WATER

P1

Year / Month

2010 / 12



NOTE

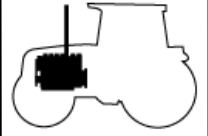
FIG 106

COOLER GP-FLTR BASE&ENG OIL

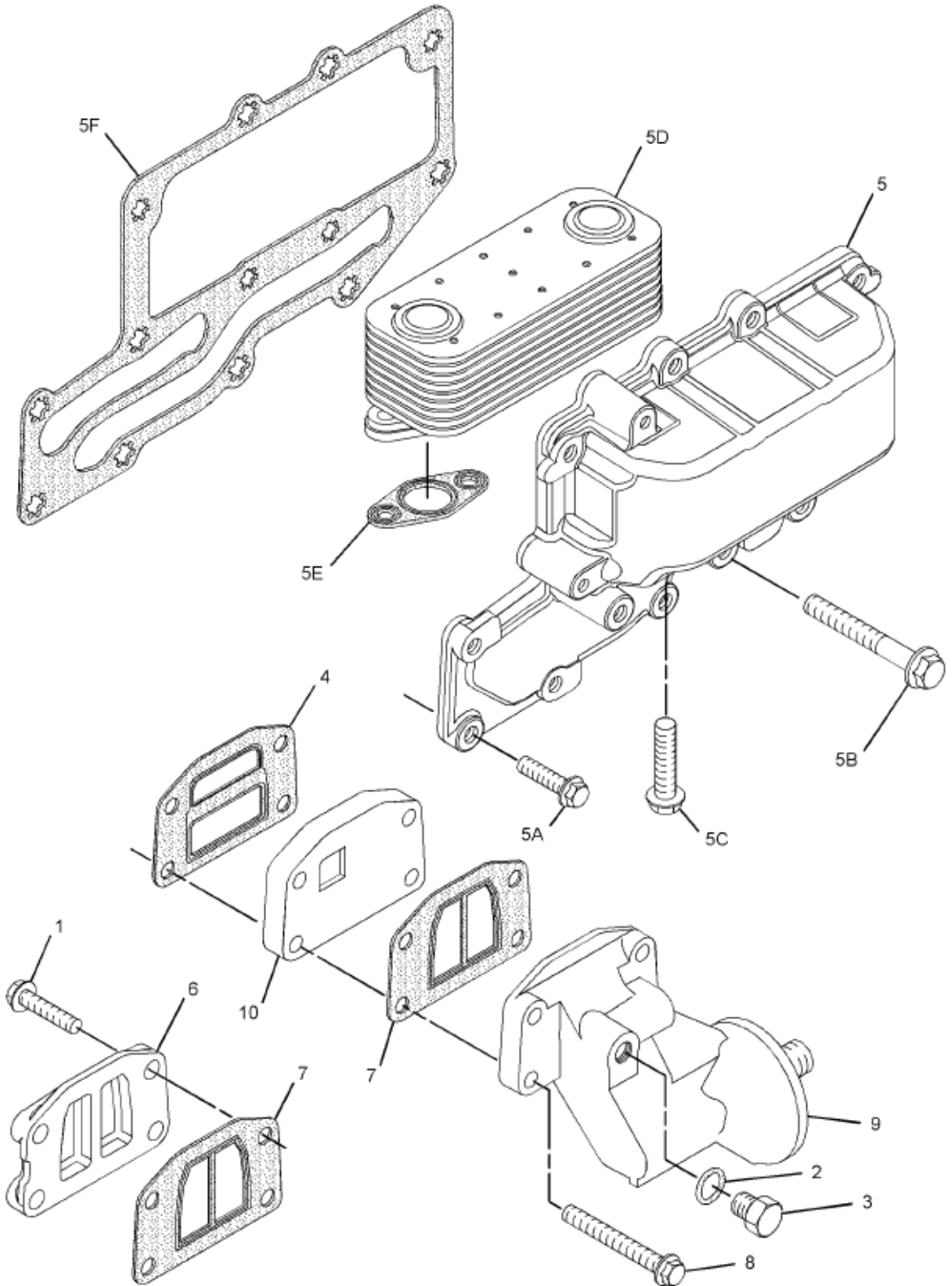
P1

Year / Month

2010 / 12



T1003/T903



NOTE

FIG 106A

COOLER GP-FLTR BASE&ENG OIL

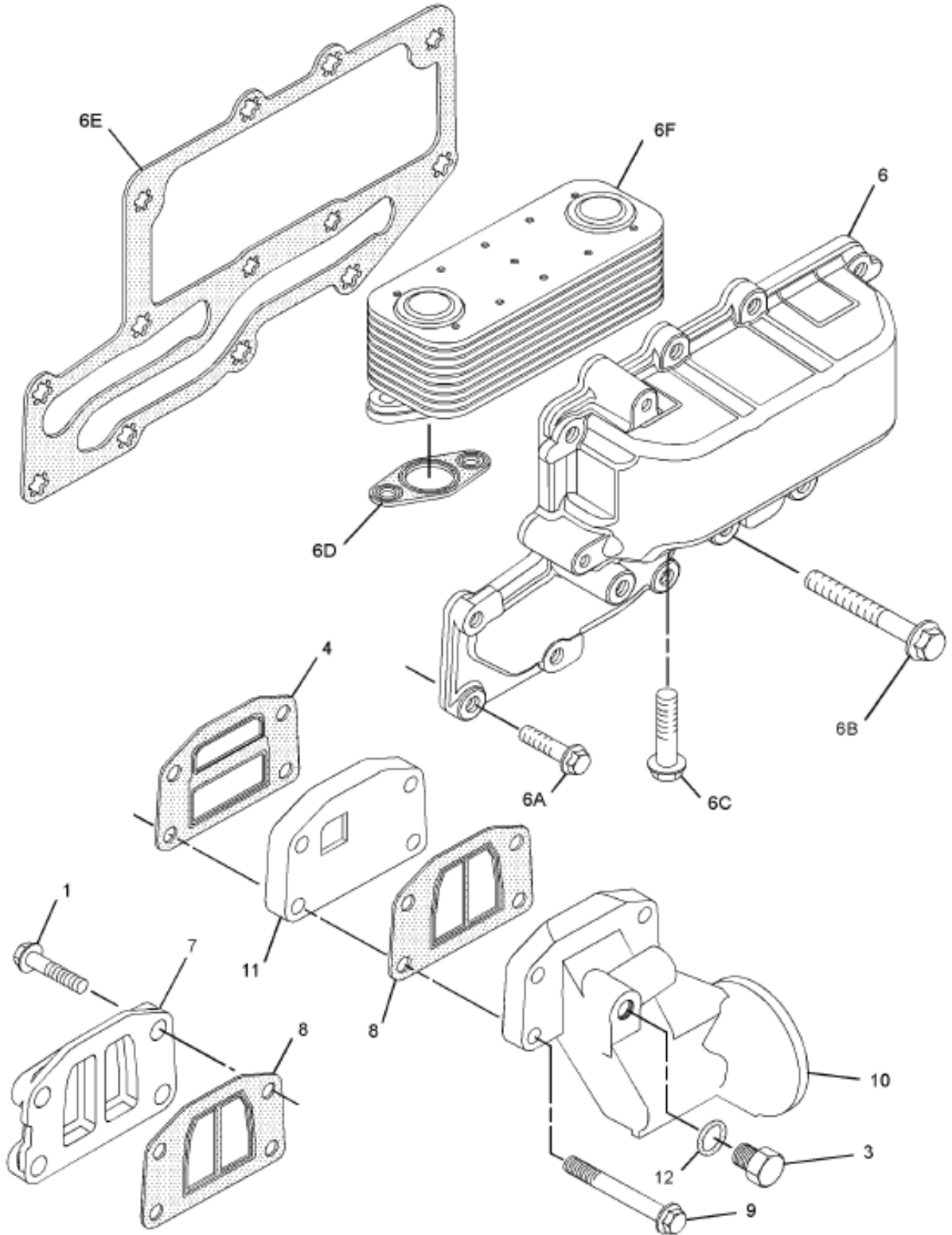
P1

Year / Month

2010 / 12



T1003/T903



NOTE



FIG 107

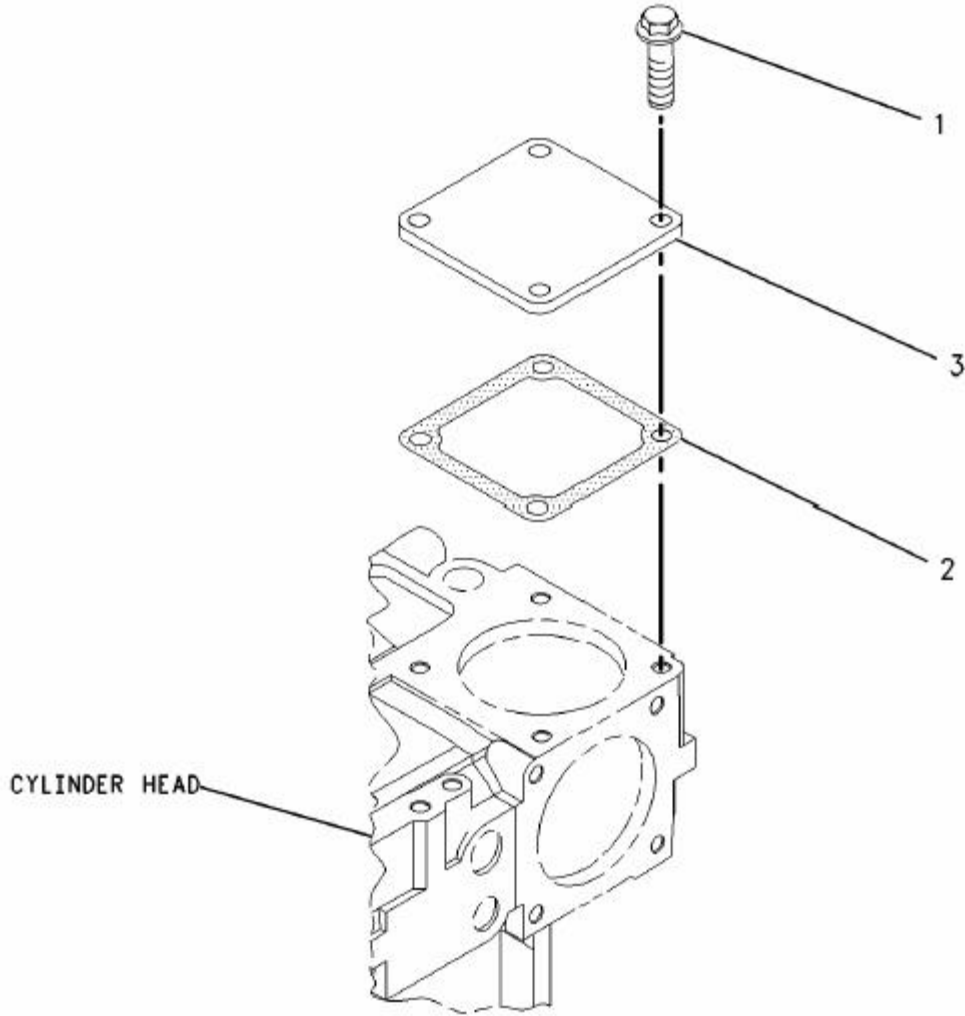
T1003/T903

COVER GP-CYLINDER HEAD

P1

Year / Month

2010 / 12



NOTE

FIG 108

COVER GP-VALVE MECHANISM

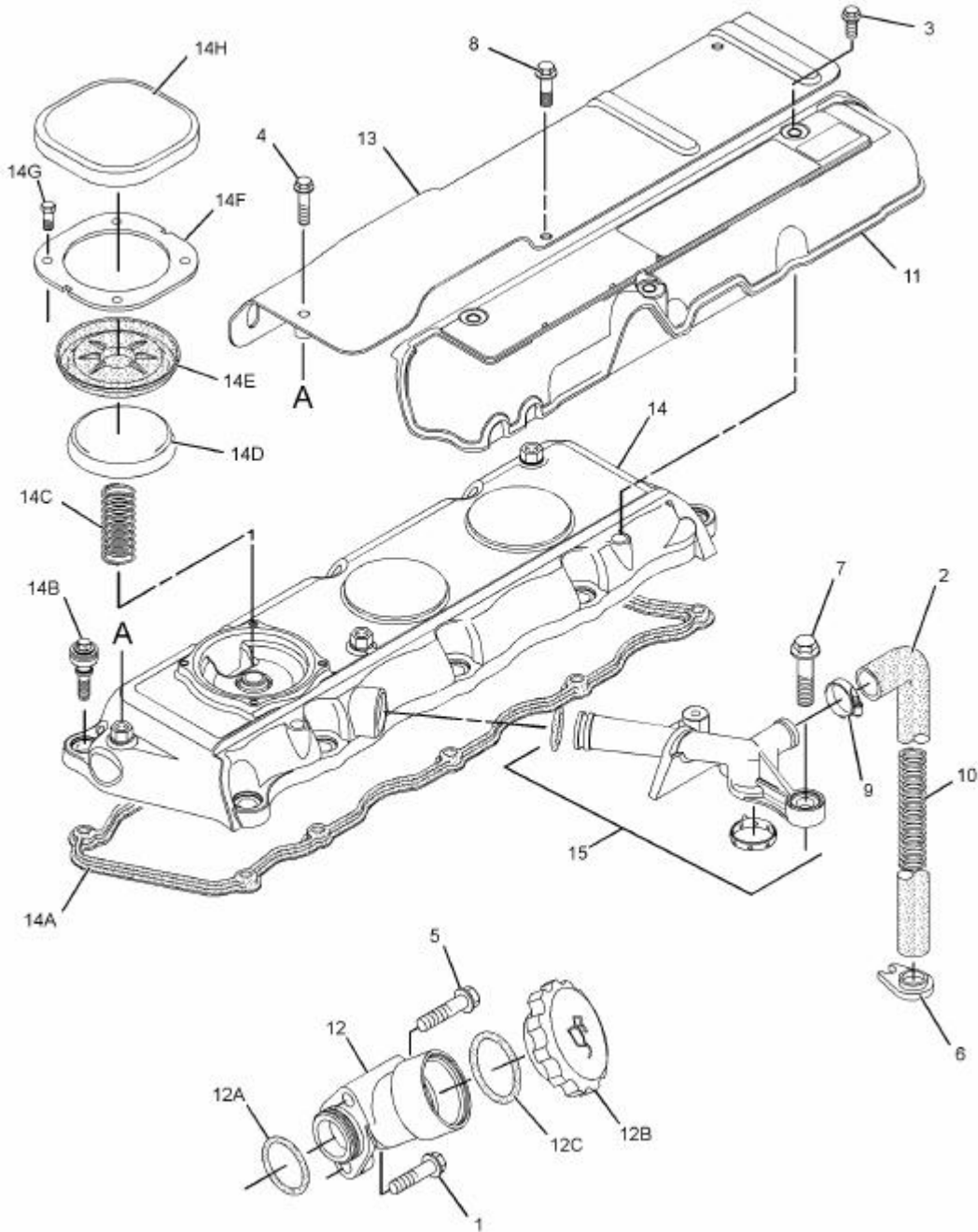
P1

Year / Month

2010 / 12



T1003/T903



NOTE

FIG 108A

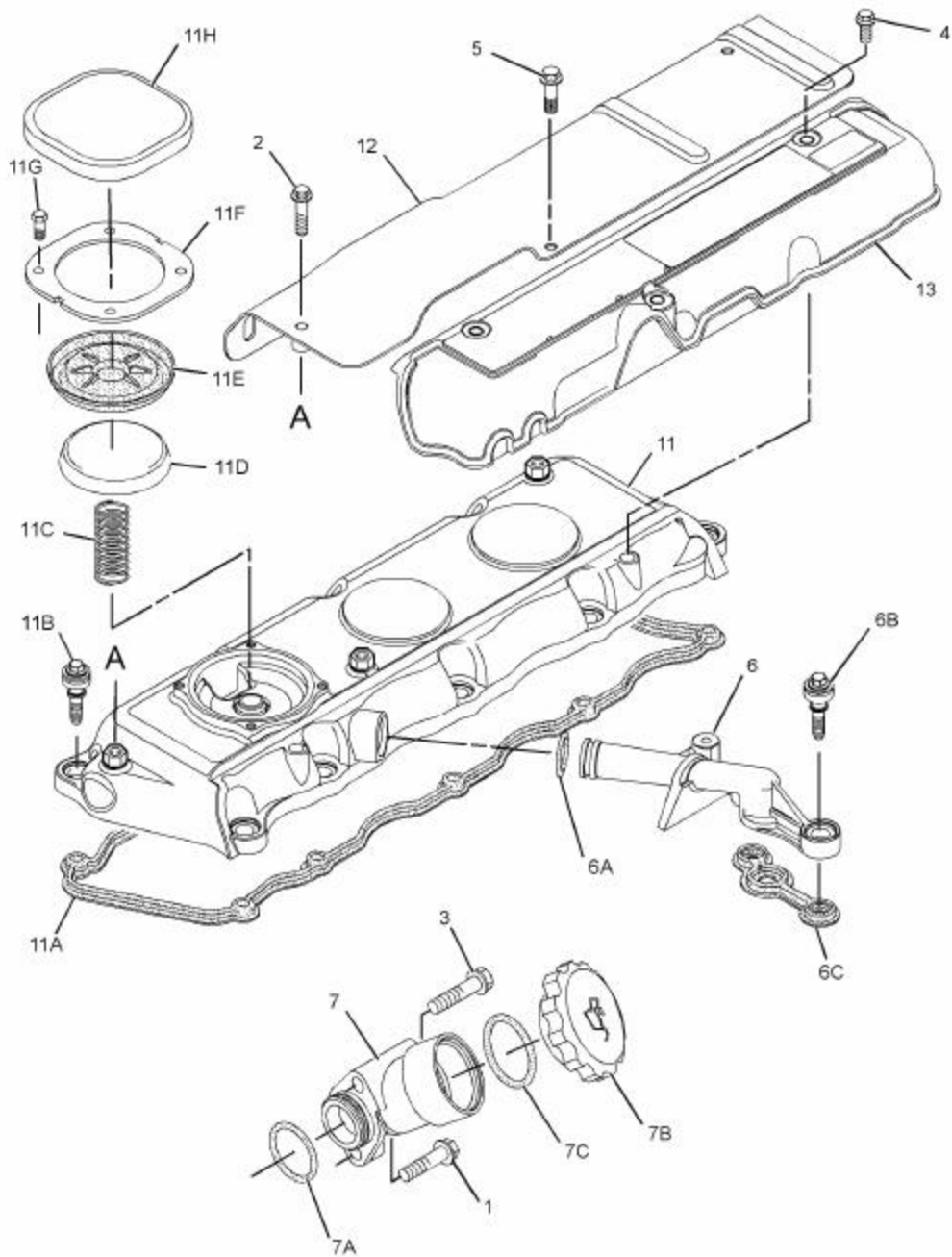
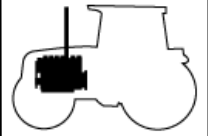
COVER GP-VALVE MECHANISM

T1003/T903

P1

Year / Month

2010 / 12



NOTE

FIG 109

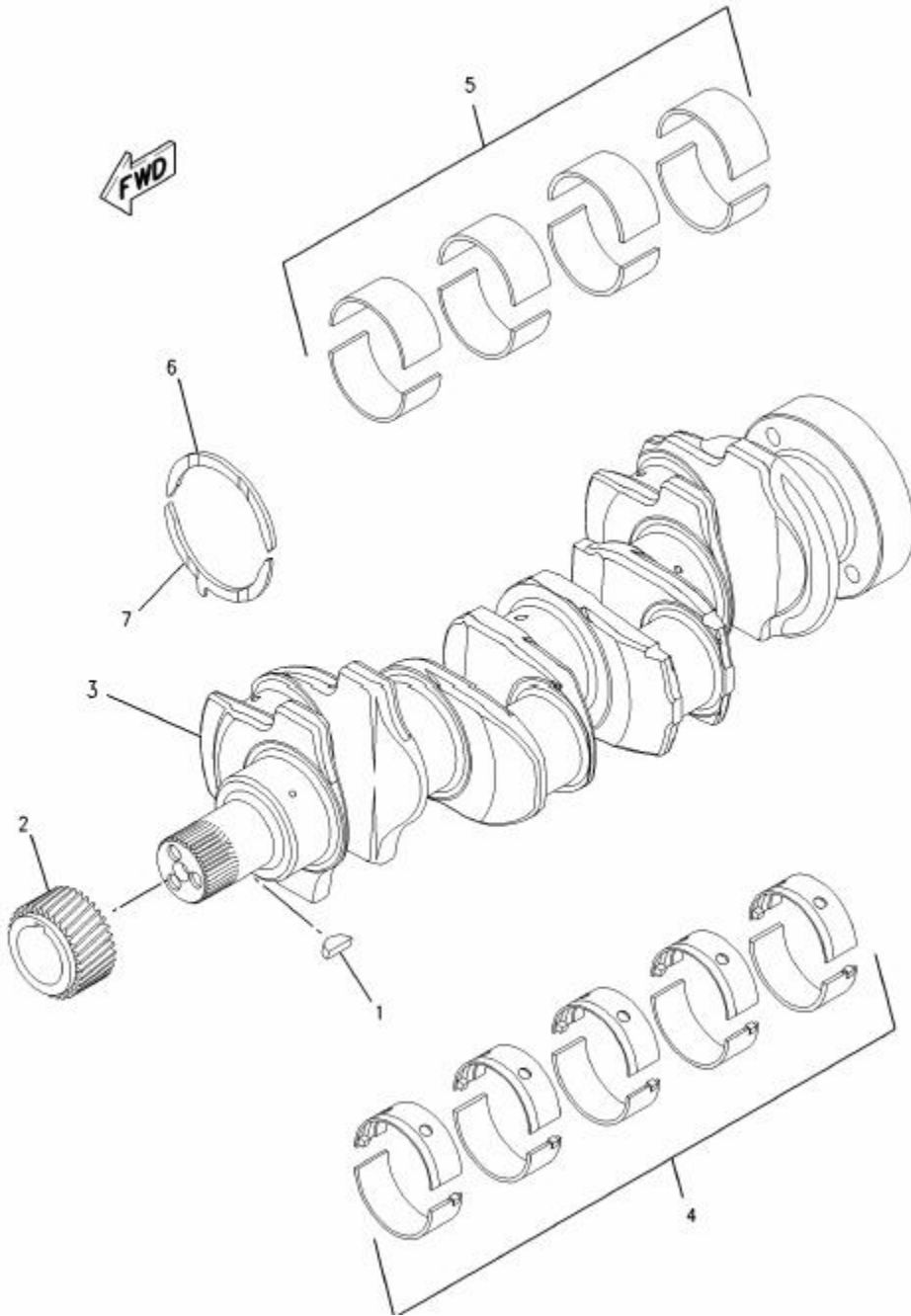
T1003/T903

CRANKSHAFT GP

P1

Year / Month

2010 / 12



NOTE

FIG 109A

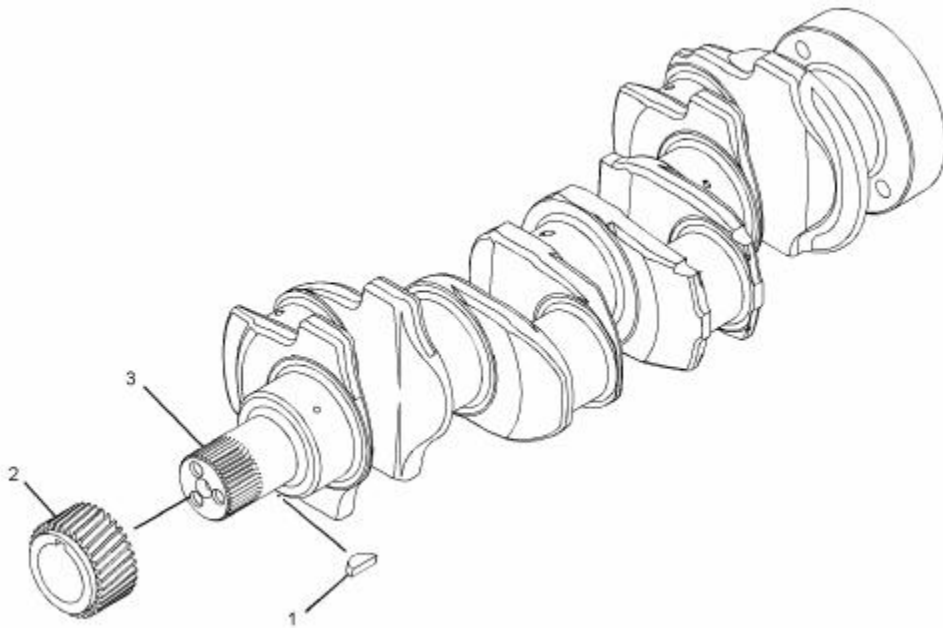
T1003/T903

CRANKSHAFT GP

P1

Year / Month

2010 / 12



NOTE

FIG 110

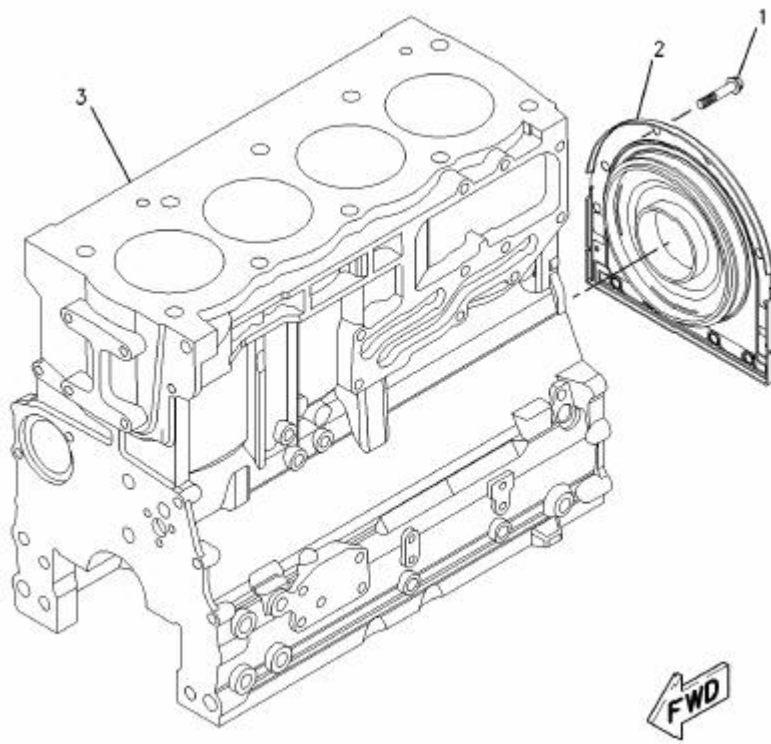
T1003/T903

CYLINDER BLOCK GP

P1

Year / Month

2010 / 12



NOTE

FIG 111

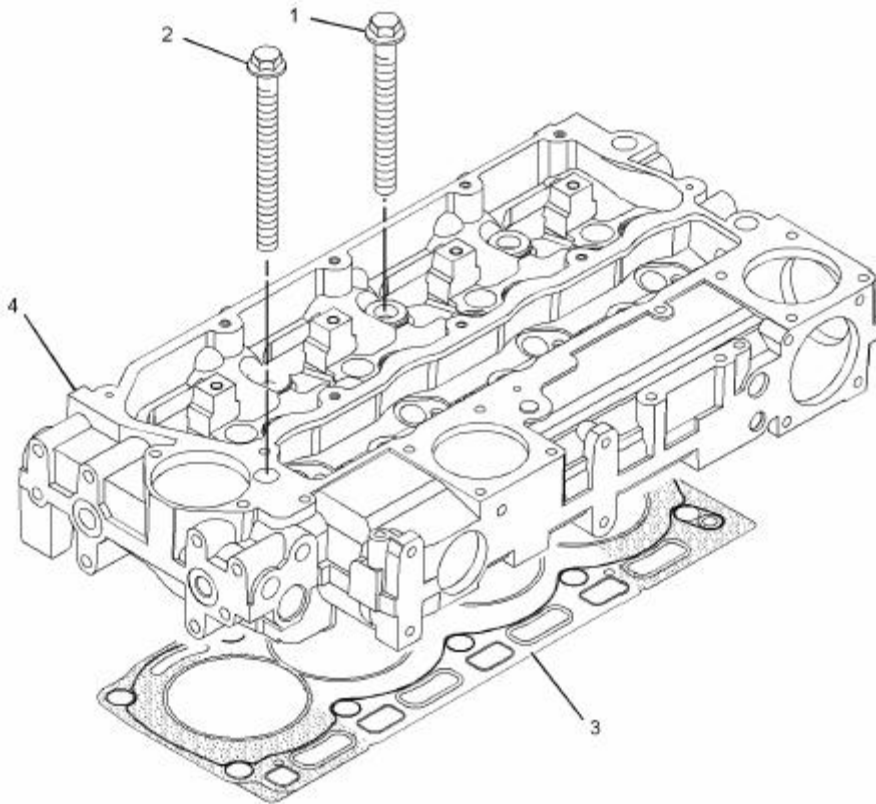
T1003/T903

CYLINDER HEAD GP

P1

Year / Month

2010 / 12



NOTE

FIG 111A

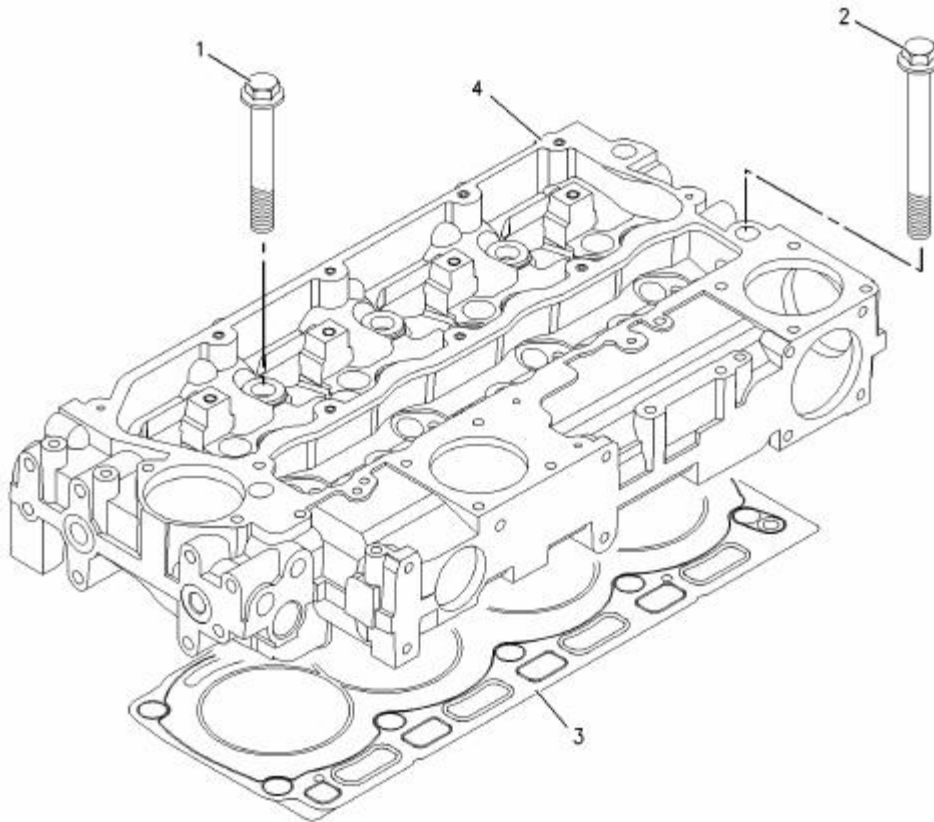
T1003/T903

CYLINDER HEAD GP

P1

Year / Month

2010 / 12



NOTE



FIG 112

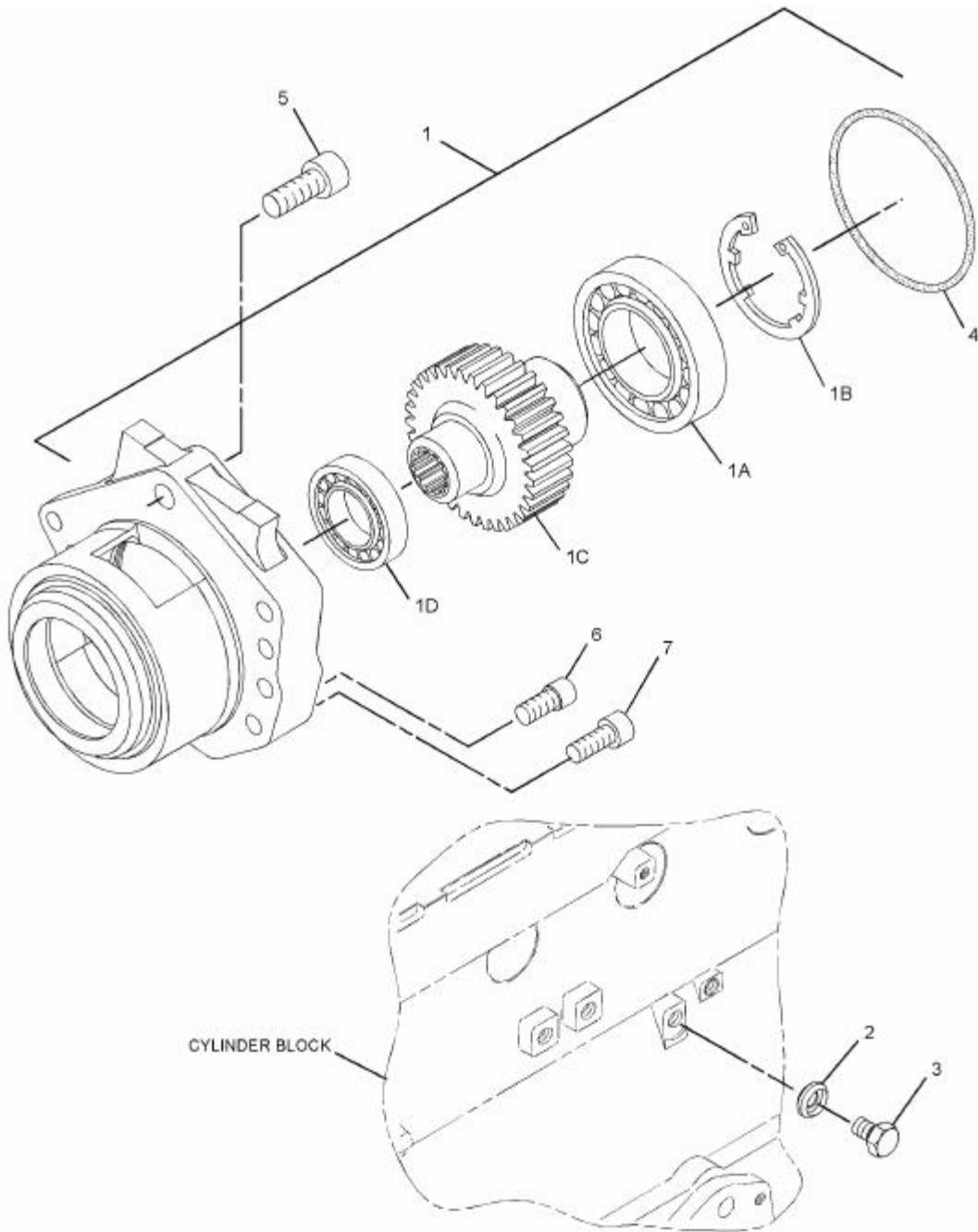
T1003/T903

DRIVE GP-ACCESSORY

P1

Year / Month

2010 / 12



NOTE

FIG 113

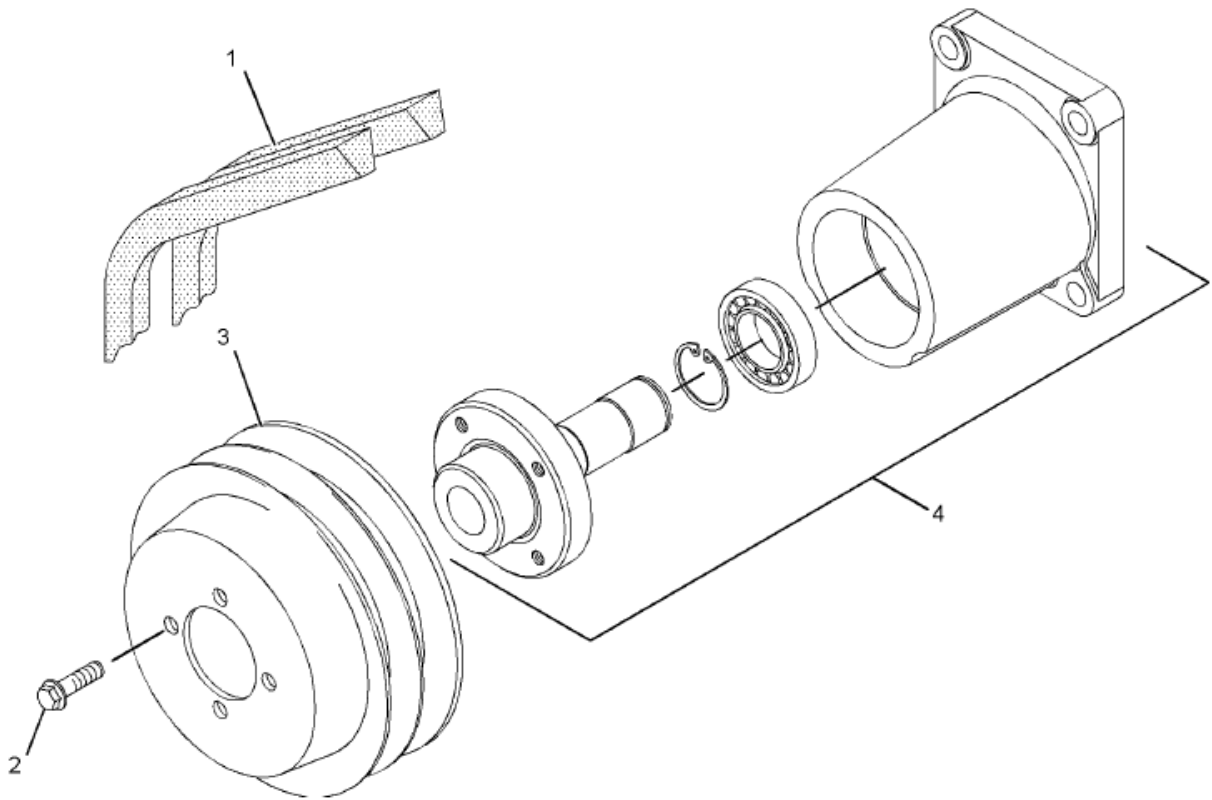
T1003/T903

DRIVE GP-FAN

P1

Year / Month

2010 / 12



NOTE

FIG 114

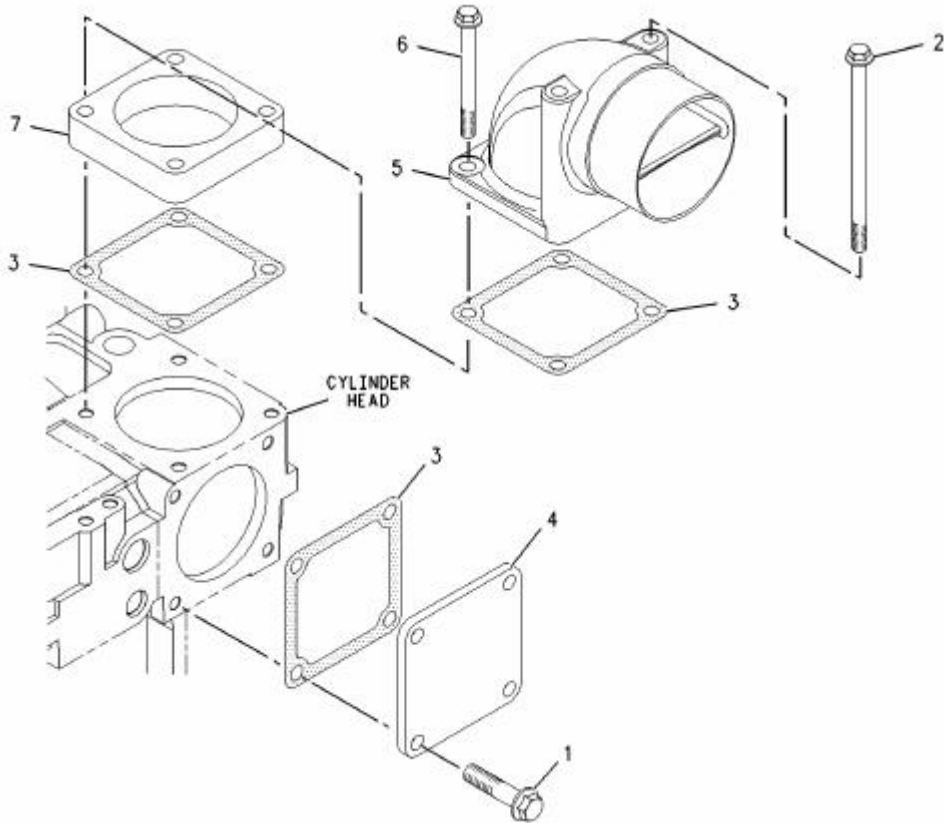
T1003/T903

ELBOW GP-AIR INLET

P1

Year / Month

2010 / 12



NOTE

FIG 115

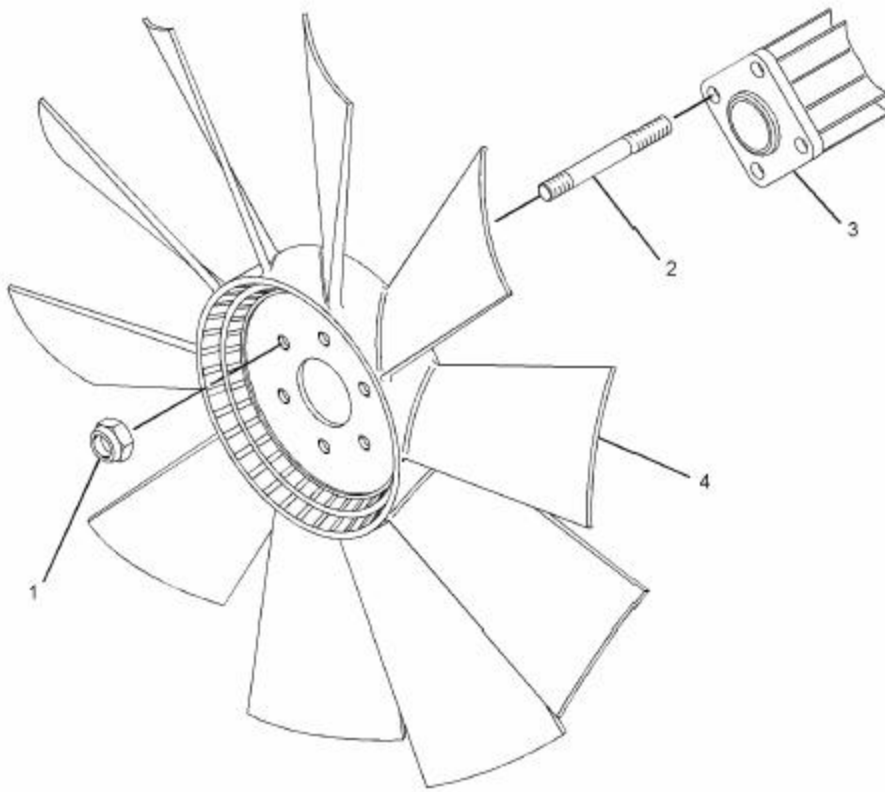
T1003/T903

FAN GP

P1

Year / Month

2010 / 12



NOTE

FIG 116

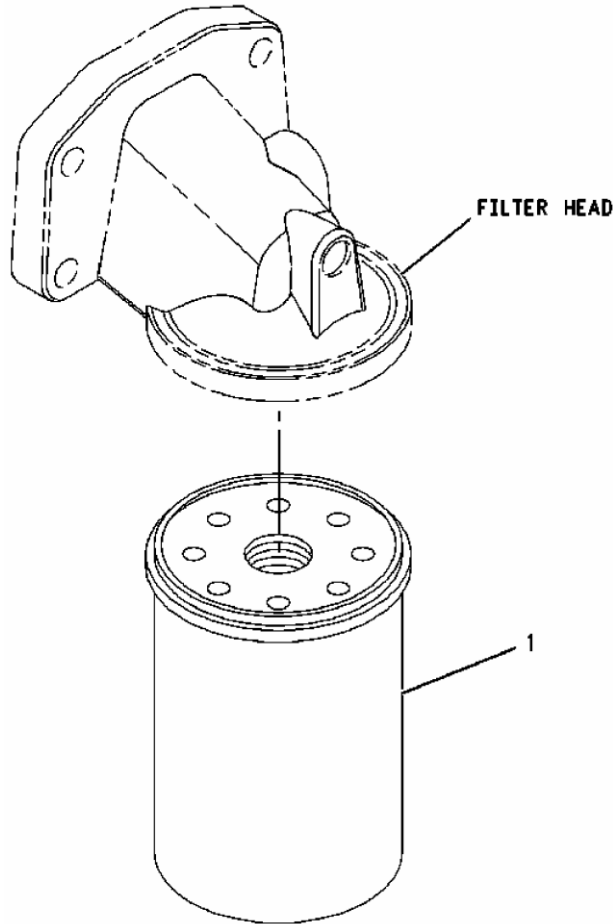
T1003/T903

FILTER GP-ENGINE OIL

P1

Year / Month

2010 / 12



NOTE

FIG 117

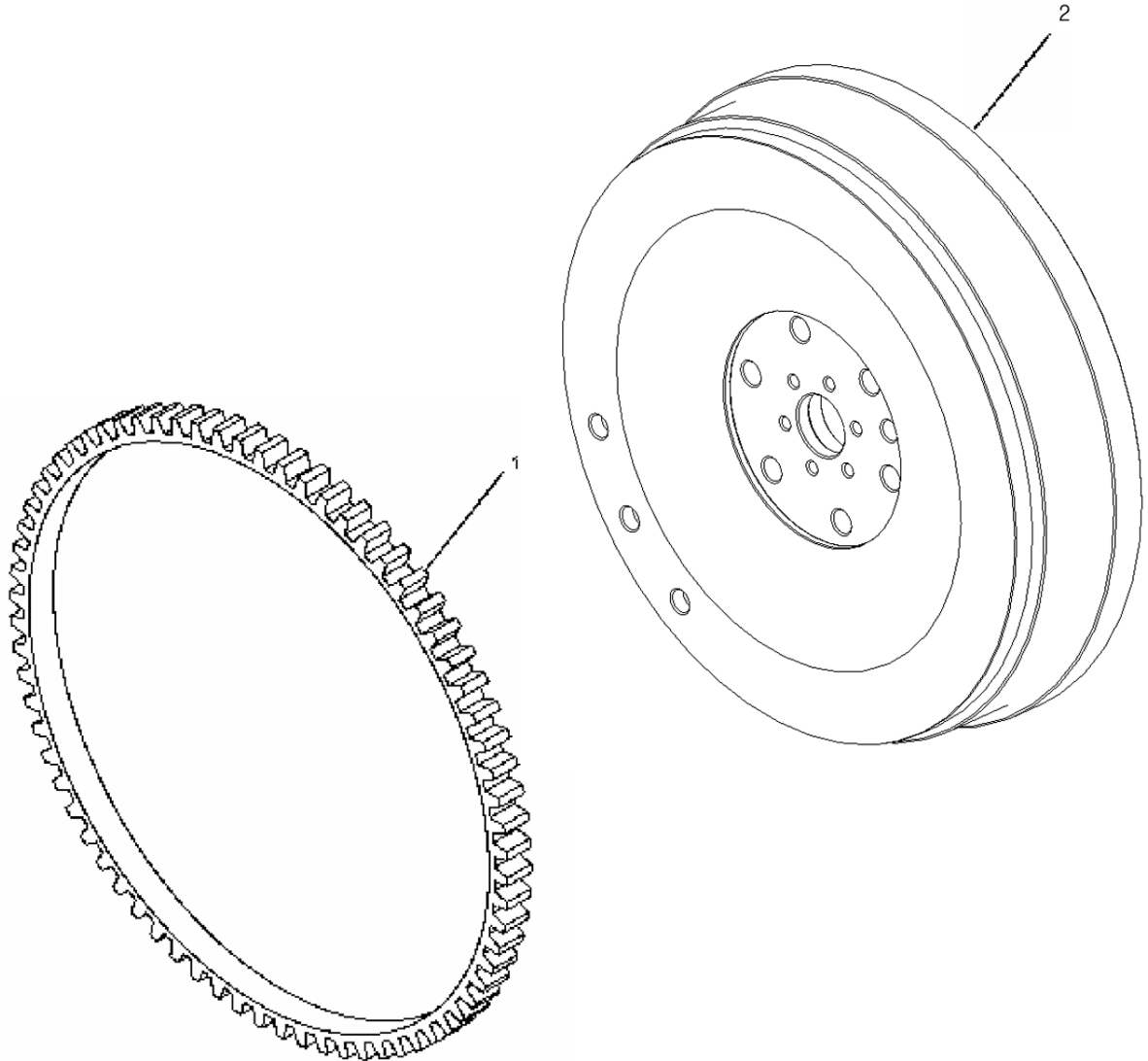
T1003/T903

FLYWHEEL GP

P1

Year / Month

2010 / 12



NOTE

FIG 118

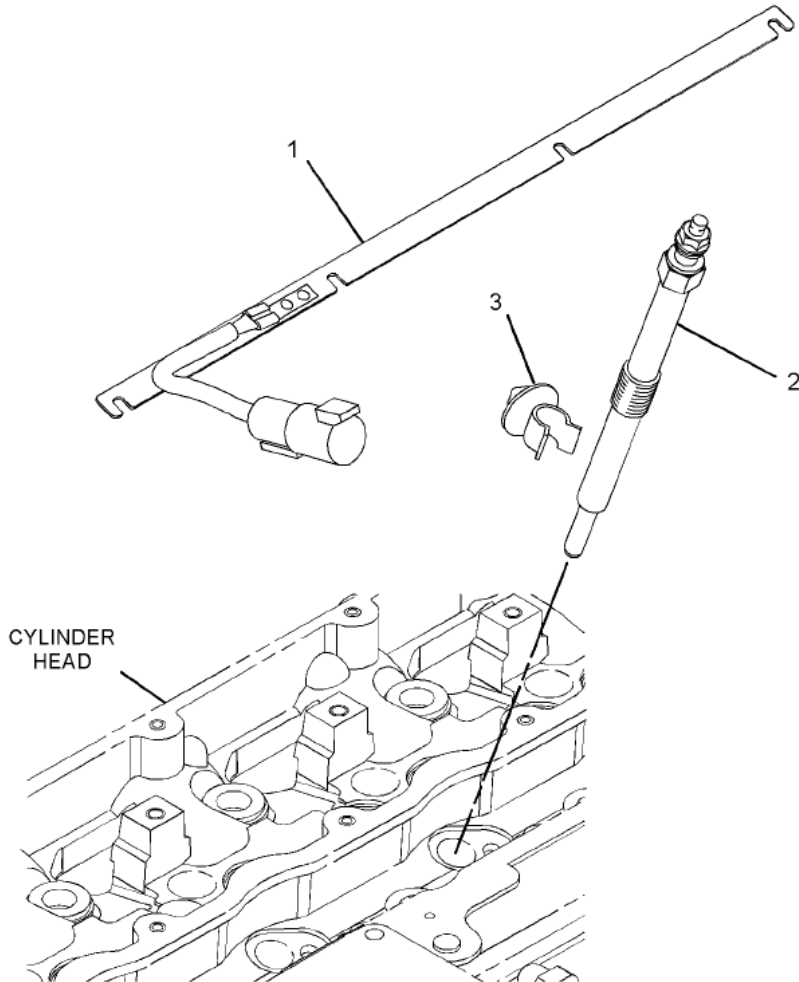
T1003/T903

GLOW PLUG GP

P1

Year / Month

2010 / 12



NOTE

FIG 119

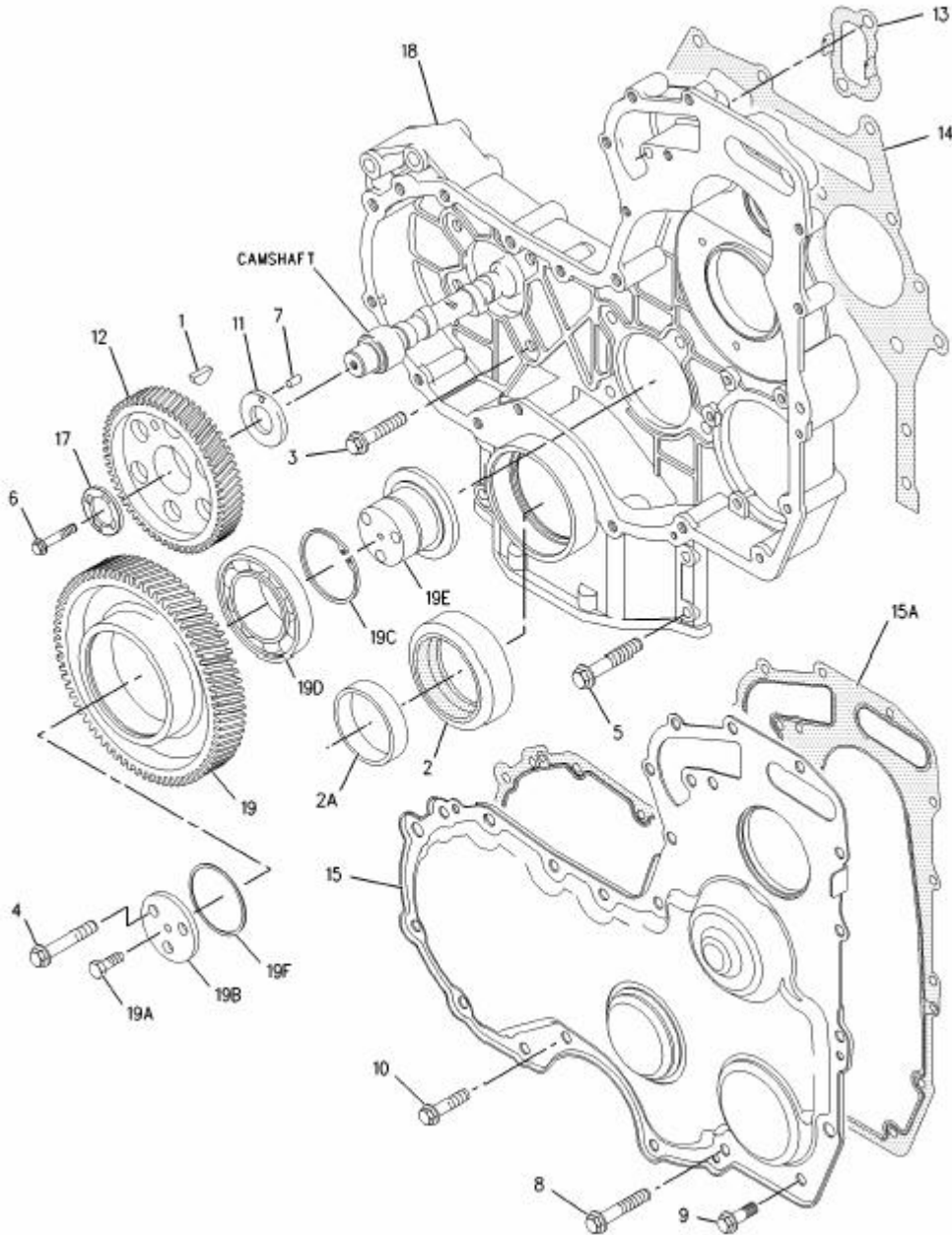
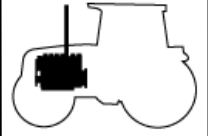
HOUSING GP-FRONT

T1003/T903

P1

Year / Month

2010 / 12



NOTE



FIG 120

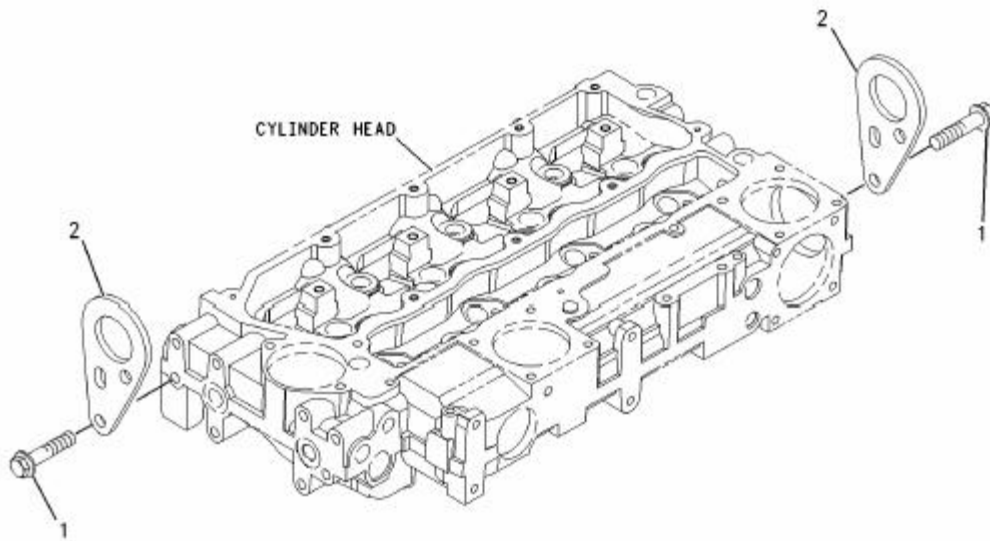
T1003/T903

LIFTING GP-ENGINE

P1

Year / Month

2010 / 12



NOTE

FIG 121

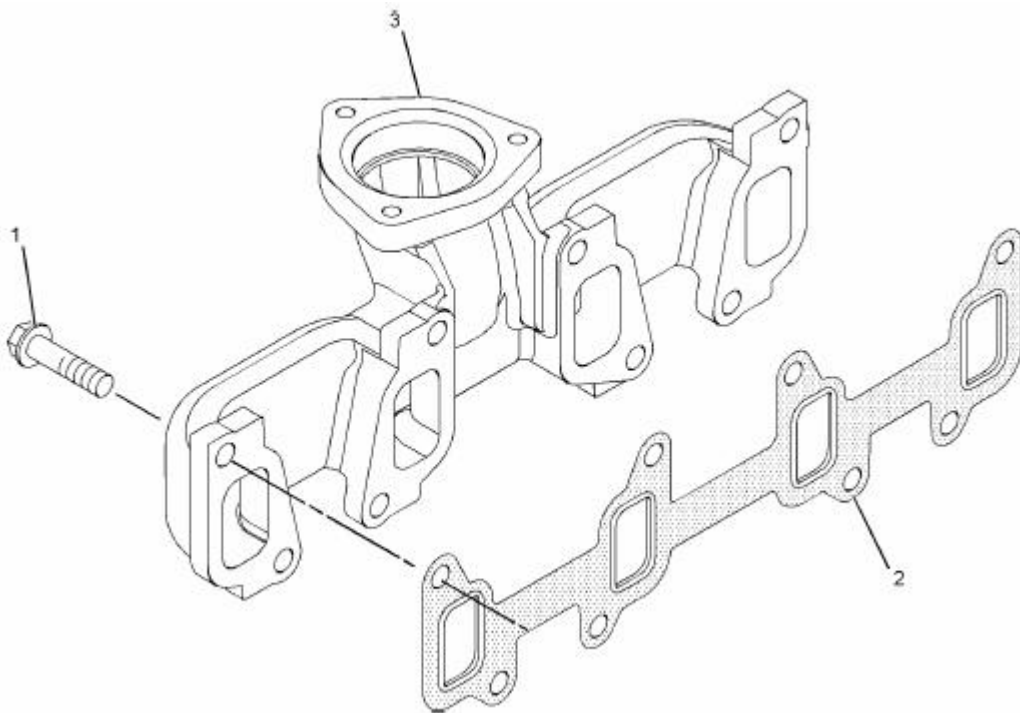
T1003/T903

MANIFOLD GP-EXHAUST

P1

Year / Month

2010 / 12



NOTE

FIG 122

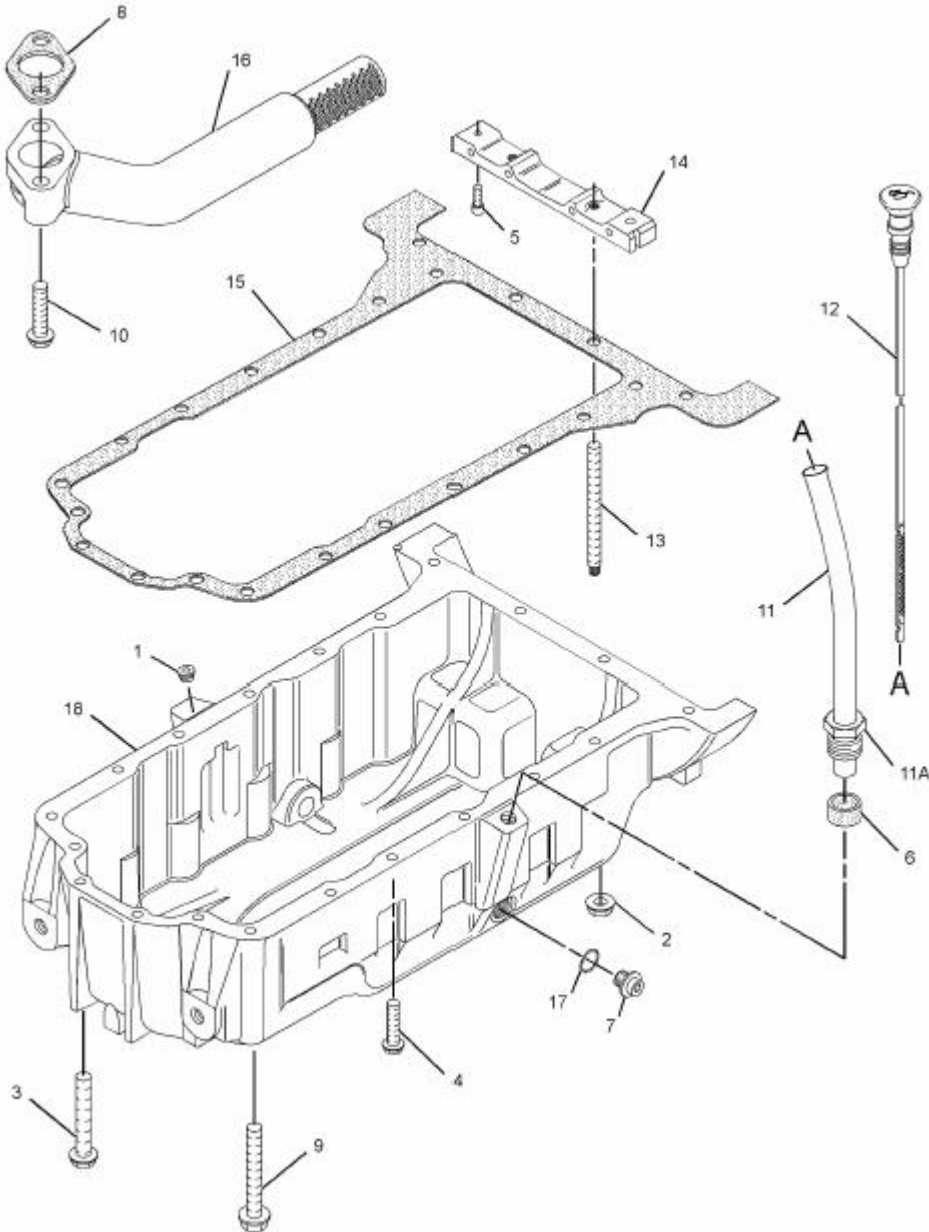
T1003/T903

PAN GP-OIL

P1

Year / Month

2010 / 12



NOTE

FIG 123

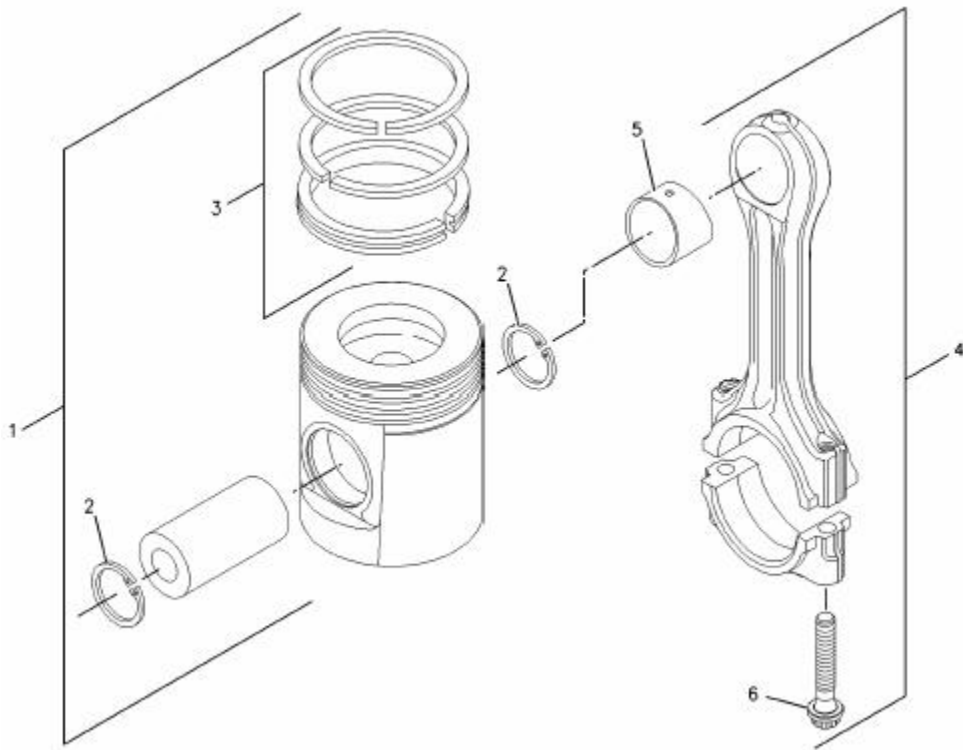
T1003/T903

PISTON & ROD GP

P1

Year / Month

2010 / 12



NOTE

FIG 123A

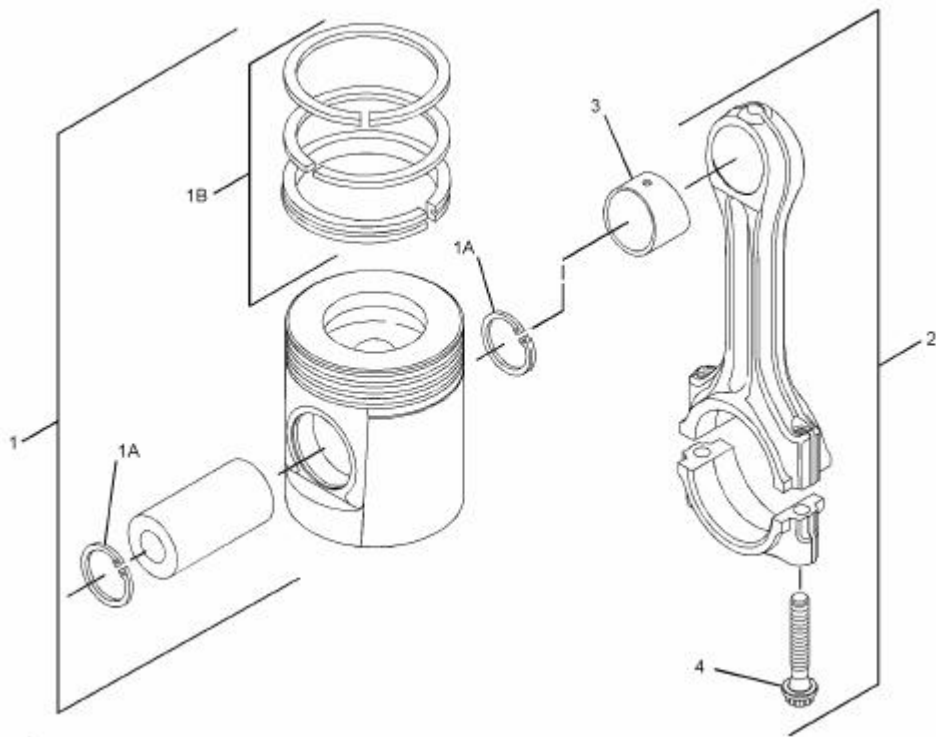
T1003/T903

PISTON & ROD GP

P1

Year / Month

2010 / 12



NOTE

FIG 124

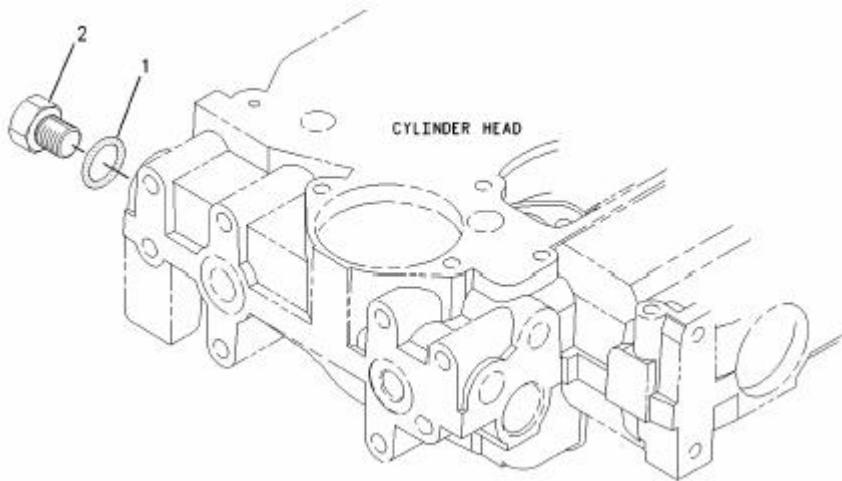
T1003/T903

PLUG GP-ENGINE

P1

Year / Month

2010 / 12



NOTE

FIG 125

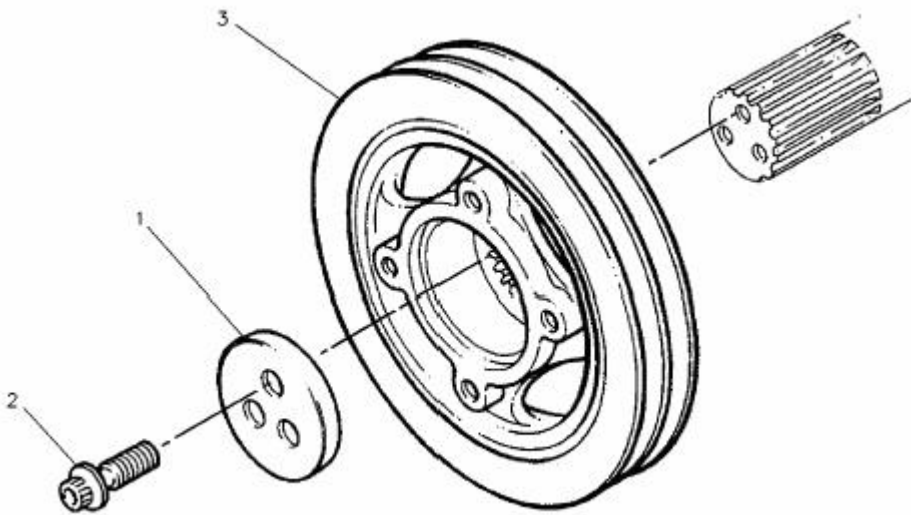
T1003/T903

PULLEY GP-CRANKSHAFT

P1

Year / Month

2010 / 12



NOTE

FIG 126

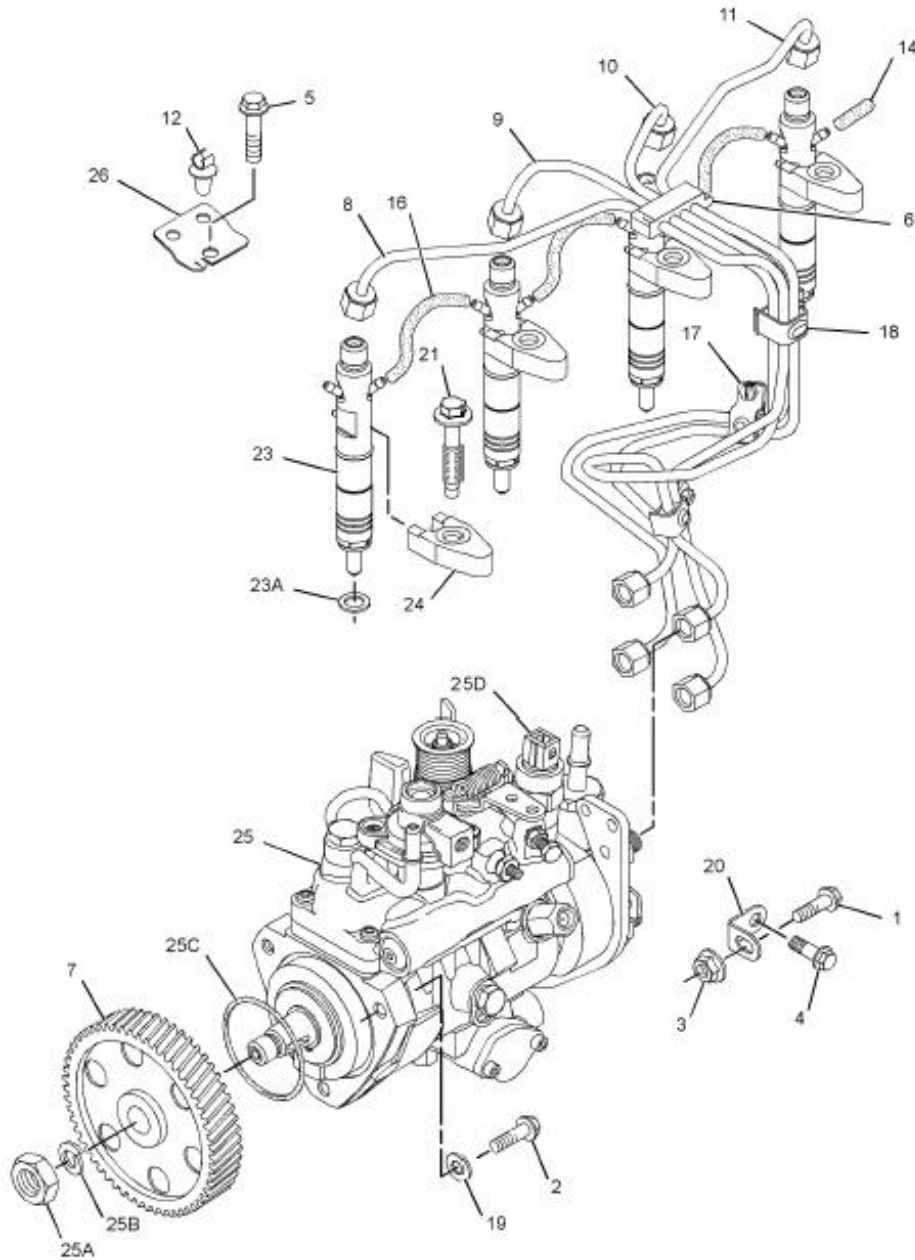
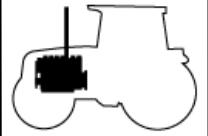
PUMP GP-FUEL INJECTION-T993

T1003/T903

P1

Year / Month

2010 / 12



NOTE



FIG 126A

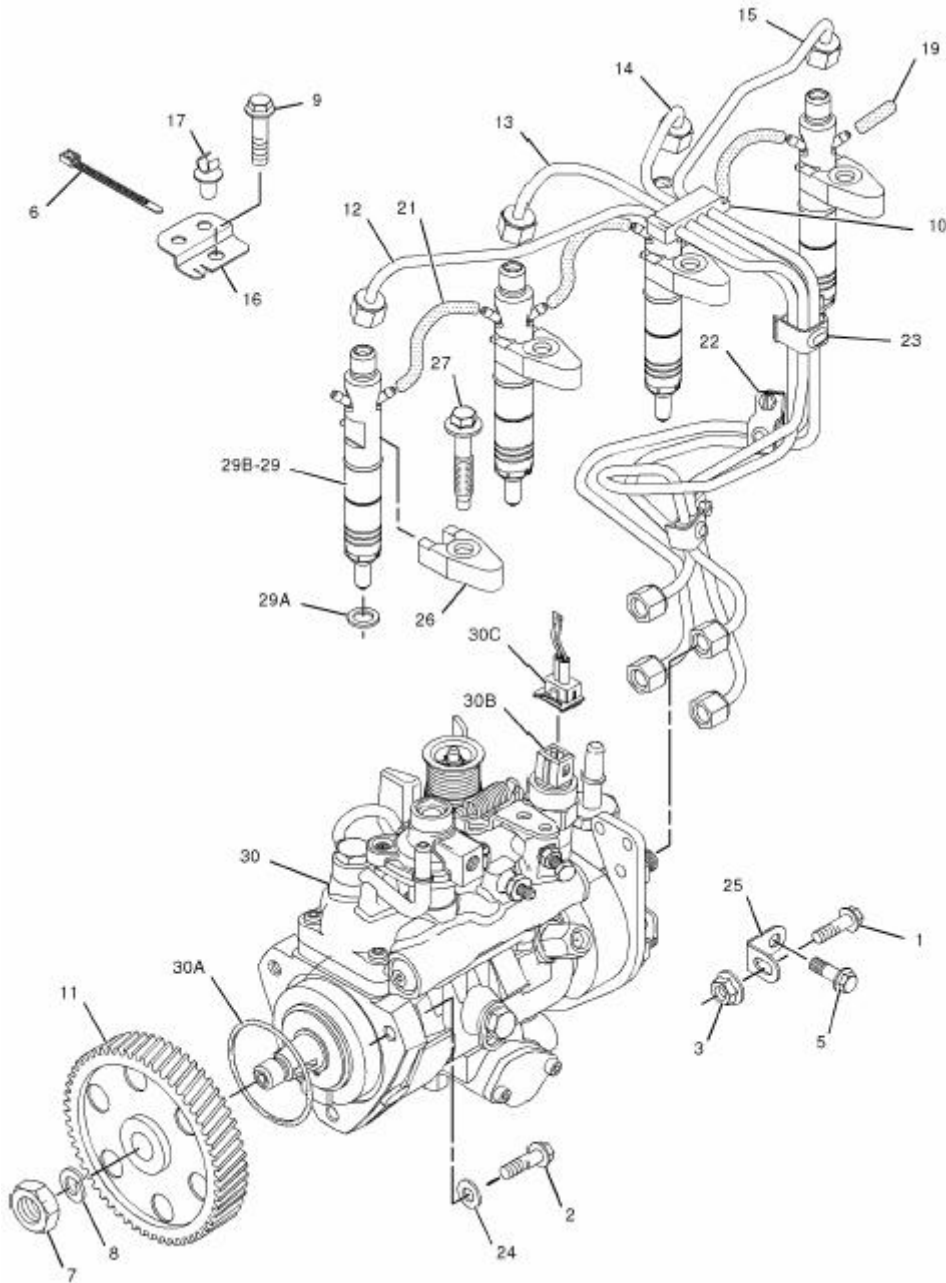
PUMP GP-FUEL INJECTION-T893

T1003/T903

P1

Year / Month

2010 / 12



NOTE

FIG 126B

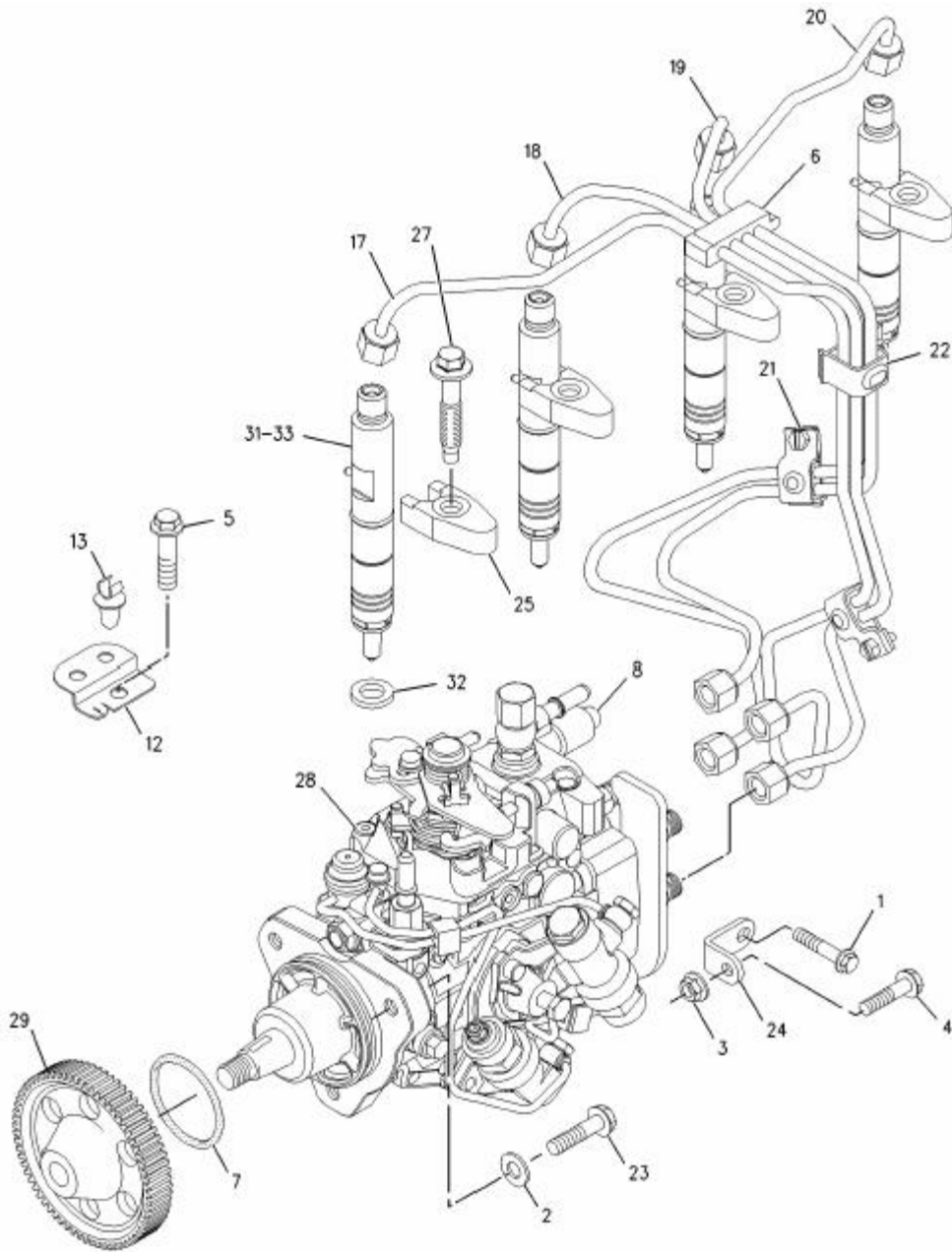
PUMP GP-FUEL INJECTION-T793

T1003/T903

P1

Year / Month

2010 / 12



NOTE

FIG 127

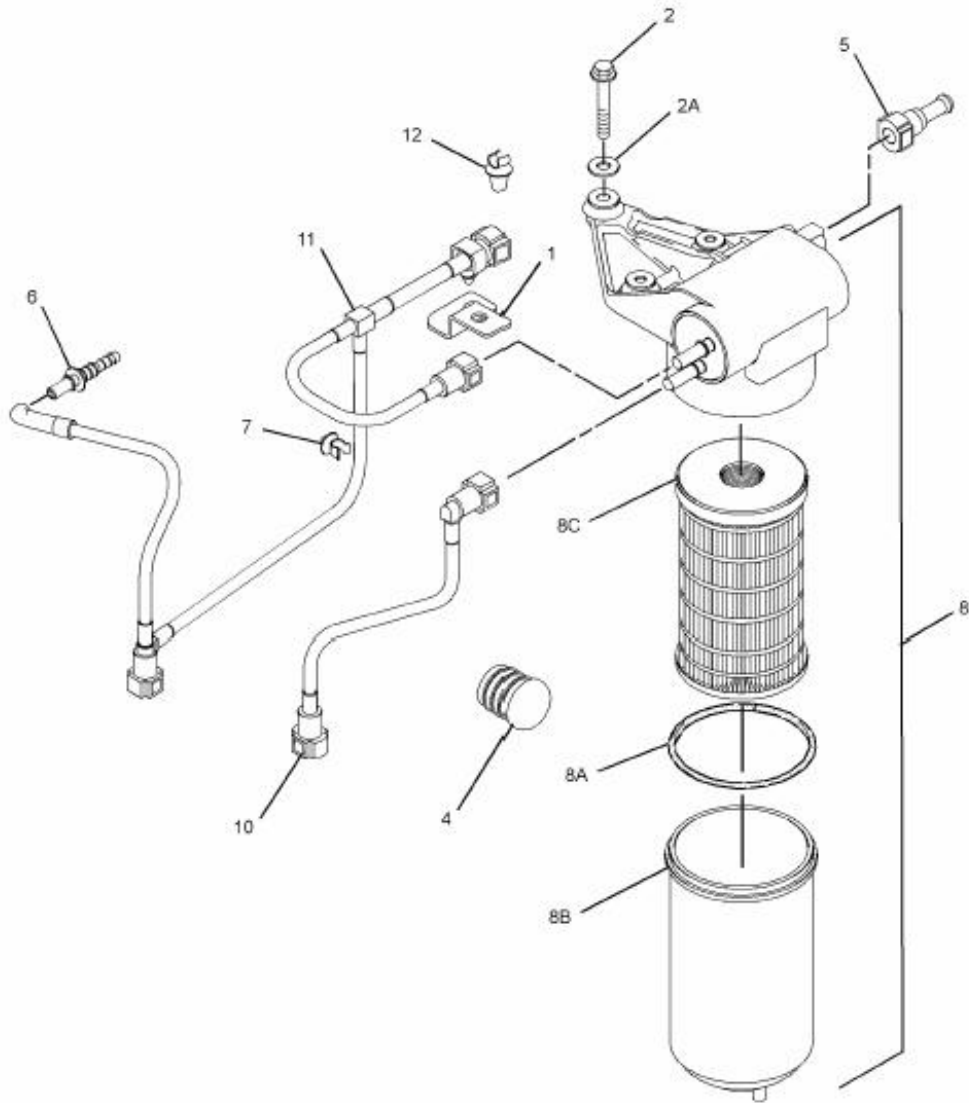
T1003/T903

PUMP GP-FUEL PRM & PRIM FILTER

P1

Year / Month

2010 / 12



NOTE

FIG 127A

PUMP GP-FUEL PRM & PRIM FILTER

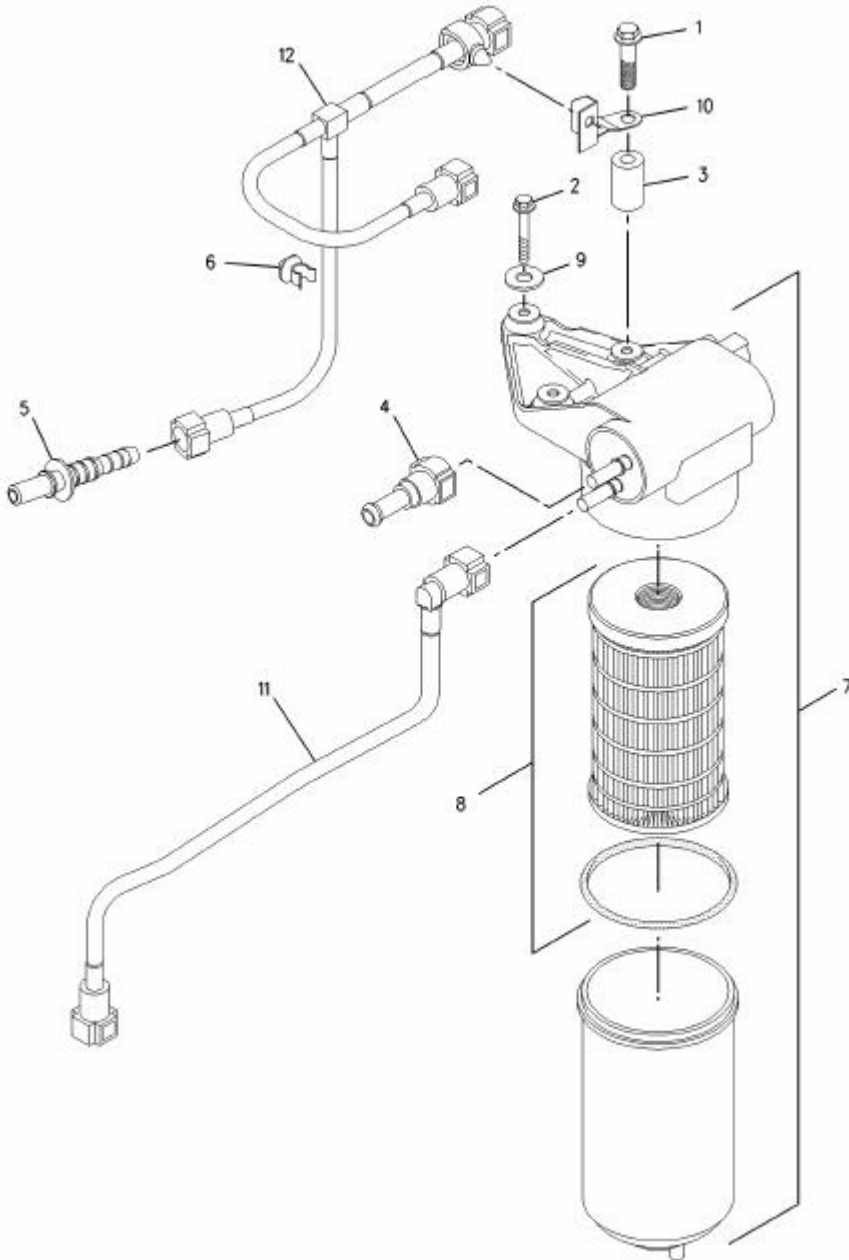
P1

Year / Month

2010 / 12



T1003/T903



NOTE

FIG 128

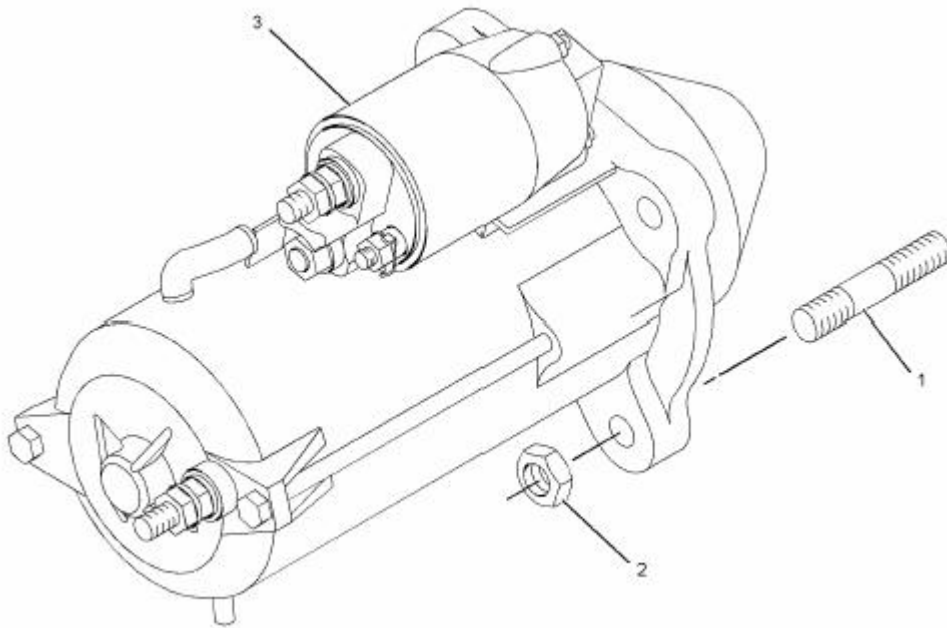
T1003/T903

STARTING MOTOR GP

P1

Year / Month

2010 / 12



NOTE

FIG 129

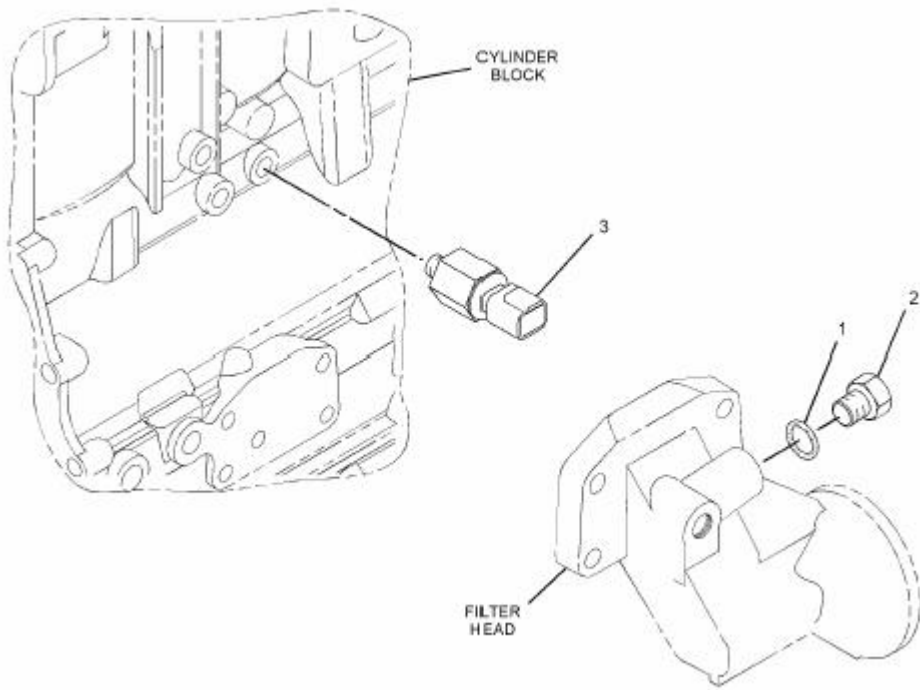
T1003/T903

SWITCH GP-PRESSURE

P1

Year / Month

2010 / 12



NOTE

FIG 130

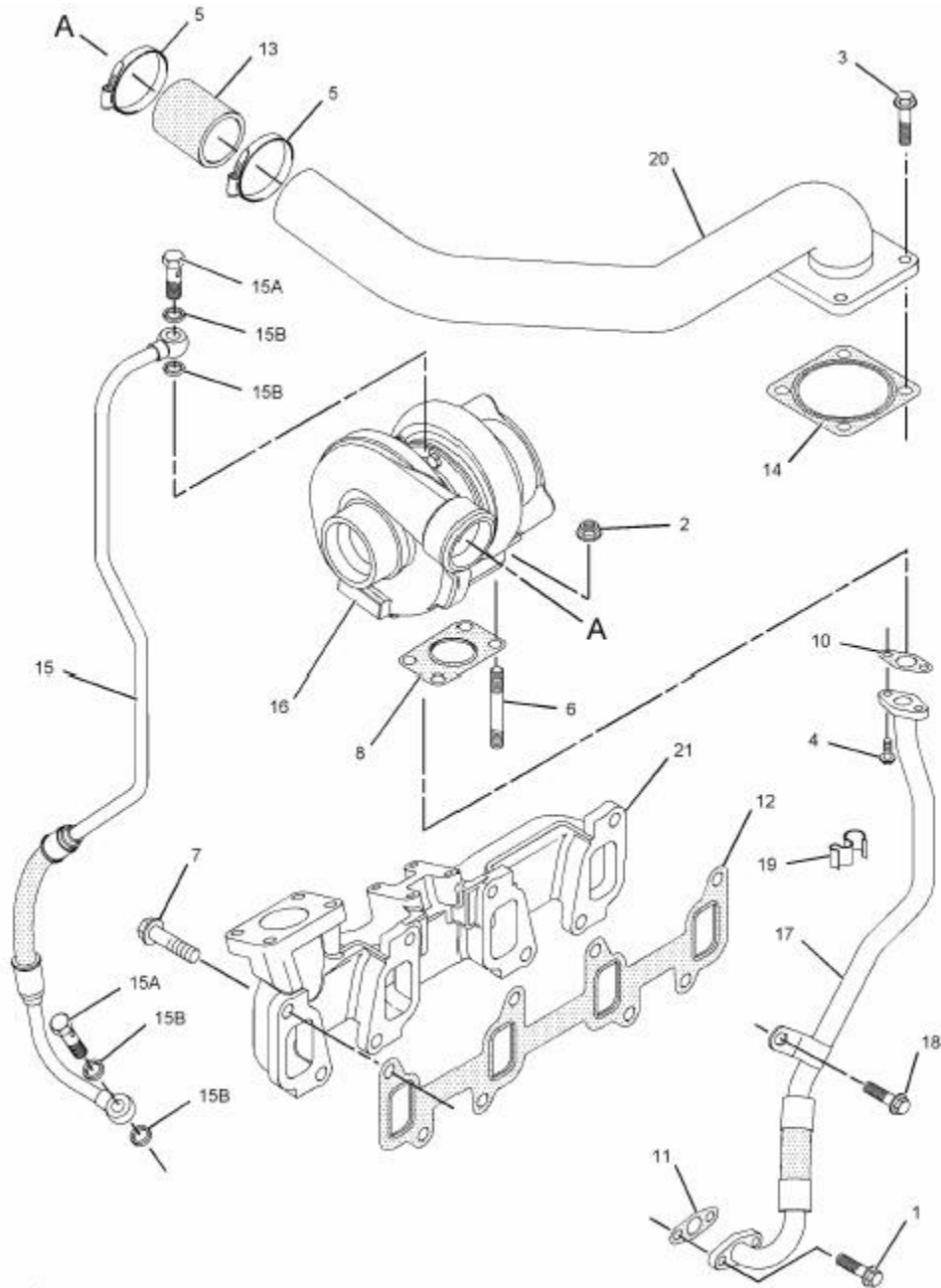
T1003/T903

TURBOCHARGER GP

P1

Year / Month

2010 / 12



NOTE

FIG 131

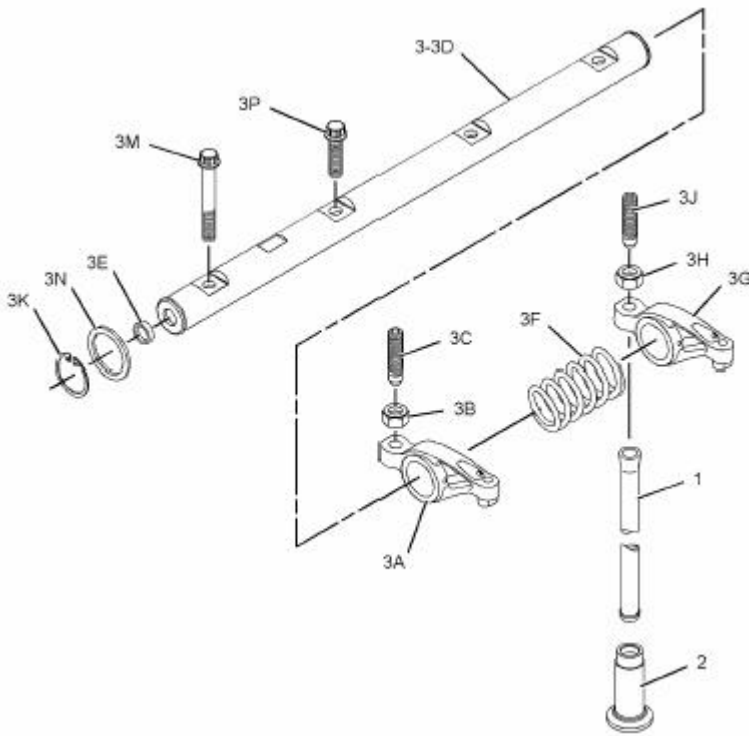
T1003/T903

VALVE MECHANISM GP

P1

Year / Month

2010 / 12



NOTE



FIG 132

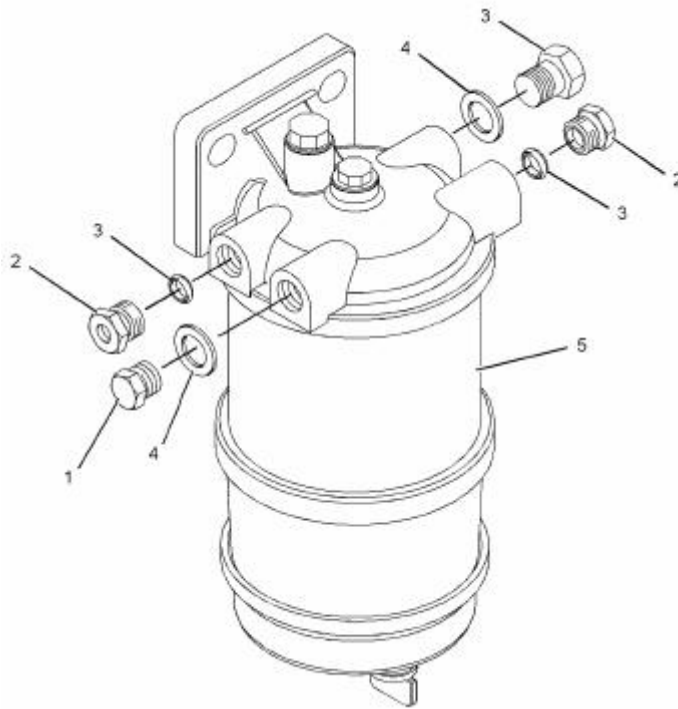
T1003/T903

SEPARATOR GP-WATER

P1

Year / Month

2010 / 12



NOTE