

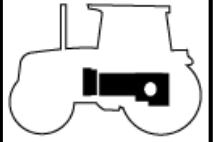
FIG 401

CASE SUB, RR TRANSMISSION

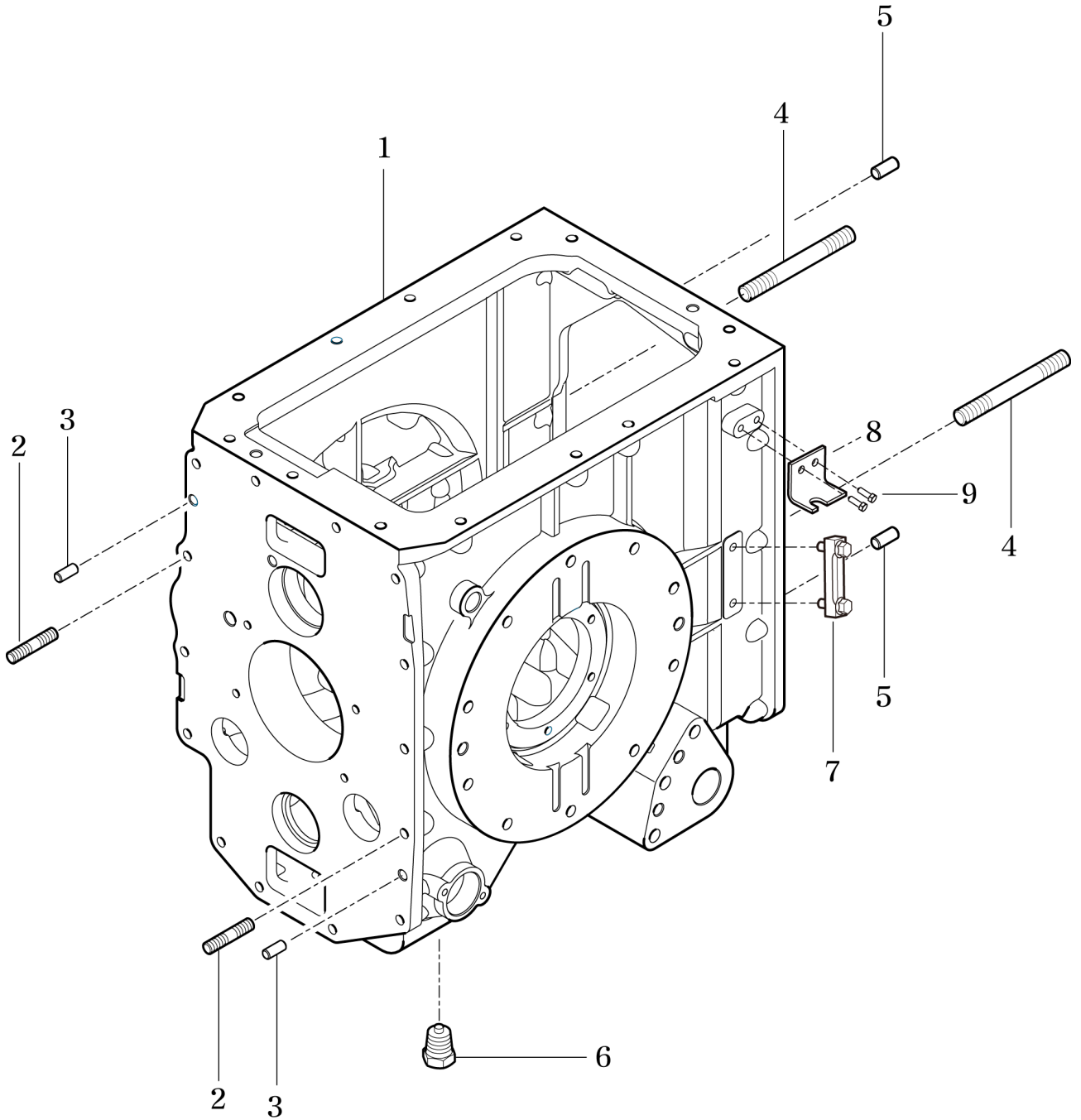
P1

Year / Month

2010 / 12



T1003/T903/T803



T953-K-401

NOTE

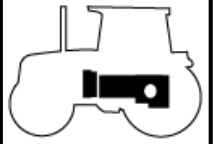
FIG 402A

METAL SUB ASSY, PINION

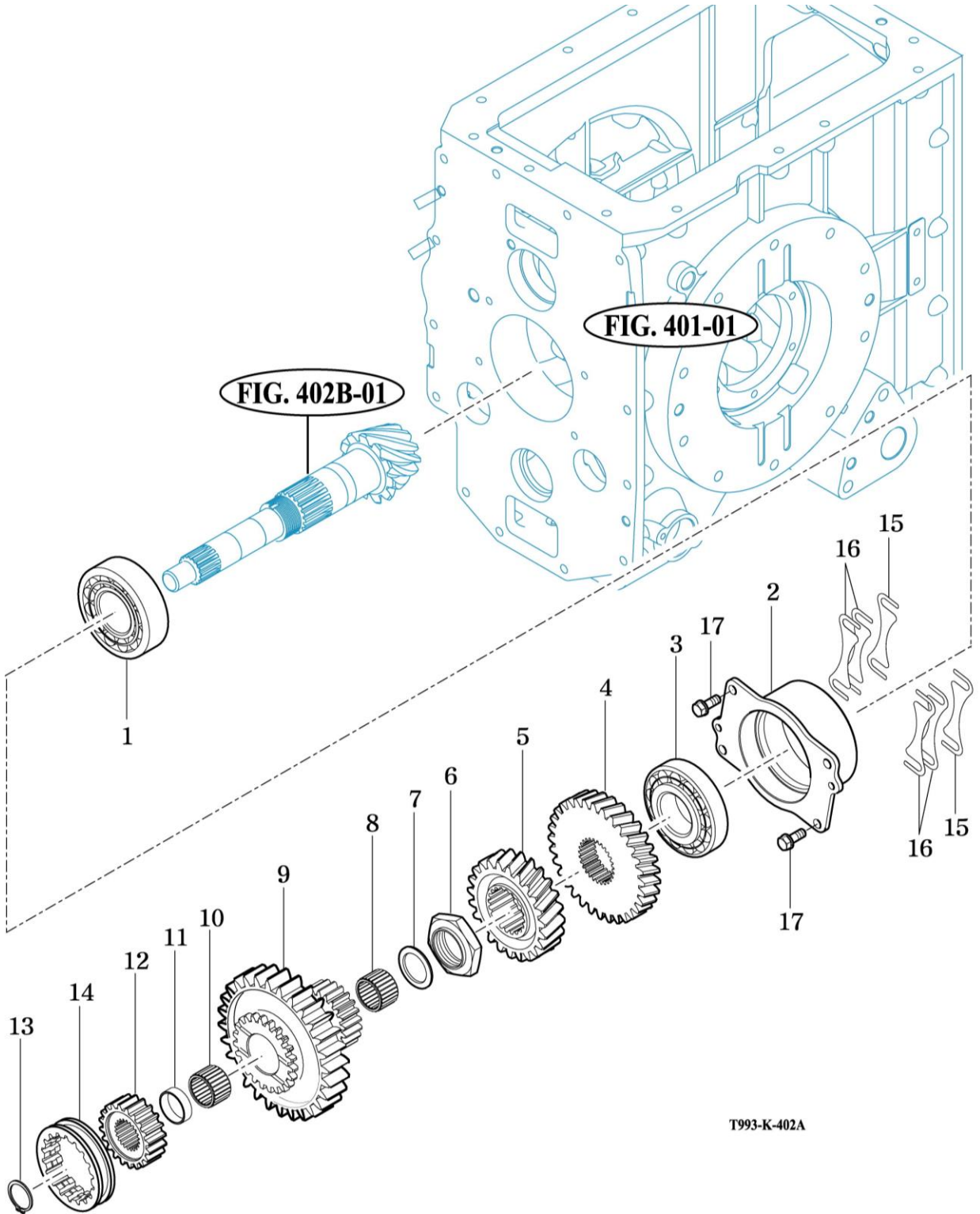
P1

Year / Month

2010 /12

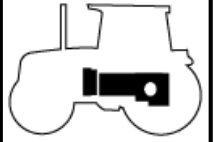


T1003/T903/T803

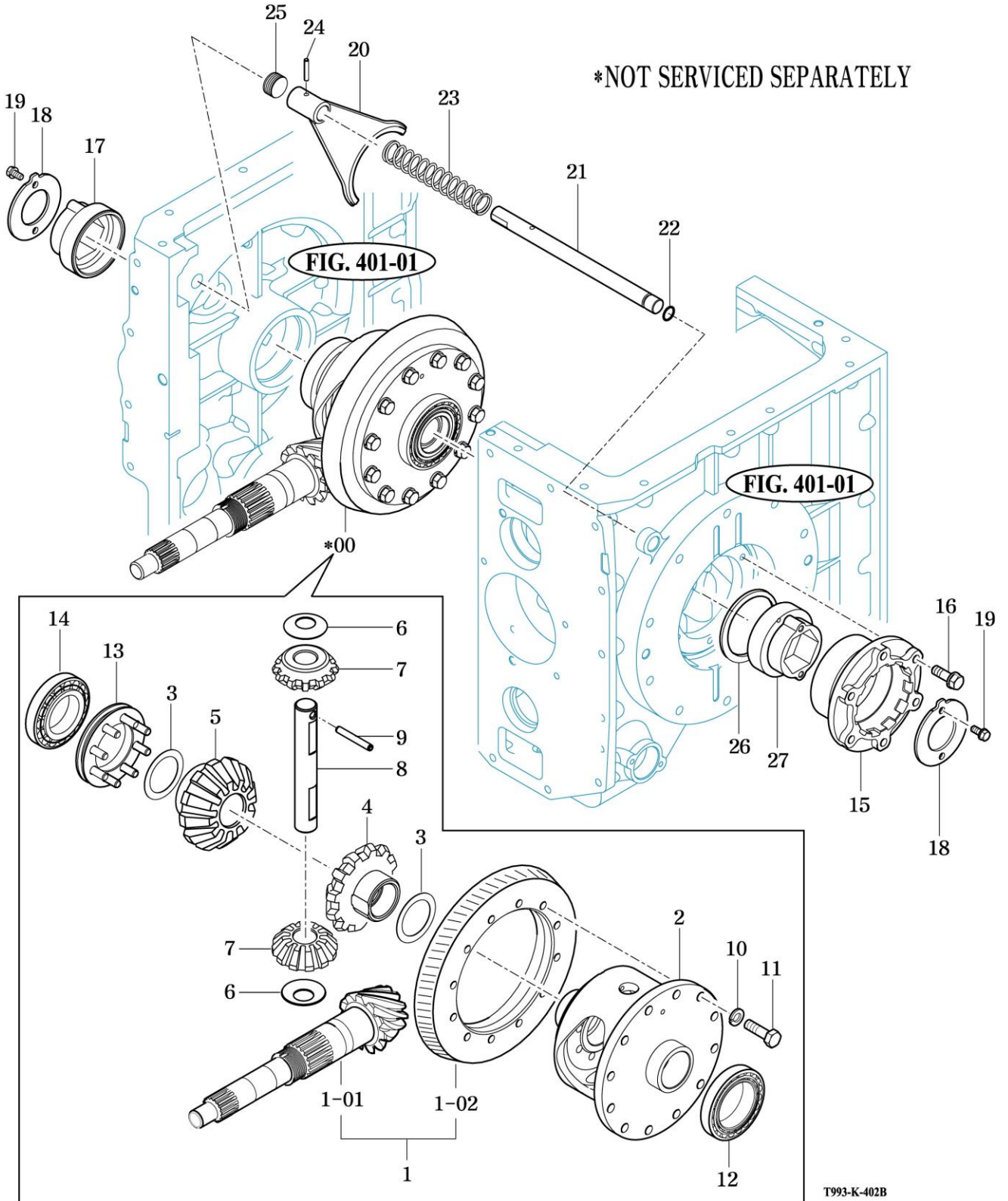


T993-K-402A

NOTE



T1003/T903/T803



T993-K-402B

NOTE

FIG 403

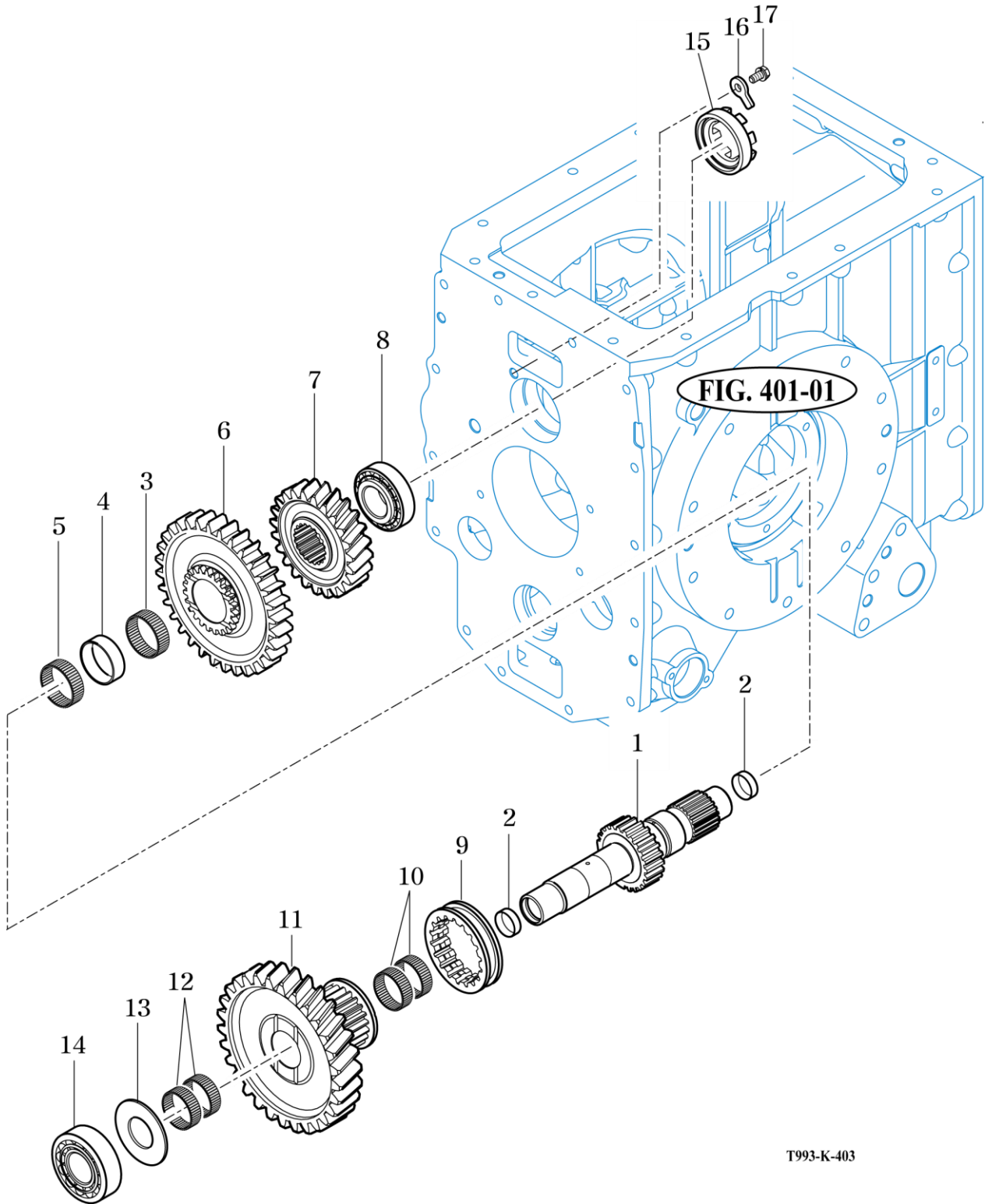
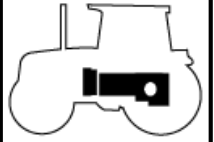
SUB CHANGE GEARS

T1003/T903/T803

P1

Year / Month

2010 / 12



T993-K-403

NOTE

FIG 404

SUB CHANGE LEVER

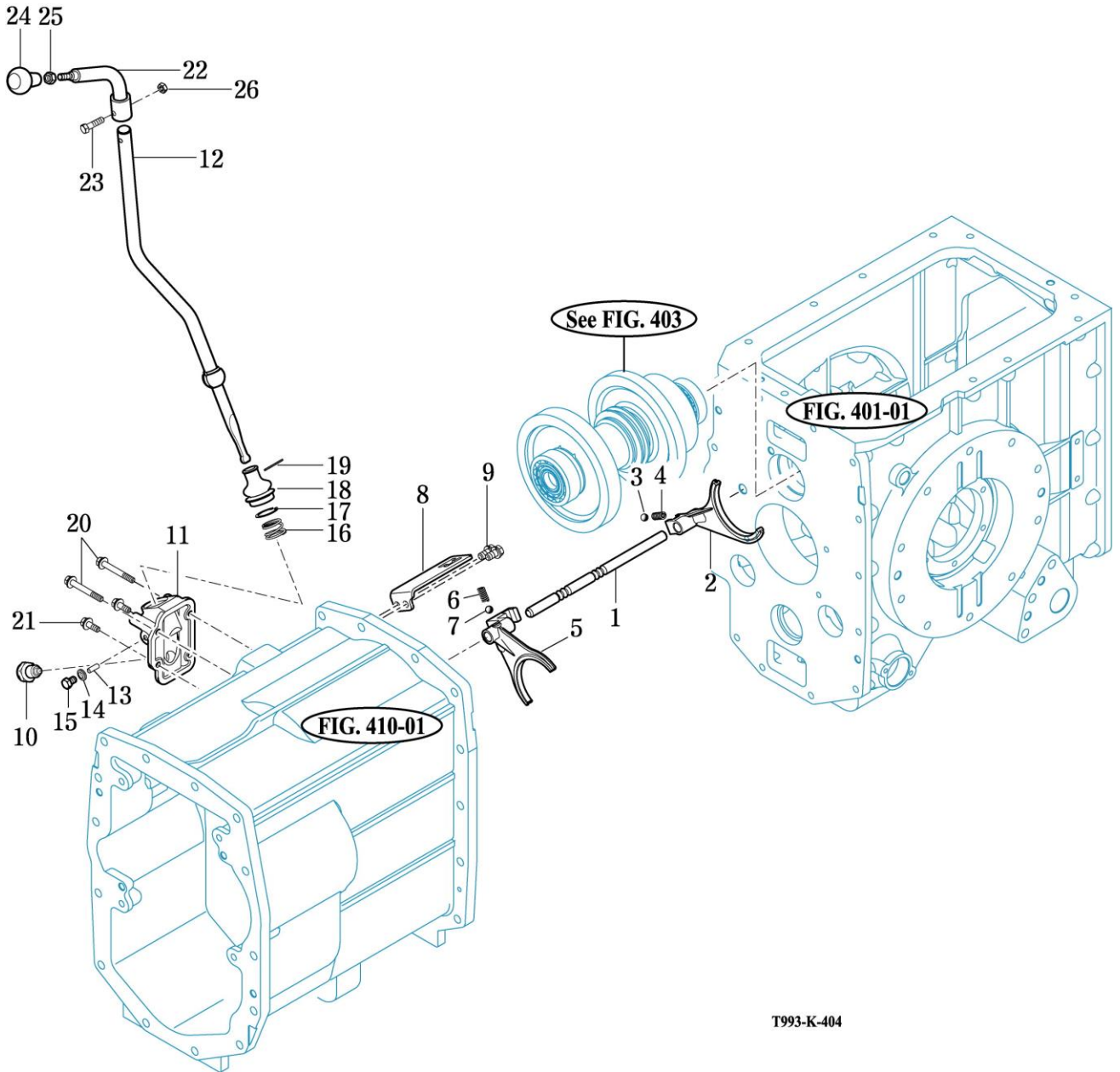
P1

Year / Month

2010 /12



T1003/T903/T803



T993-K-404

NOTE

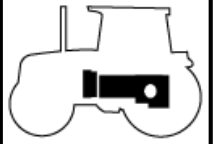
FIG 405

4WD DRIVE GEARS

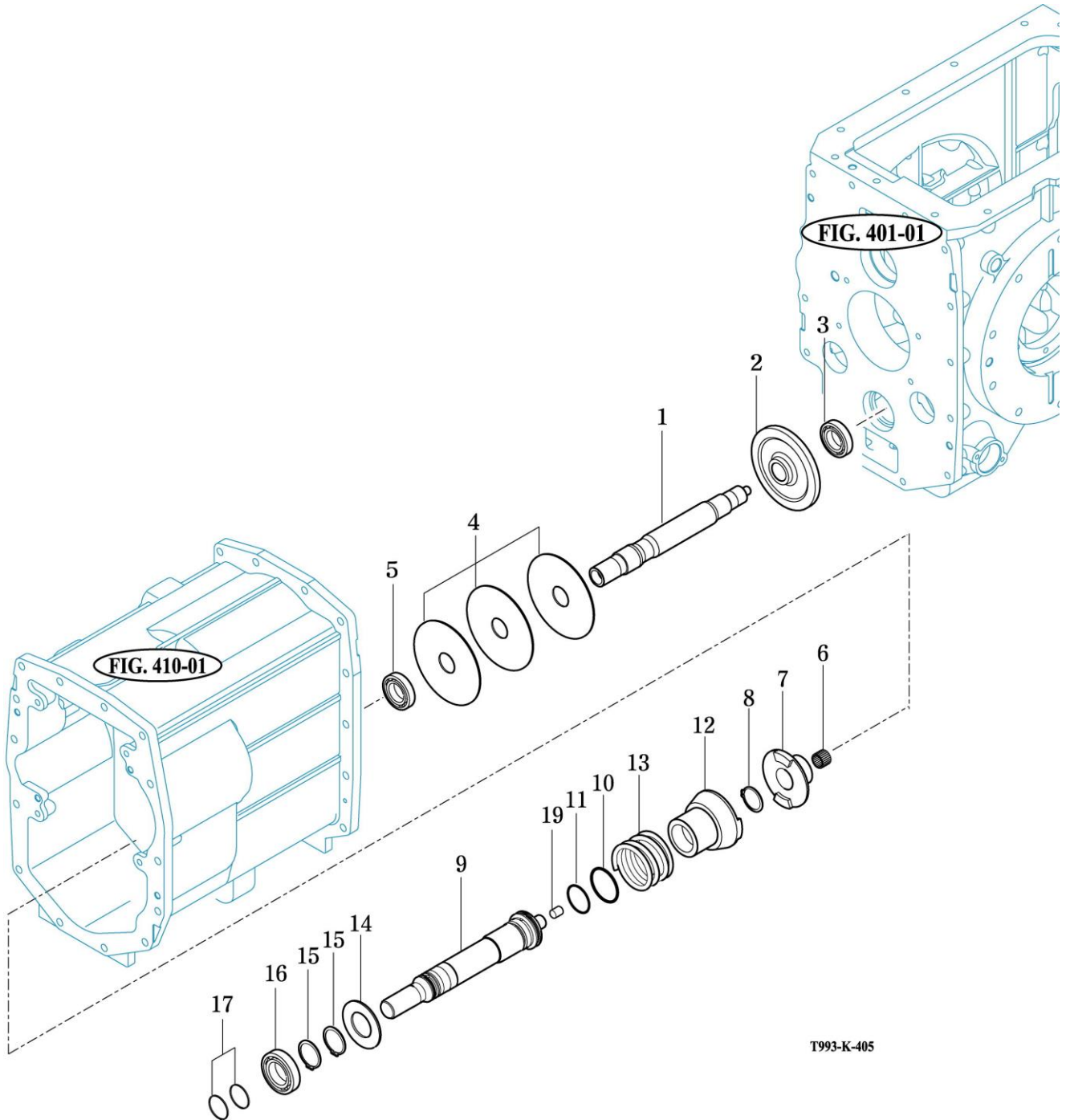
P1

Year / Month

2010 /12



T1003/T903/T803



T993-K-405

NOTE

FIG 405A

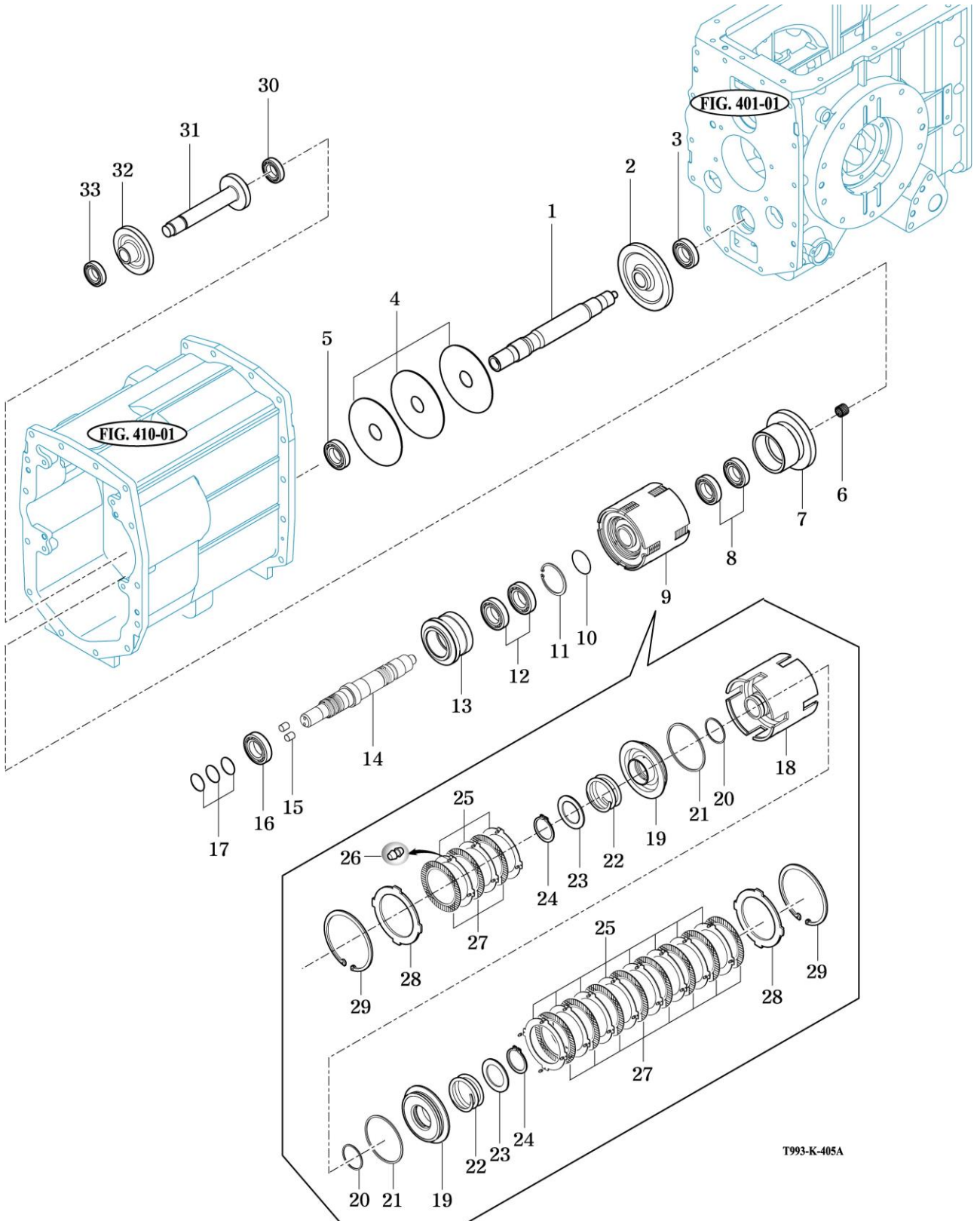
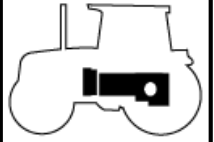
T1003/T903/T803

QUICK TURN DRIVE GEARS (OPTION :AQ)

P1

Year / Month

2010 /12



NOTE

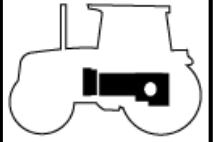
FIG 407

540,750,1000 PTO CASE

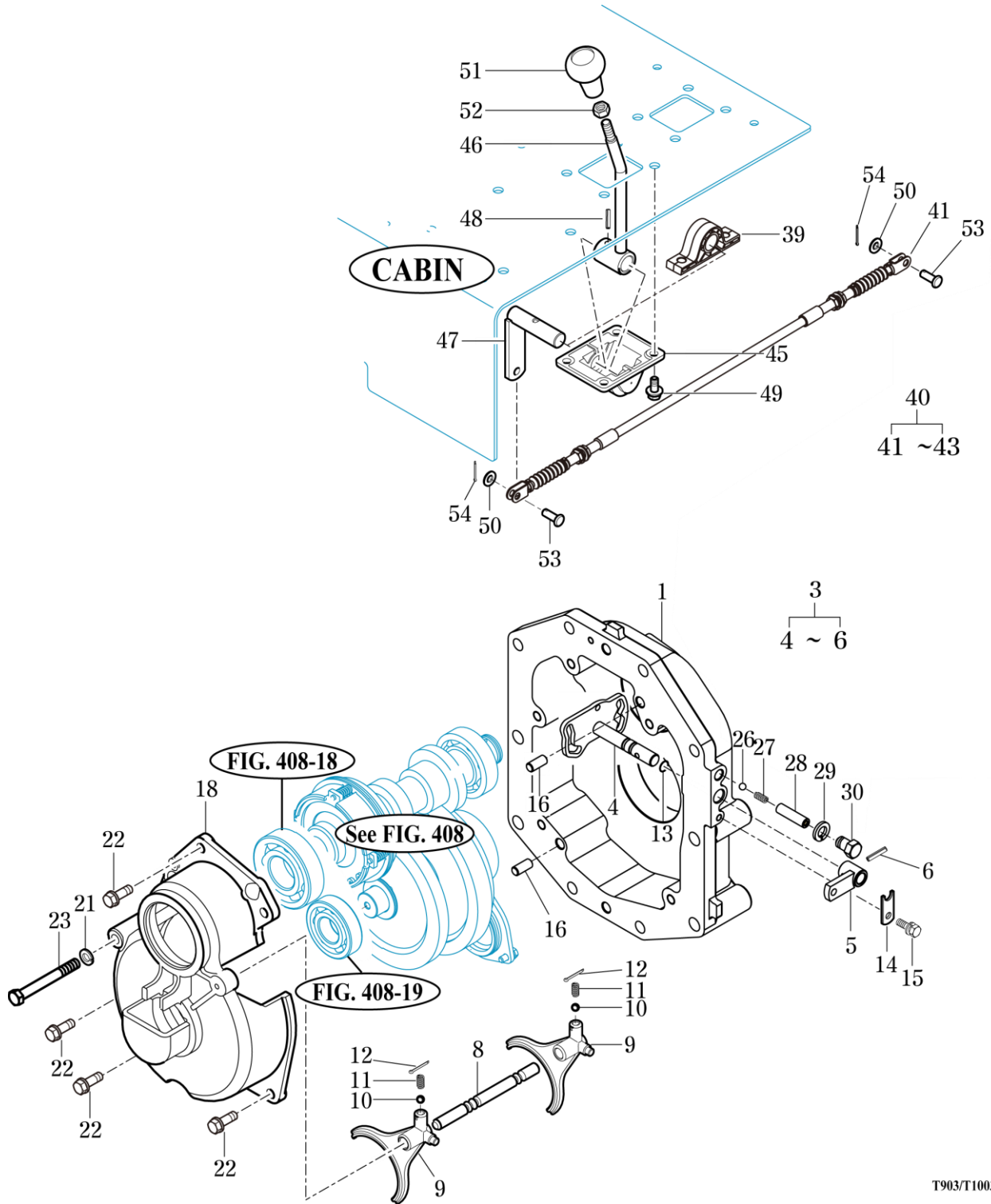
P1

Year / Month

2010 /12



T1003/T903/T803



T903/T1003-K-407

NOTE

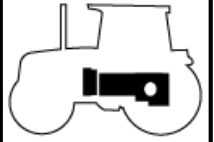
FIG 408A

SHAFT, PTO

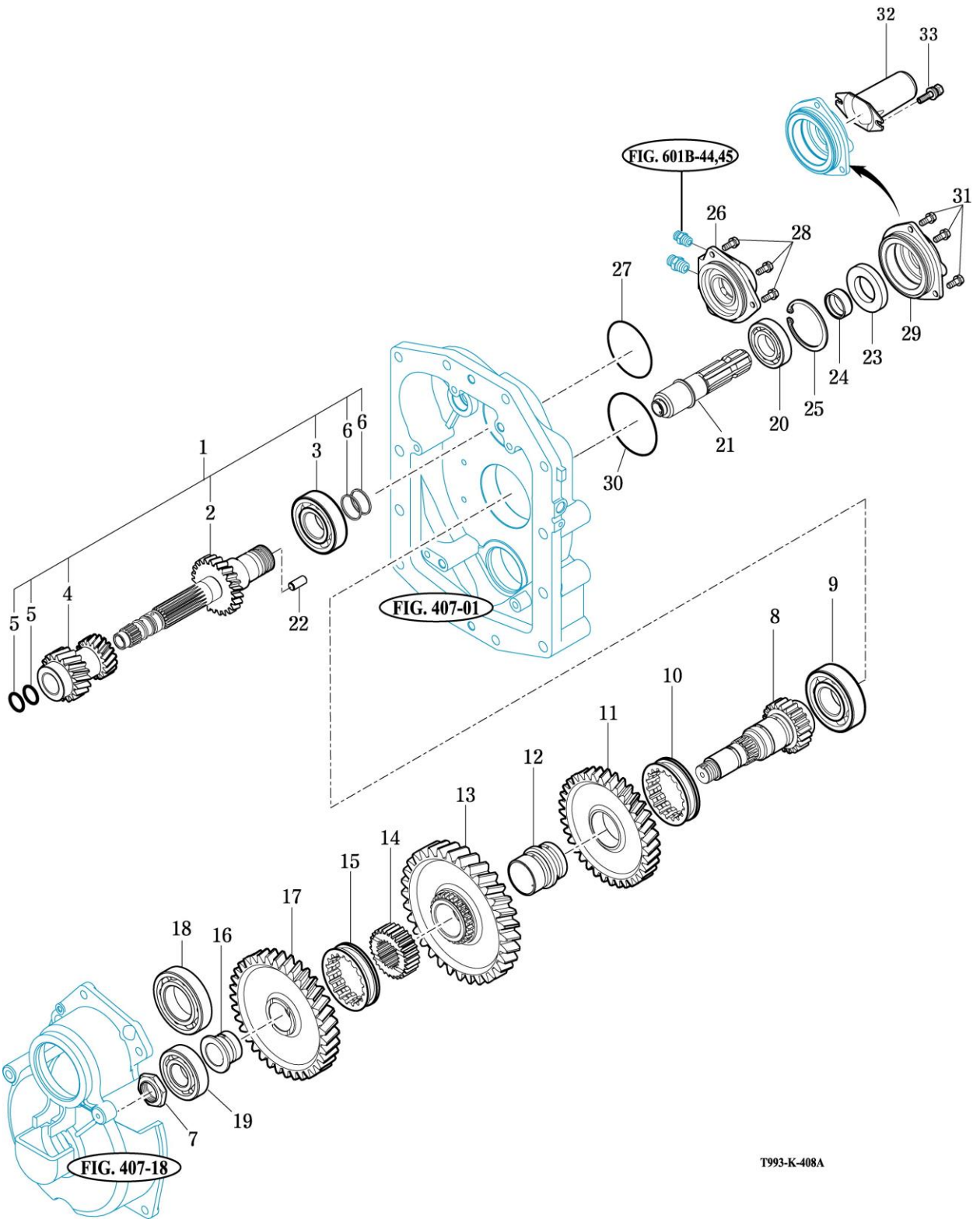
P1

Year / Month

2010 / 12



T1003/T903/T803



T993-K-408A

NOTE

FIG 408B

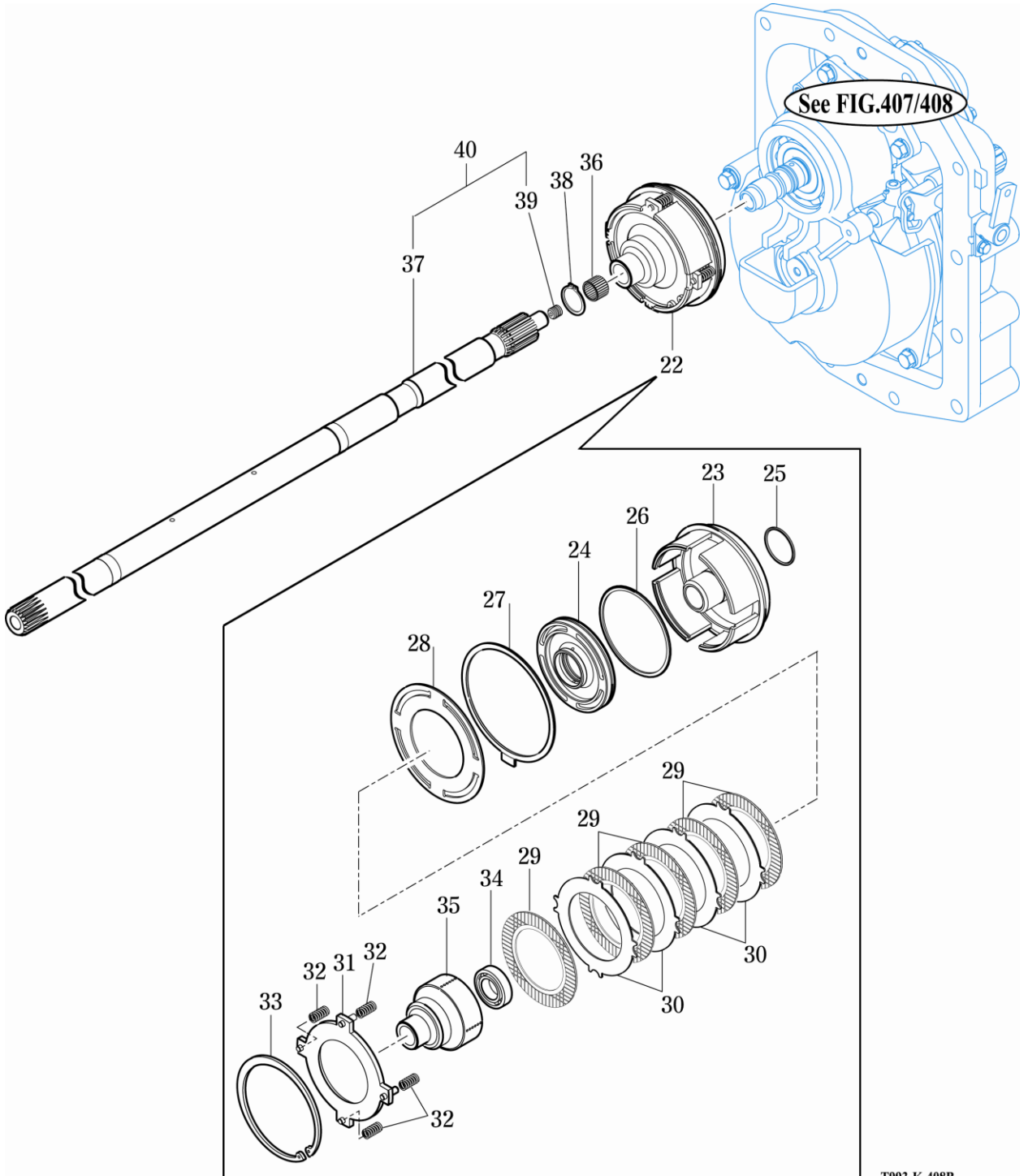
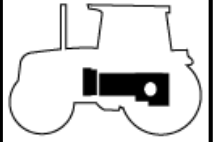
PTO CLUTCH ASSY

T1003/T903/T803

P1

Year / Month

2010 /12



T993-K-408B

NOTE

FIG 409

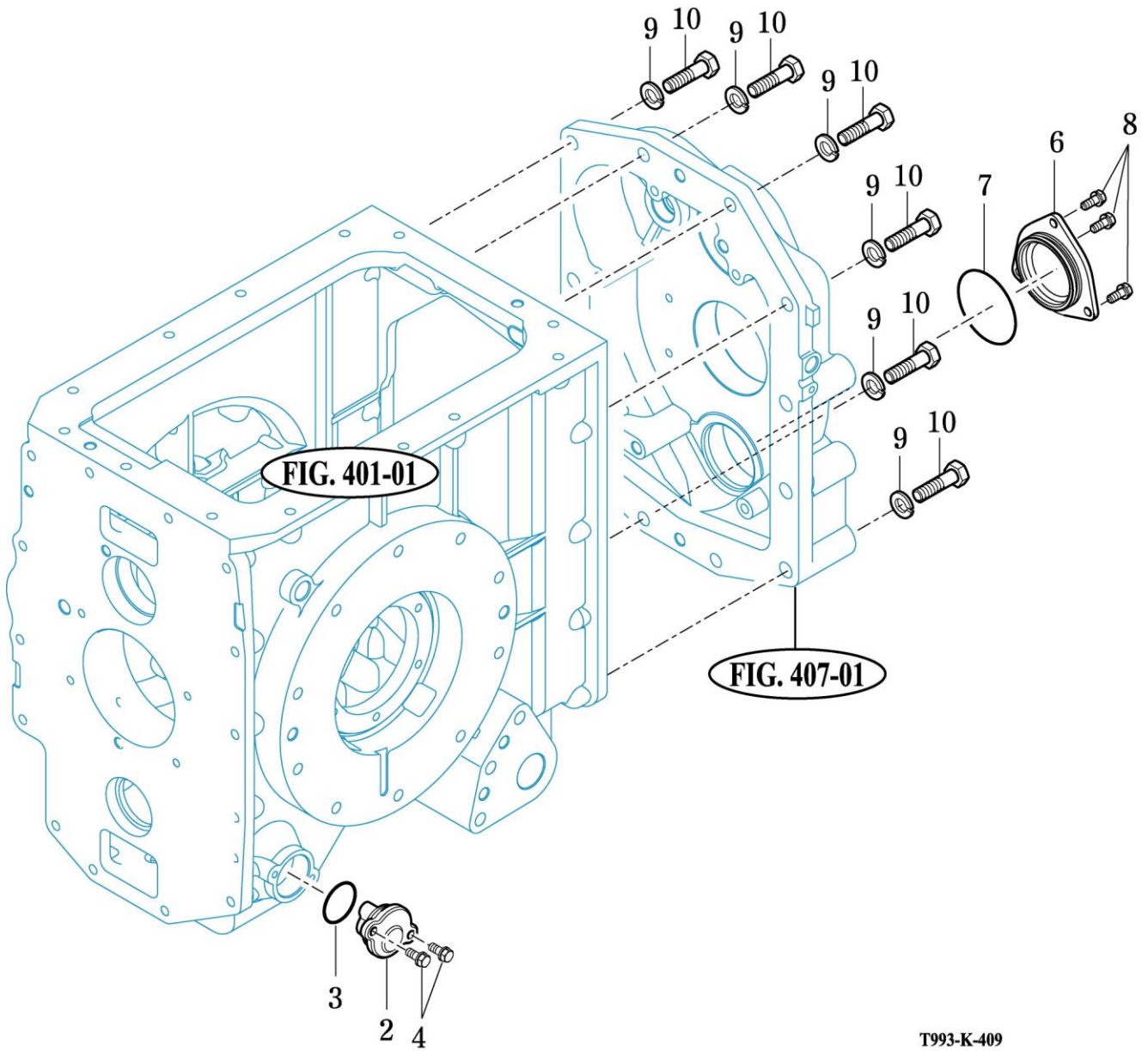
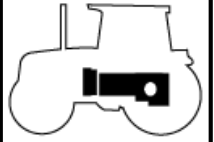
METAL SUB ASSY

T1003/T903/T803

P1

Year / Month

2010 /12



T993-K-409

NOTE

FIG 410

CASE, MID TRANSMISSION

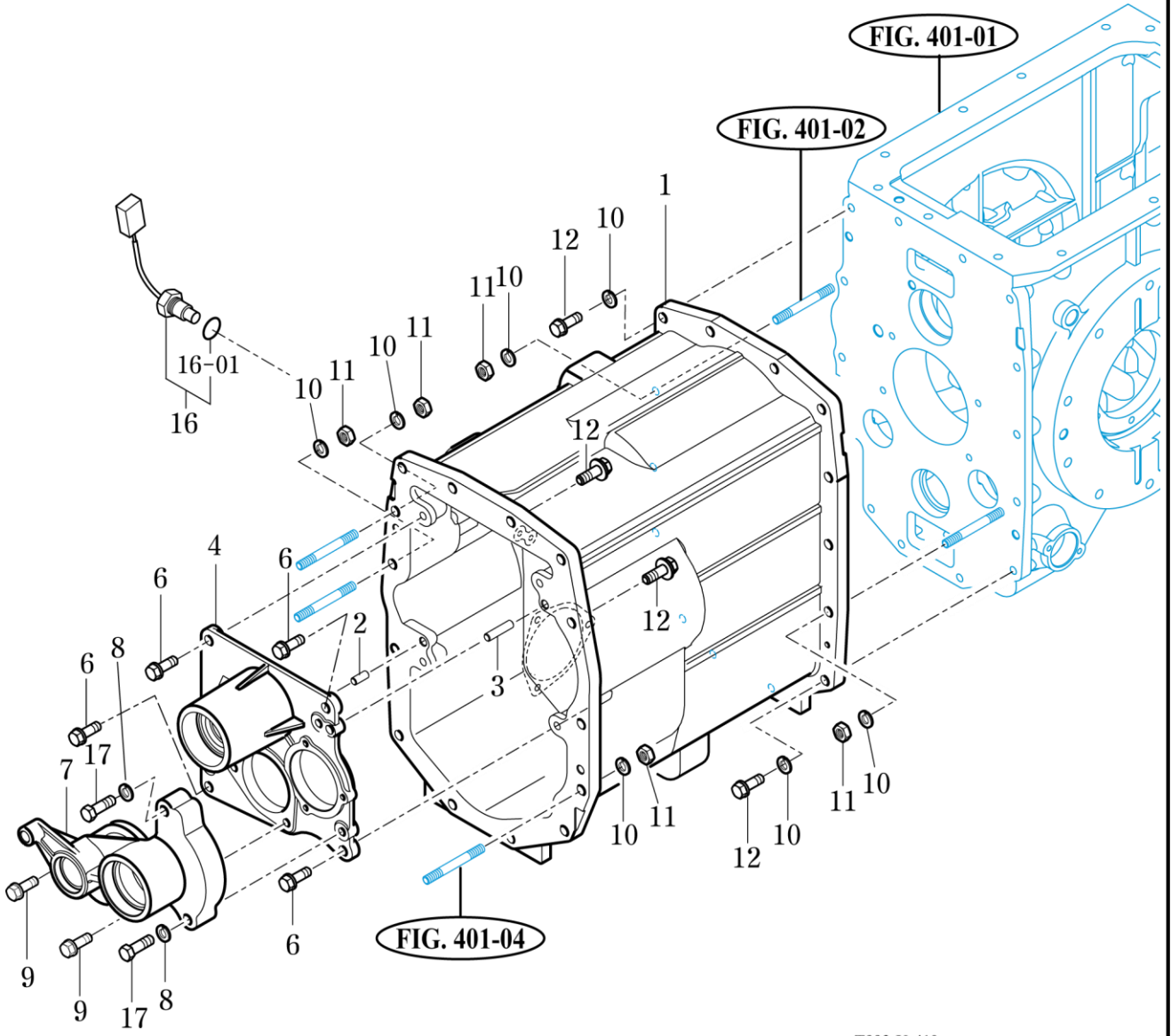
P1

Year / Month

2010 /12

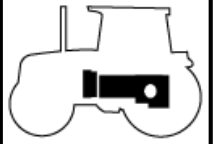


T1003/T903/T803

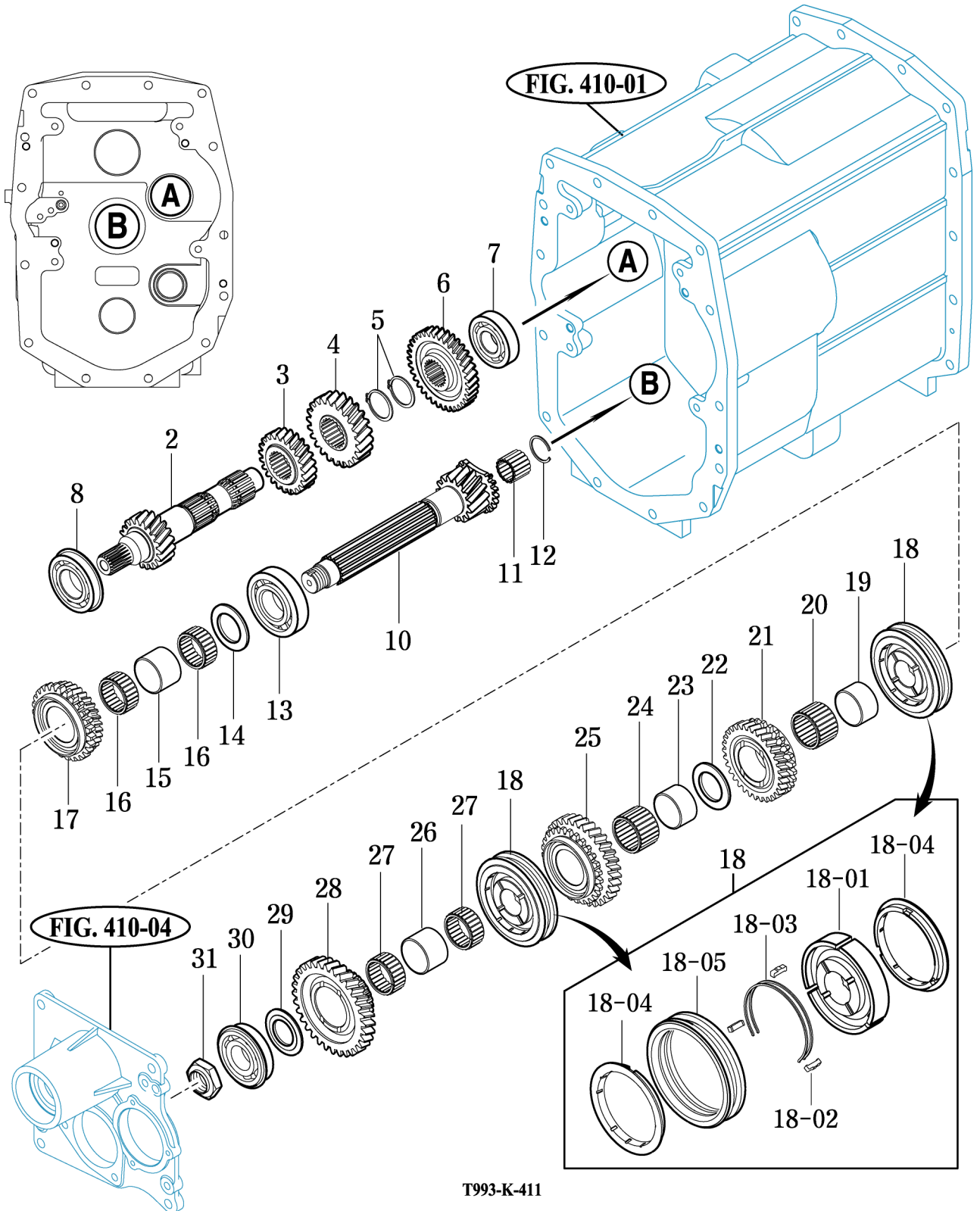


T993-K-410

NOTE



T1003/T903/T803



T993-K-411

NOTE

FIG 412

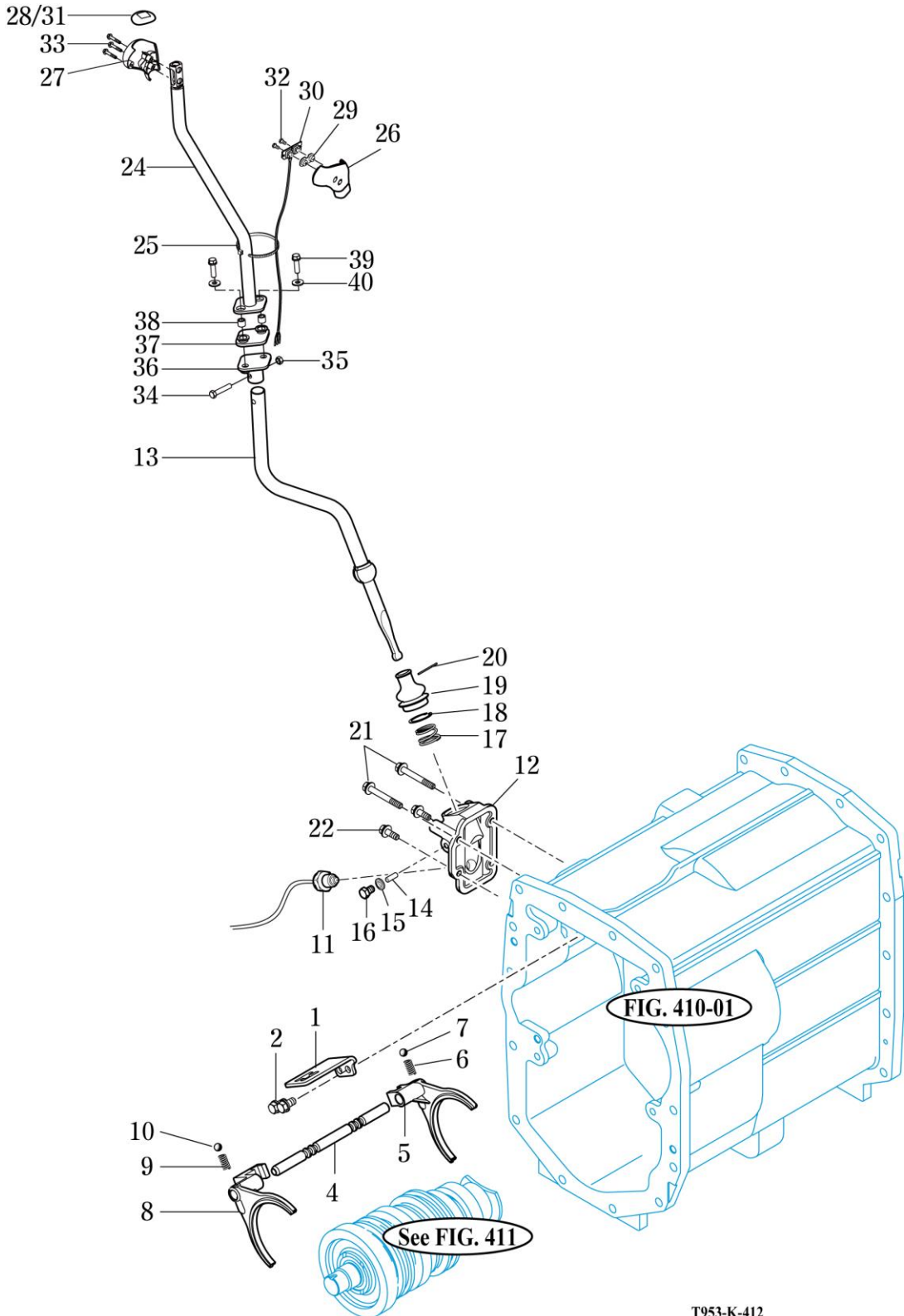
MAIN CHANGE LEVER

T1003/T903/T803

P1

Year / Month

2010 /12



T953-K-412

NOTE

FIG 413

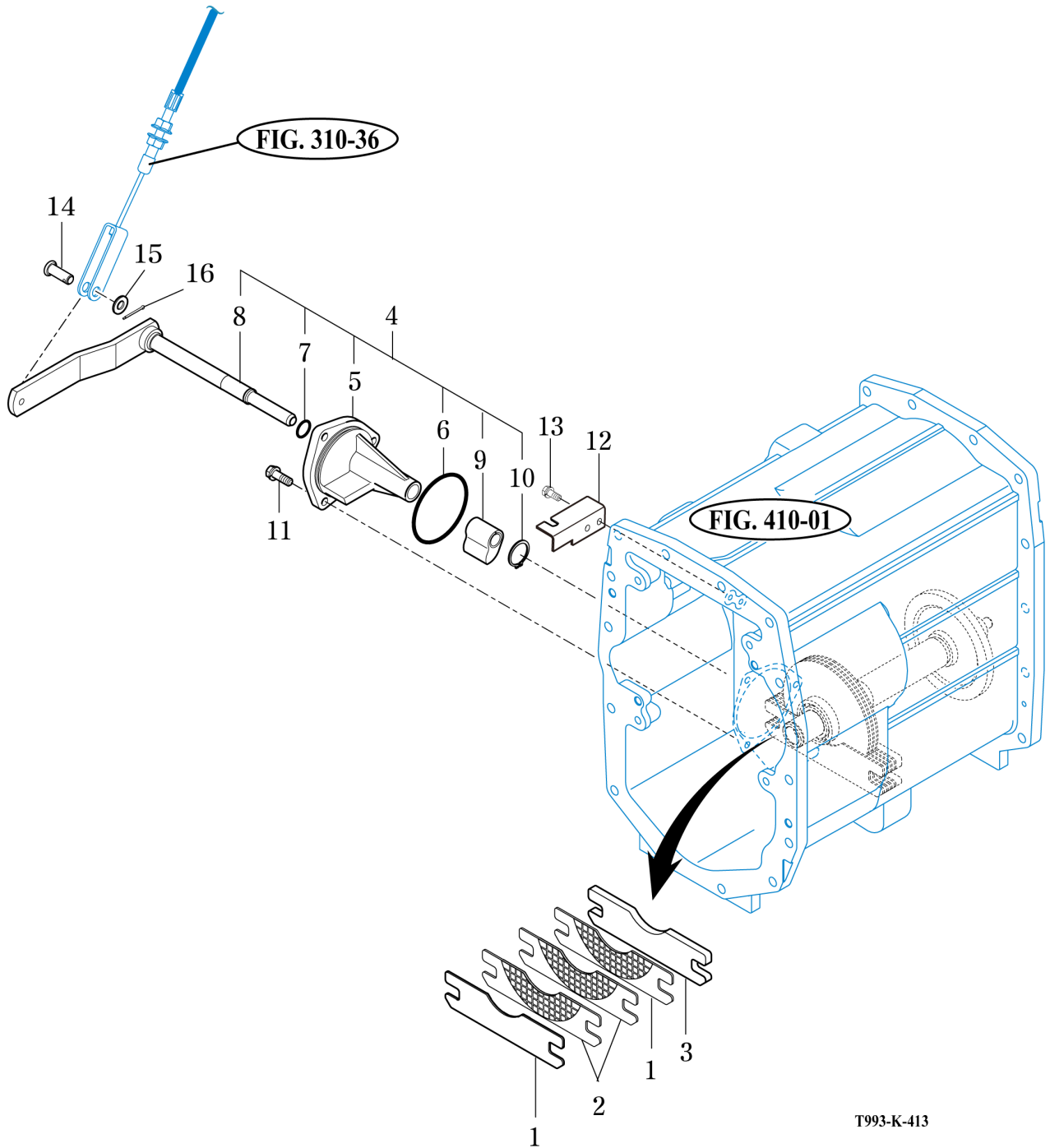
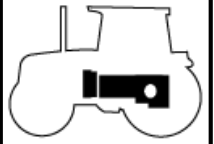
PARKING BRAKE

T1003/T903/T803

P1

Year / Month

2010 /12



T993-K-413

NOTE

FIG 414A

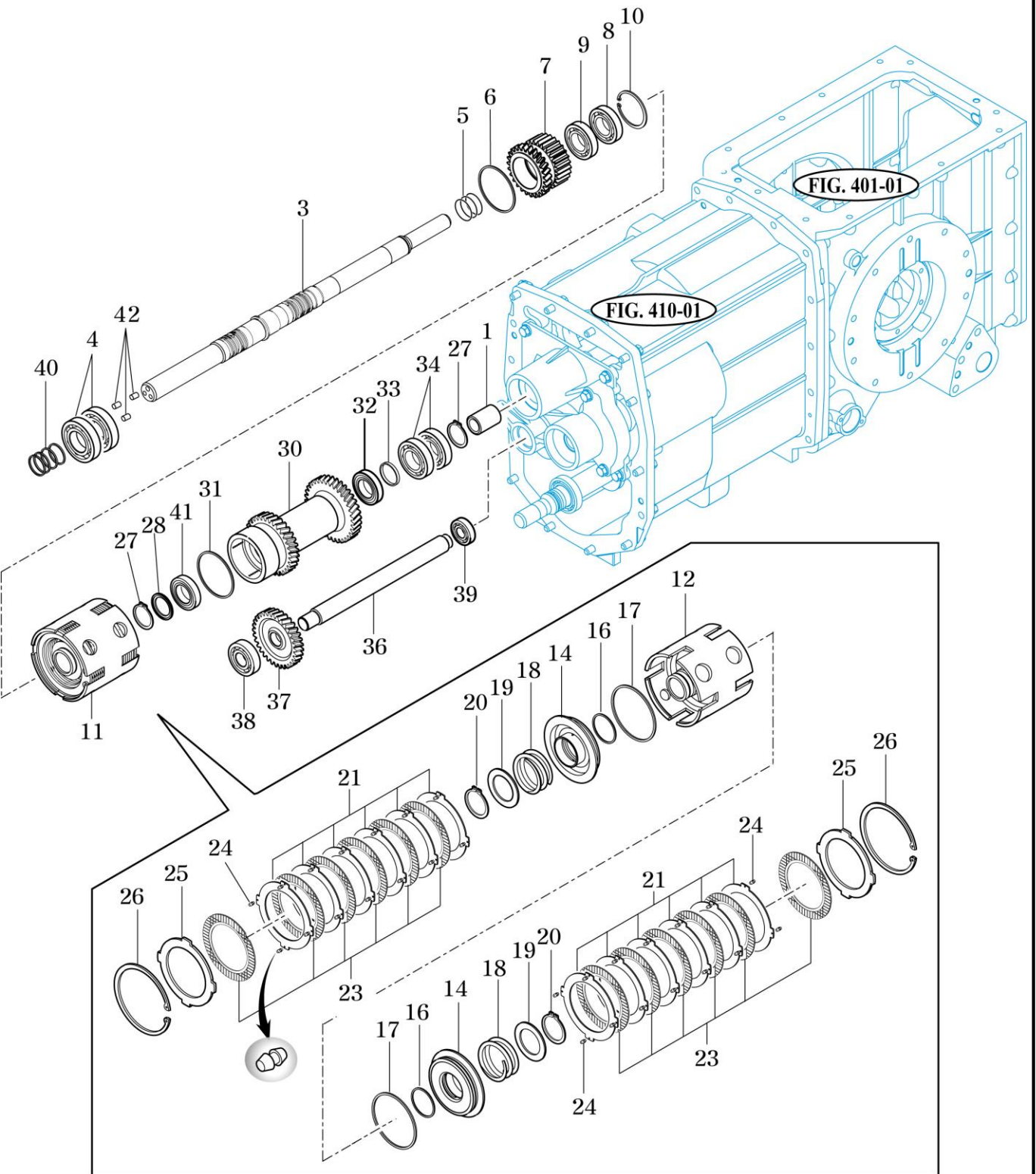
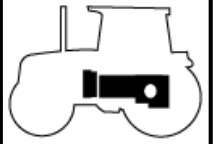
POWER SHUTTLE GEAR T1003/T903

T1003/T903

P1

Year / Month

2010 / 12



T993-K-414A

NOTE

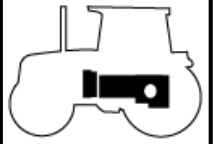
FIG 414B

POWER SHUTTLE GEAR
T803

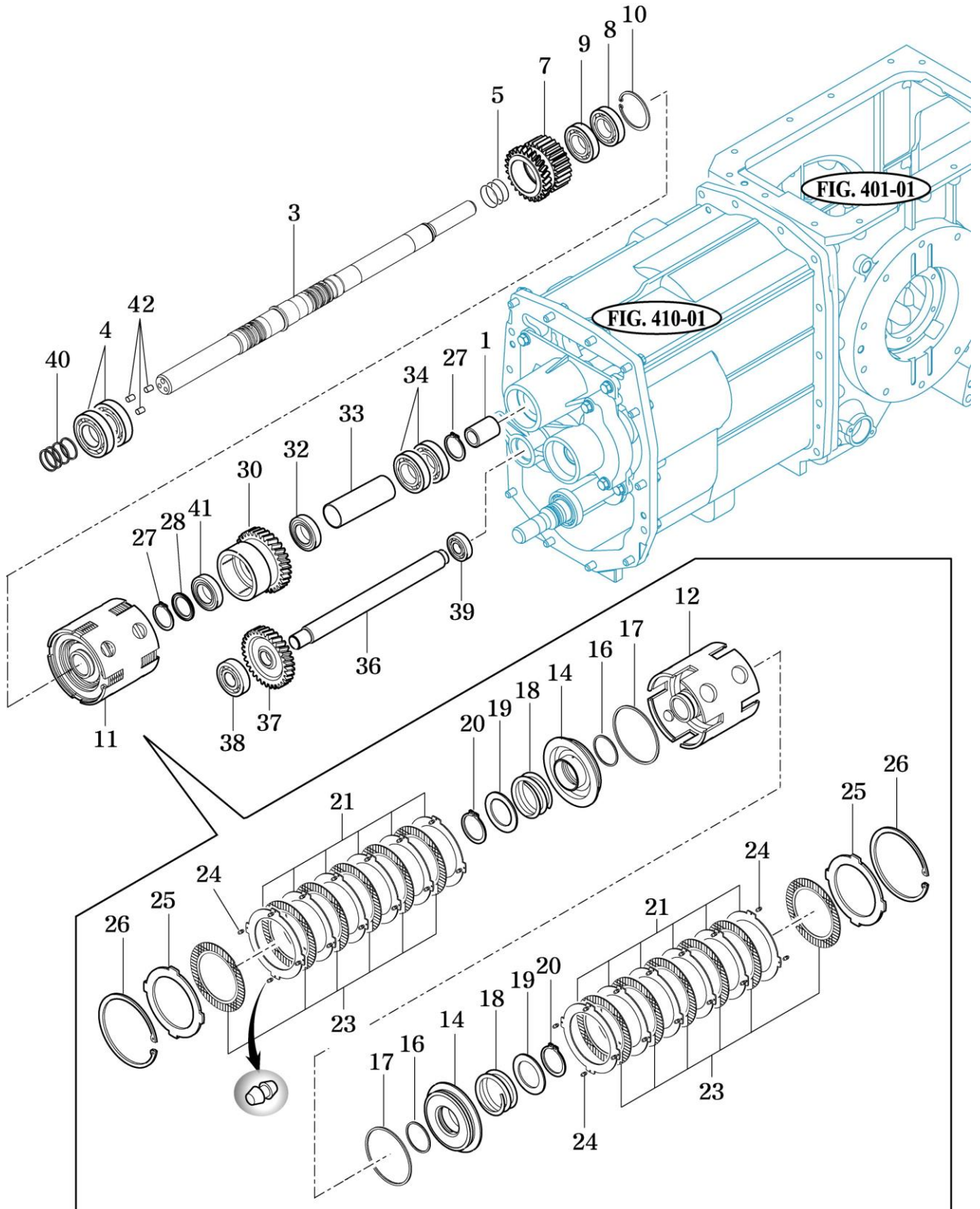
P1

Year / Month

2010 / 12



T803



T993-K-414B

NOTE

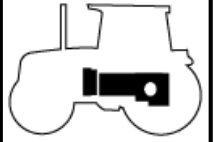
FIG 415A

POWER SHIFT GEAR
T1003/T903

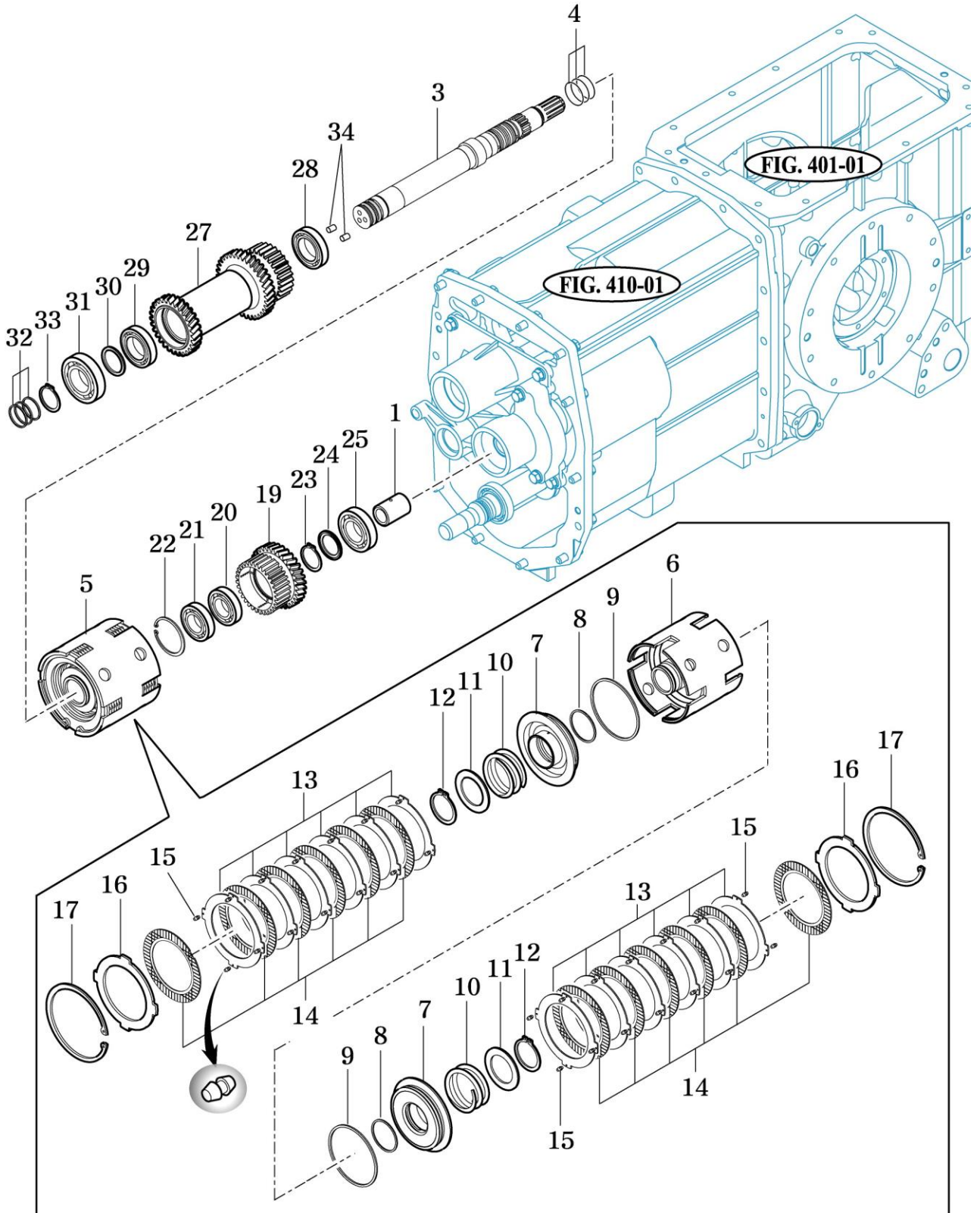
P1

Year / Month

2010 /12



T1003/T903



T993-K-415A

NOTE

FIG 415B

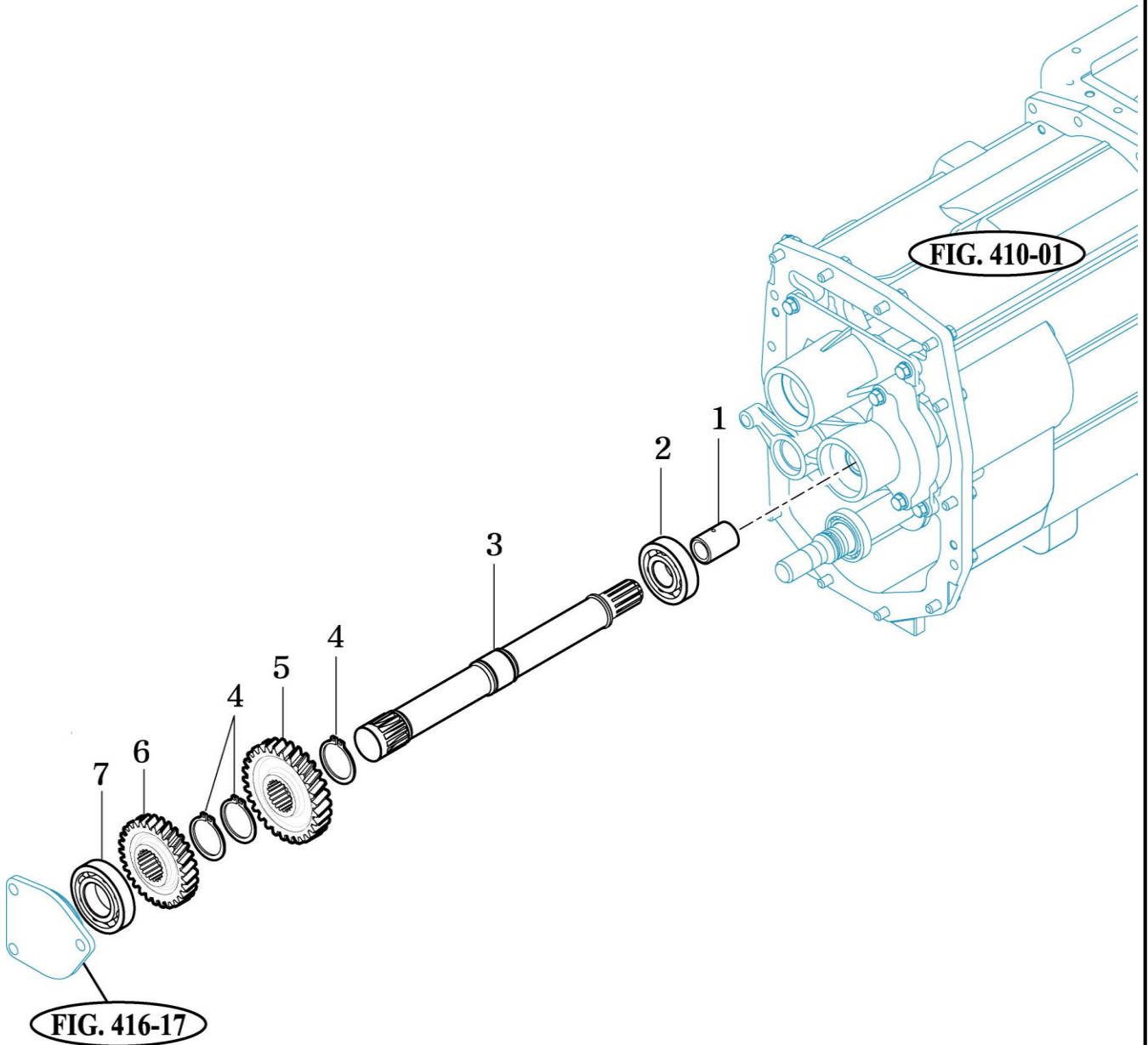
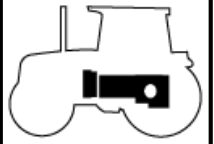
T803

POWER SHUTTLE COUNT GEAR
T803

P1

Year / Month

2010 /12



T993-K-415B

NOTE

FIG 416

CASE, FR TRANSMISSION

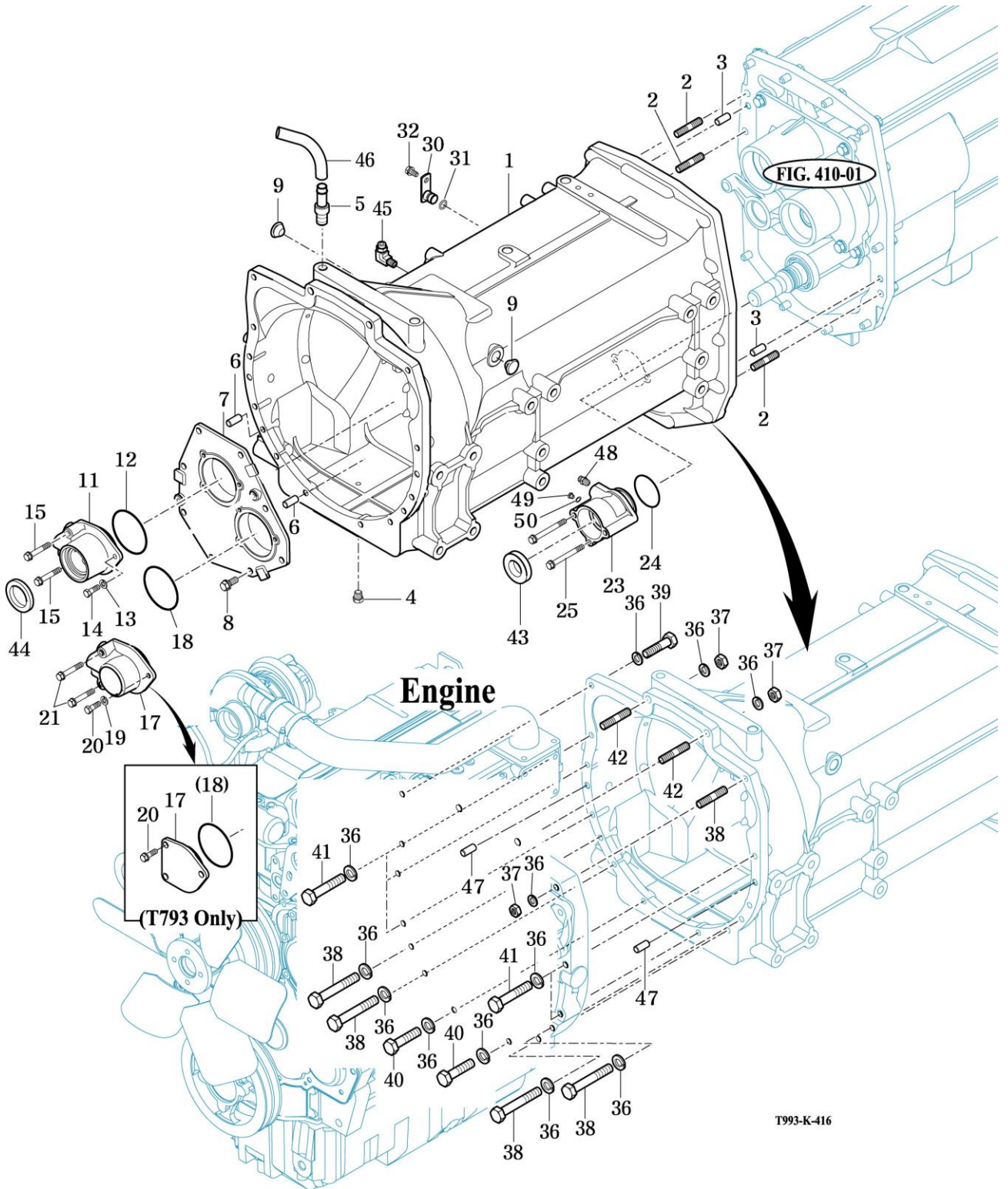
P1

Year / Month

2010 /12



T1003/T903/T803



T993-K-416

NOTE