

FIG 601A

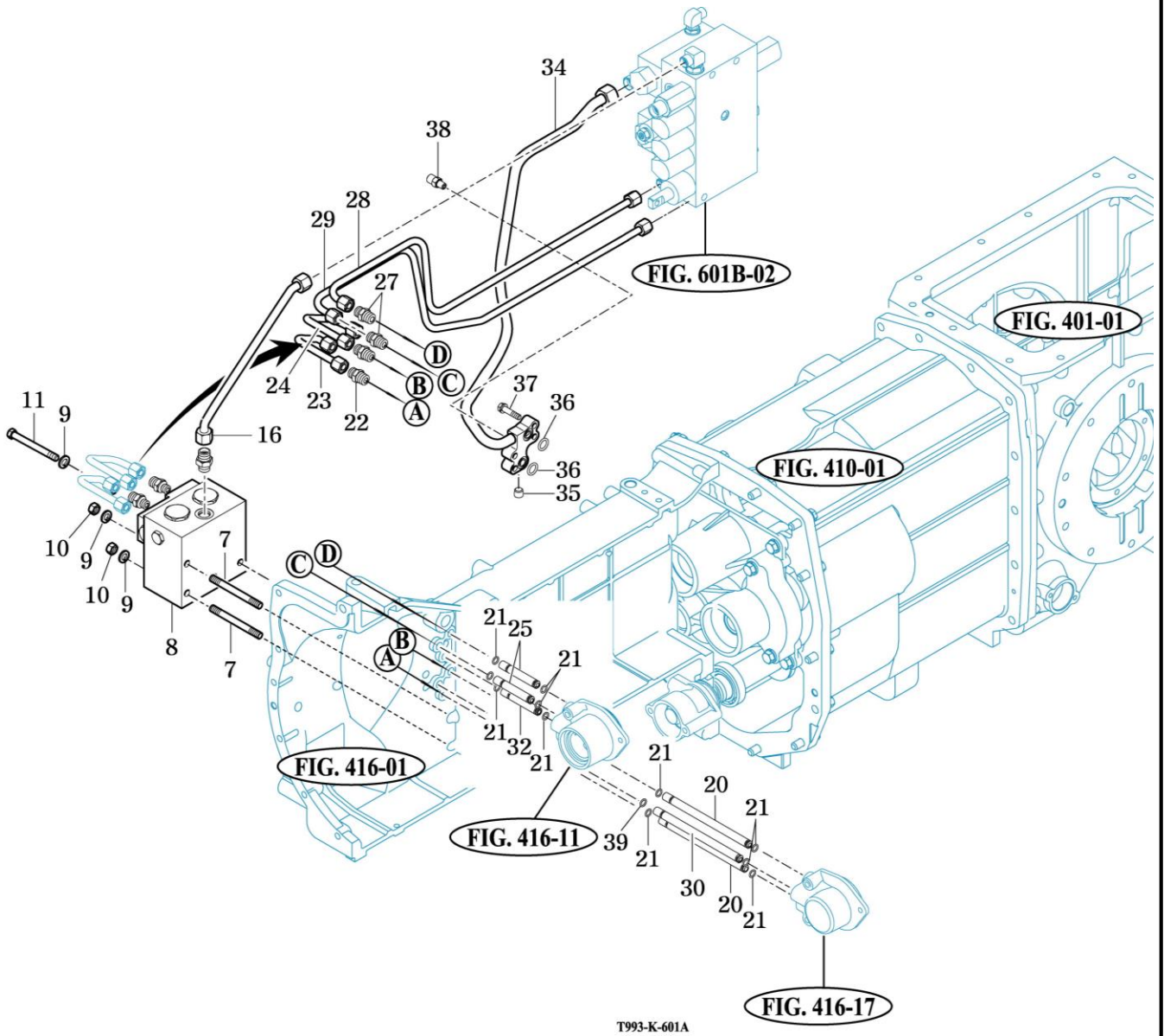
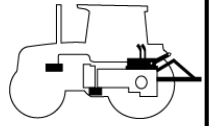
VALVE SUB, SHIFT

T1003/T903/T803

P1

Year / Month

2010/ 12



T993-K-601A

NOTE

FIG 601B

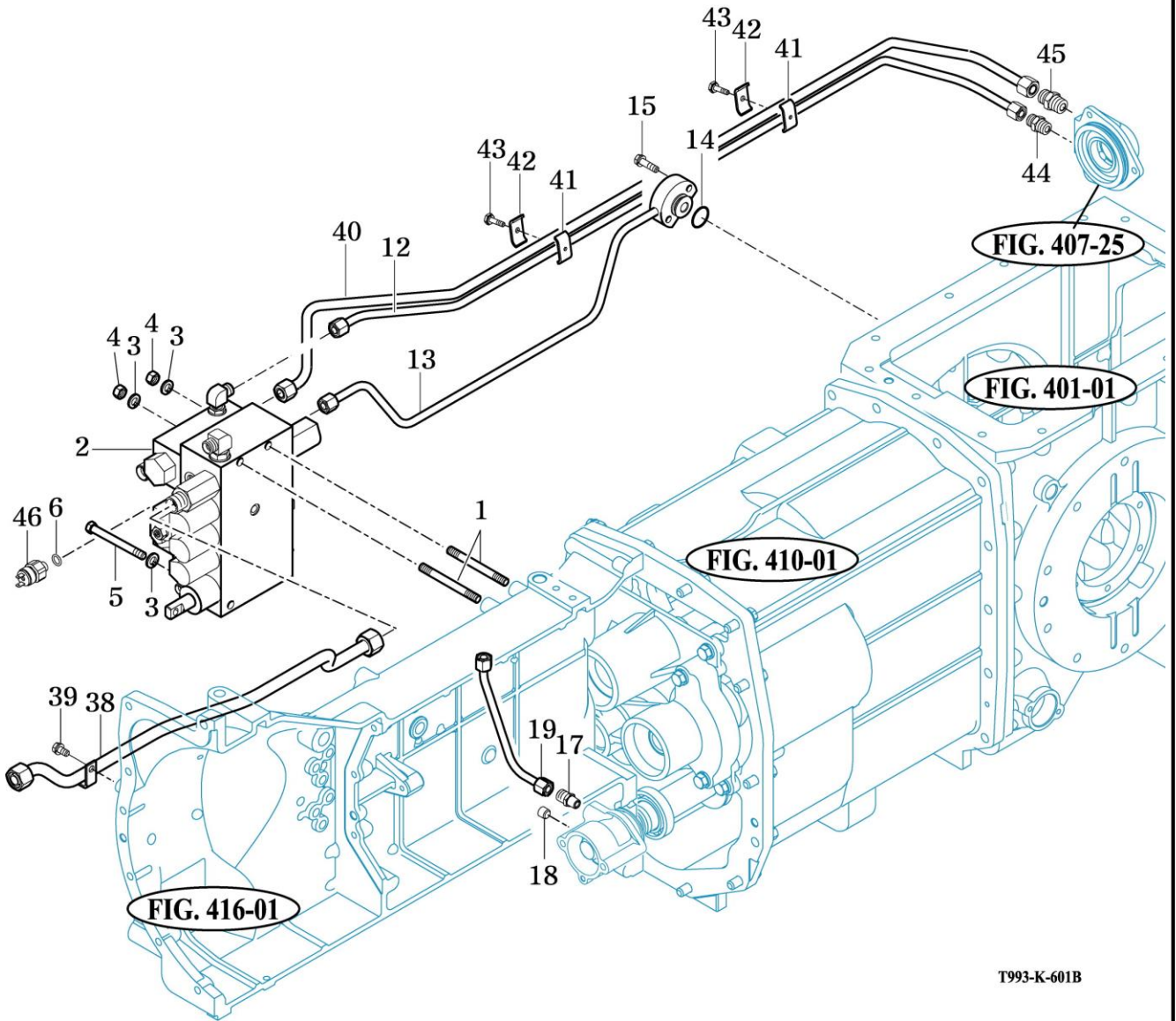
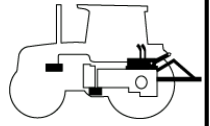
VALVE SUB , MAIN

T1003/T903/T803

P1

Year / Month

2010/ 12



T993-K-601B

NOTE

FIG 601C

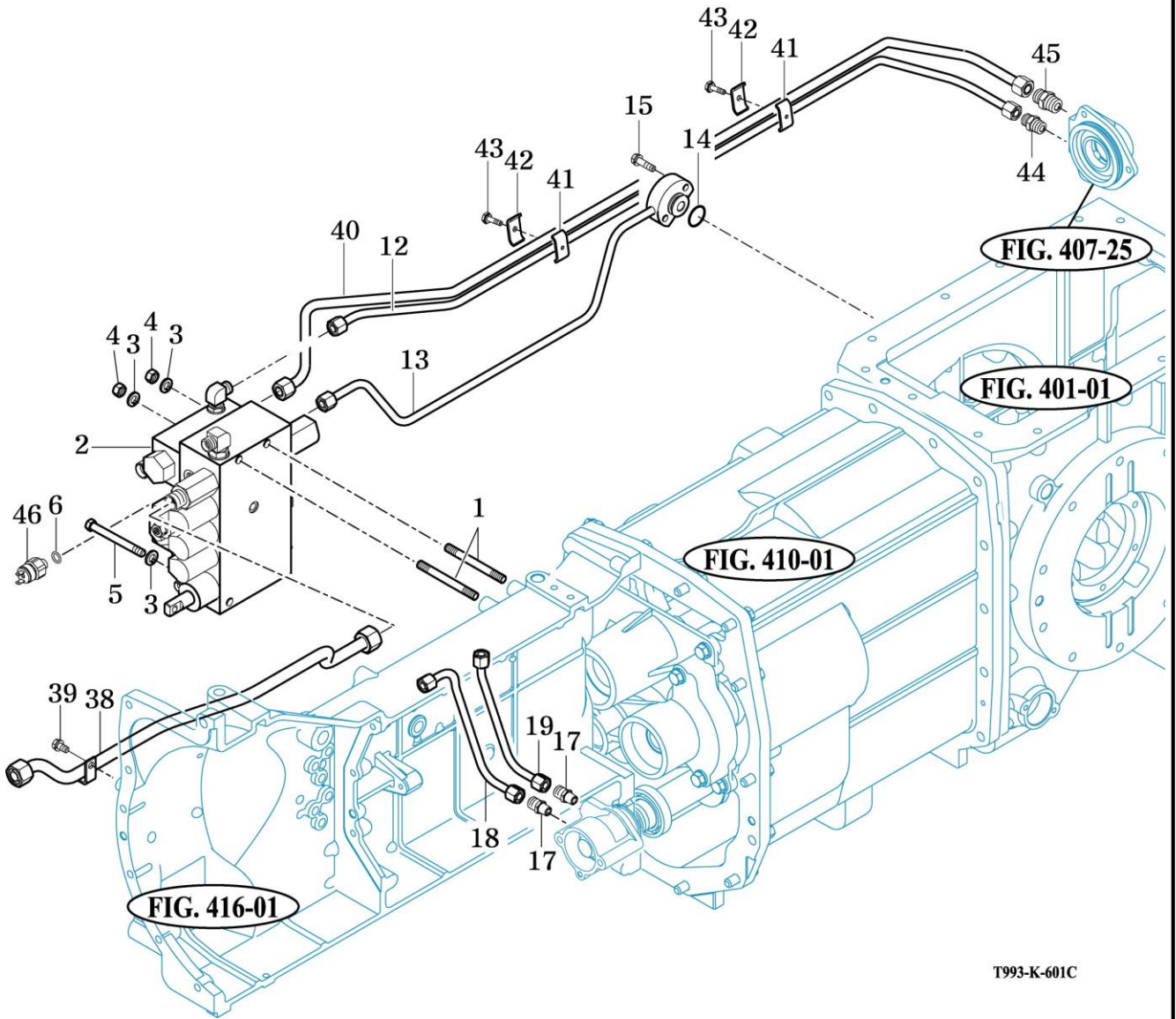
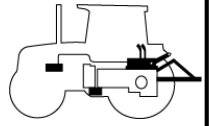
VALVE SUB , MAIN  
( OPTION:AQ )

T1003/T903/T803

P1

Year / Month

2010/ 12



T993-K-601C

NOTE

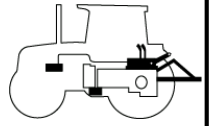
FIG 602

DRAWBAR ASSY

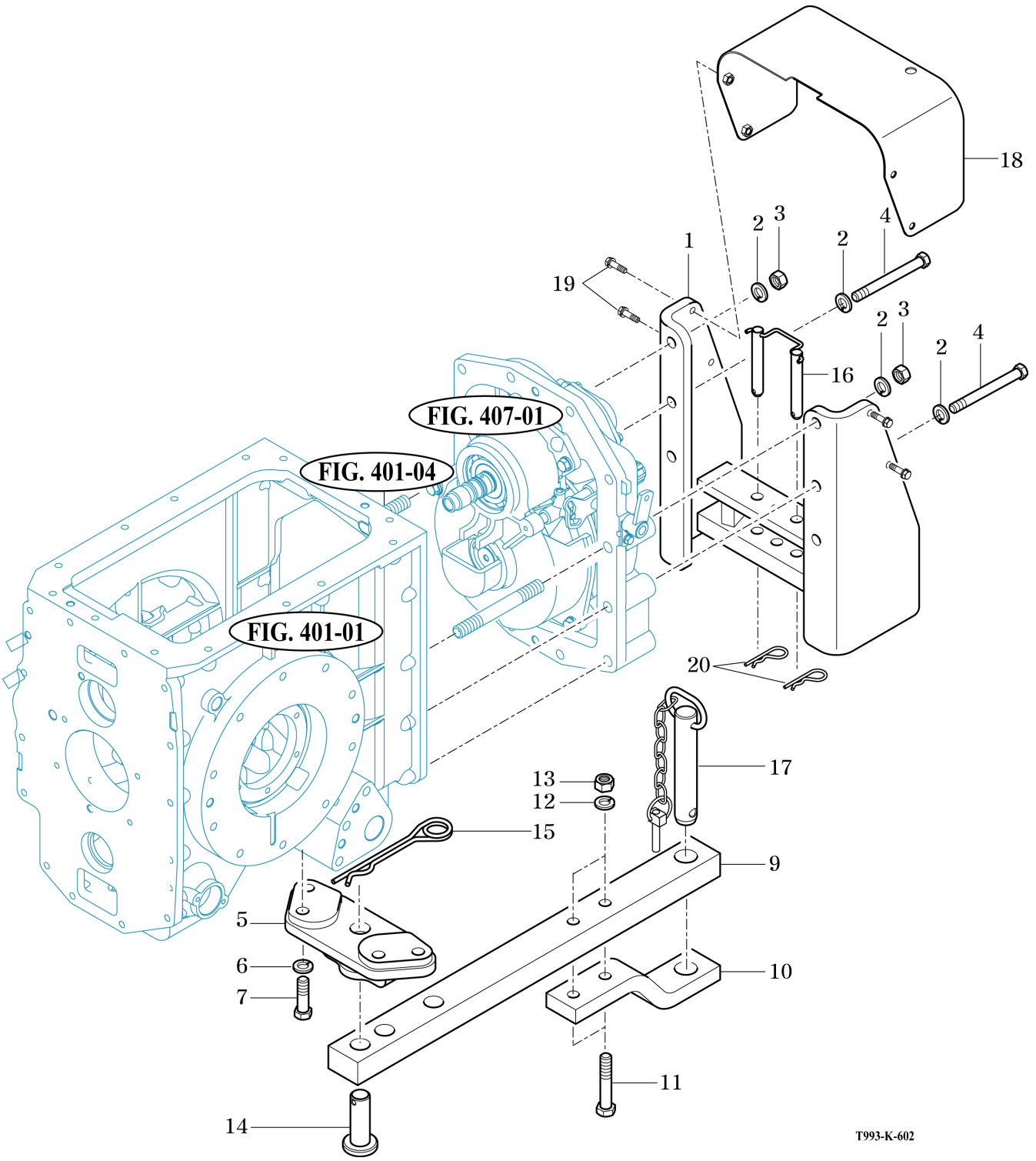
P1

Year / Month

2010/ 12



T1003/T903/T803



T993-K-602

NOTE



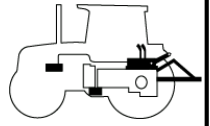
FIG 603A

FILTER SUB, SUCTION

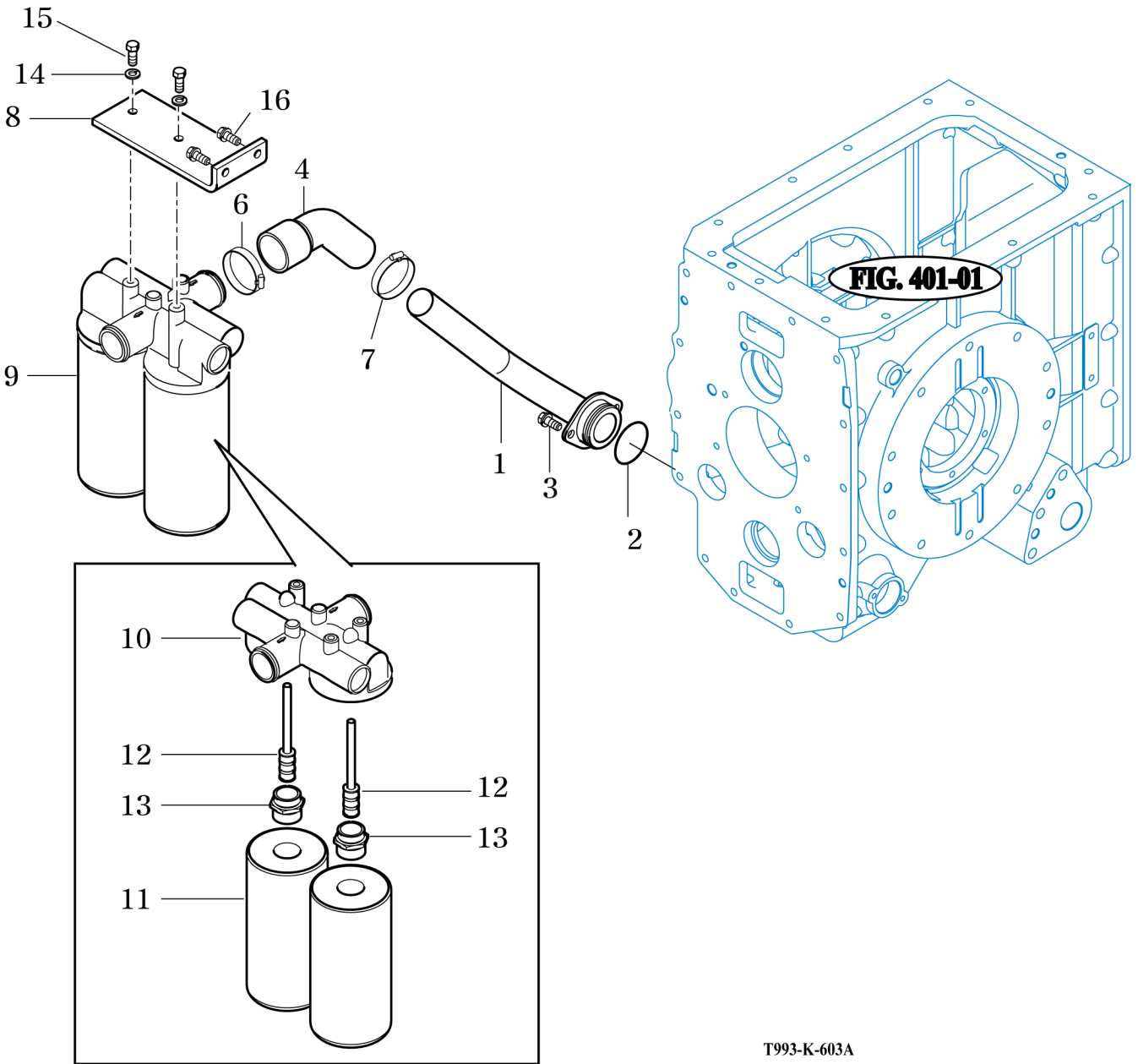
P1

Year / Month

2010/ 12



T1003/T903/T803



T993-K-603A

NOTE

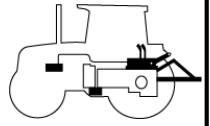
FIG 603B

GEAR PUMP ASSY

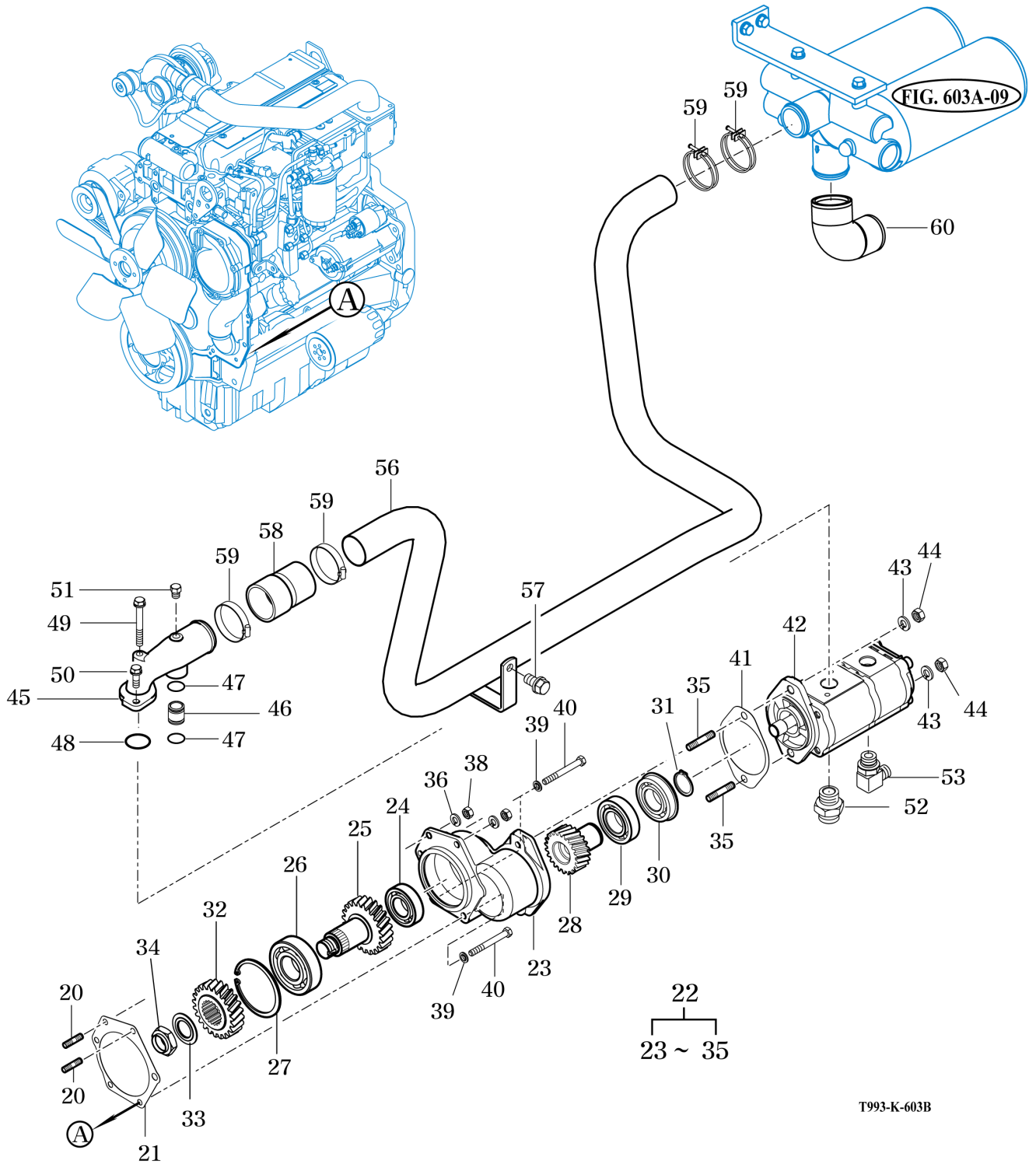
P1

Year / Month

2010/ 12

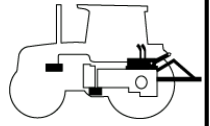


T1003/T903/T803

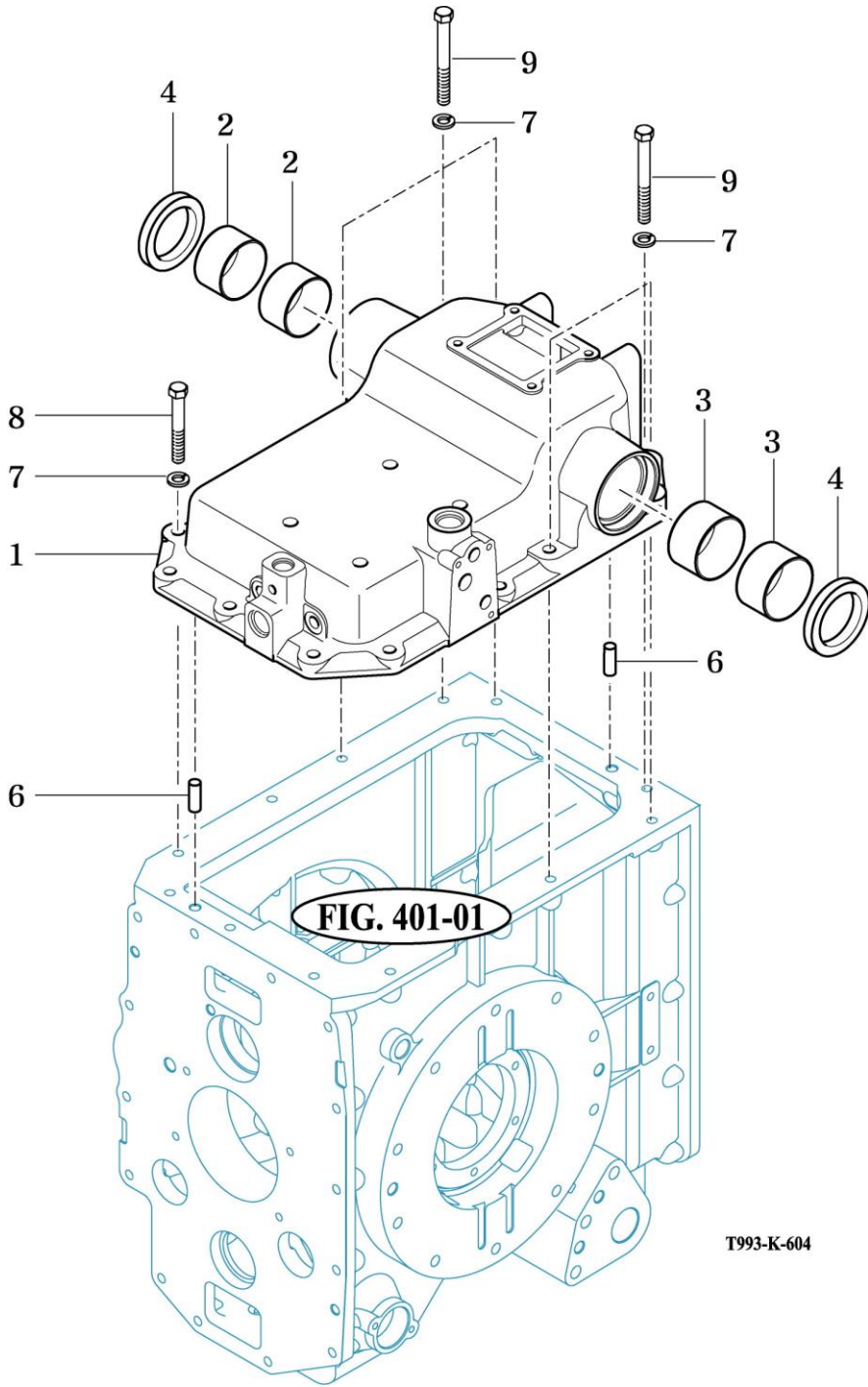


T993-K-603B

NOTE



T1003/T903/T803



T993-K-604

NOTE

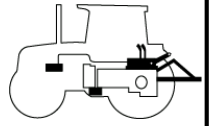
FIG 605

ARM SUB, LIFT

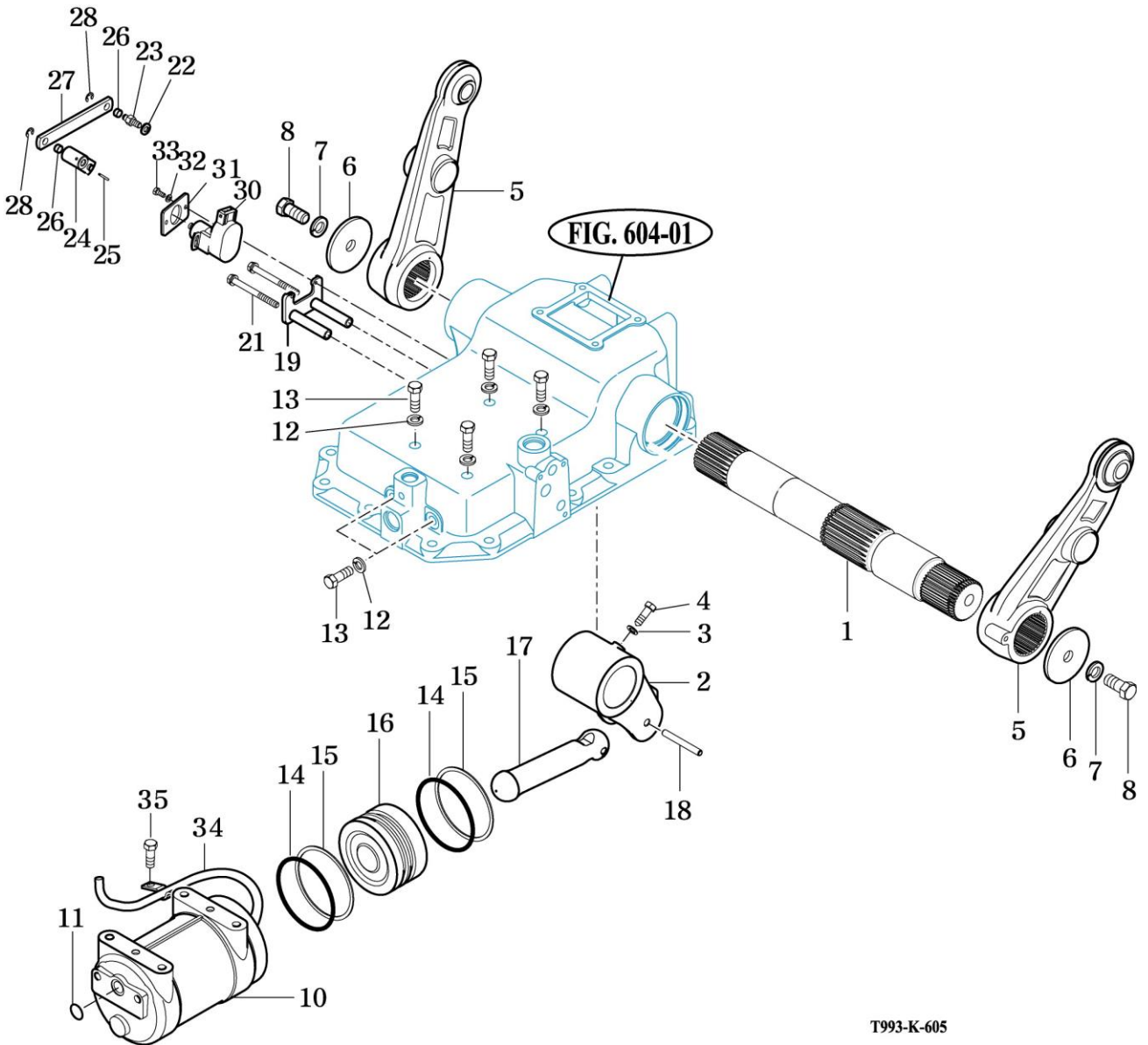
P1

Year / Month

2010/ 12



T1003/T903/T803



NOTE



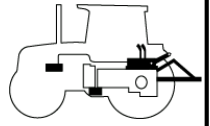
FIG 606

MAIN CONTROL VALVE SUB

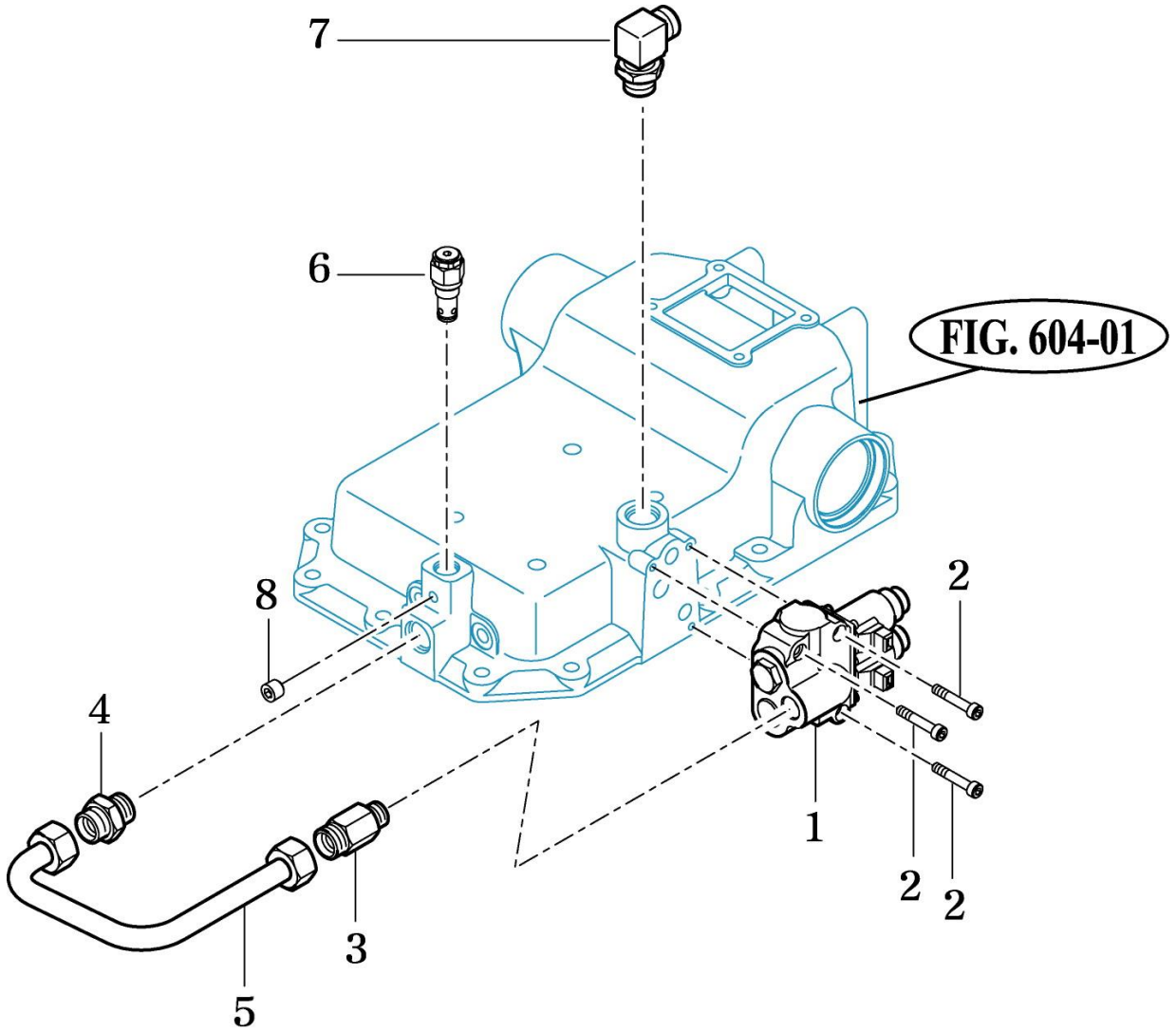
P1

Year / Month

2010/ 12



T1003/T903/T803



T993-K-606

NOTE

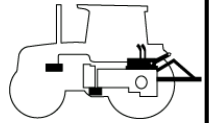
FIG 607A

AUX VALVE & FILTER SUB

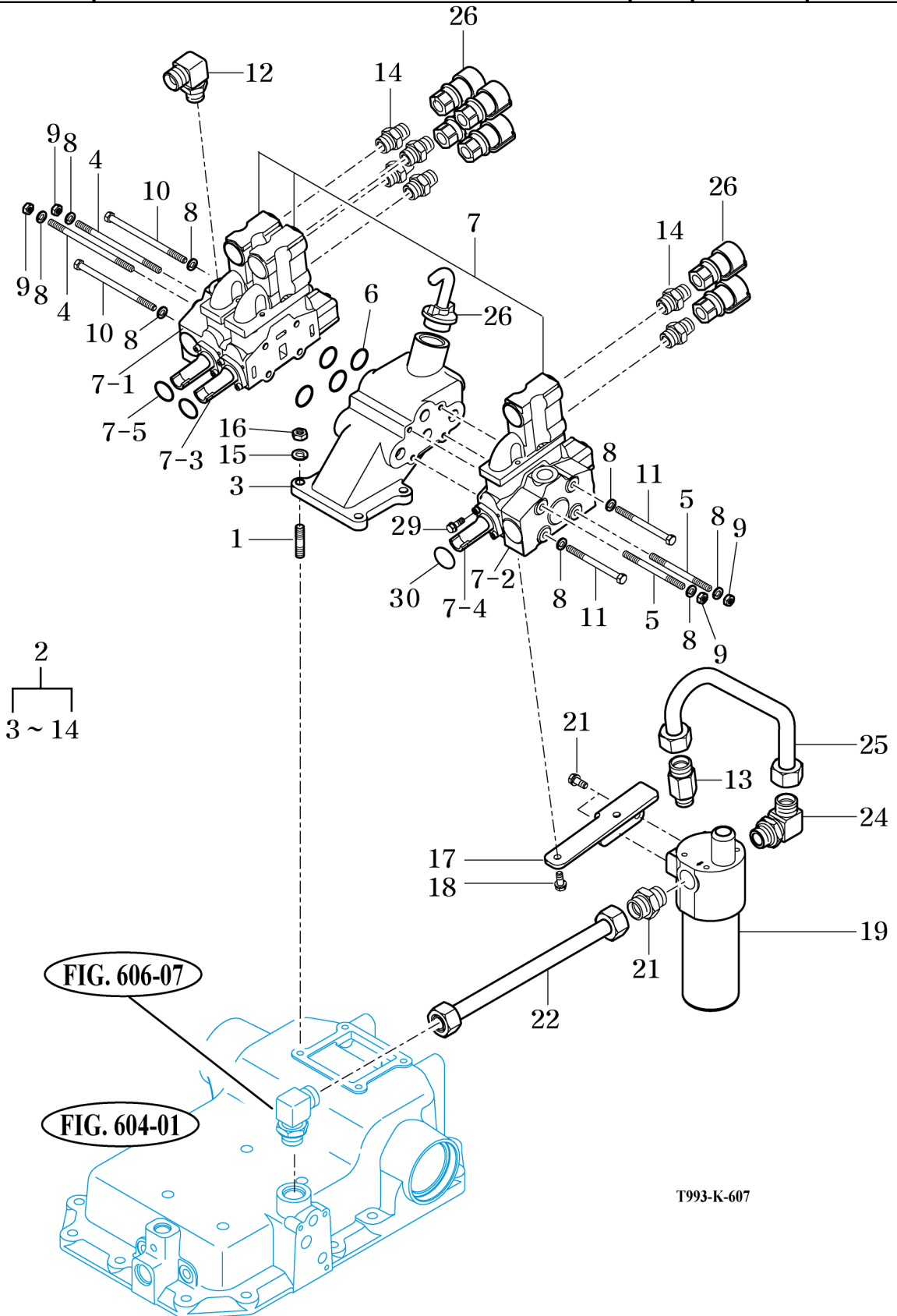
P1

Year / Month

2010/ 12



T1003/T903/T803



NOTE

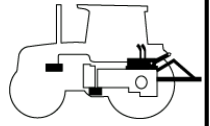
FIG 607B

LEVER SUB, AUX

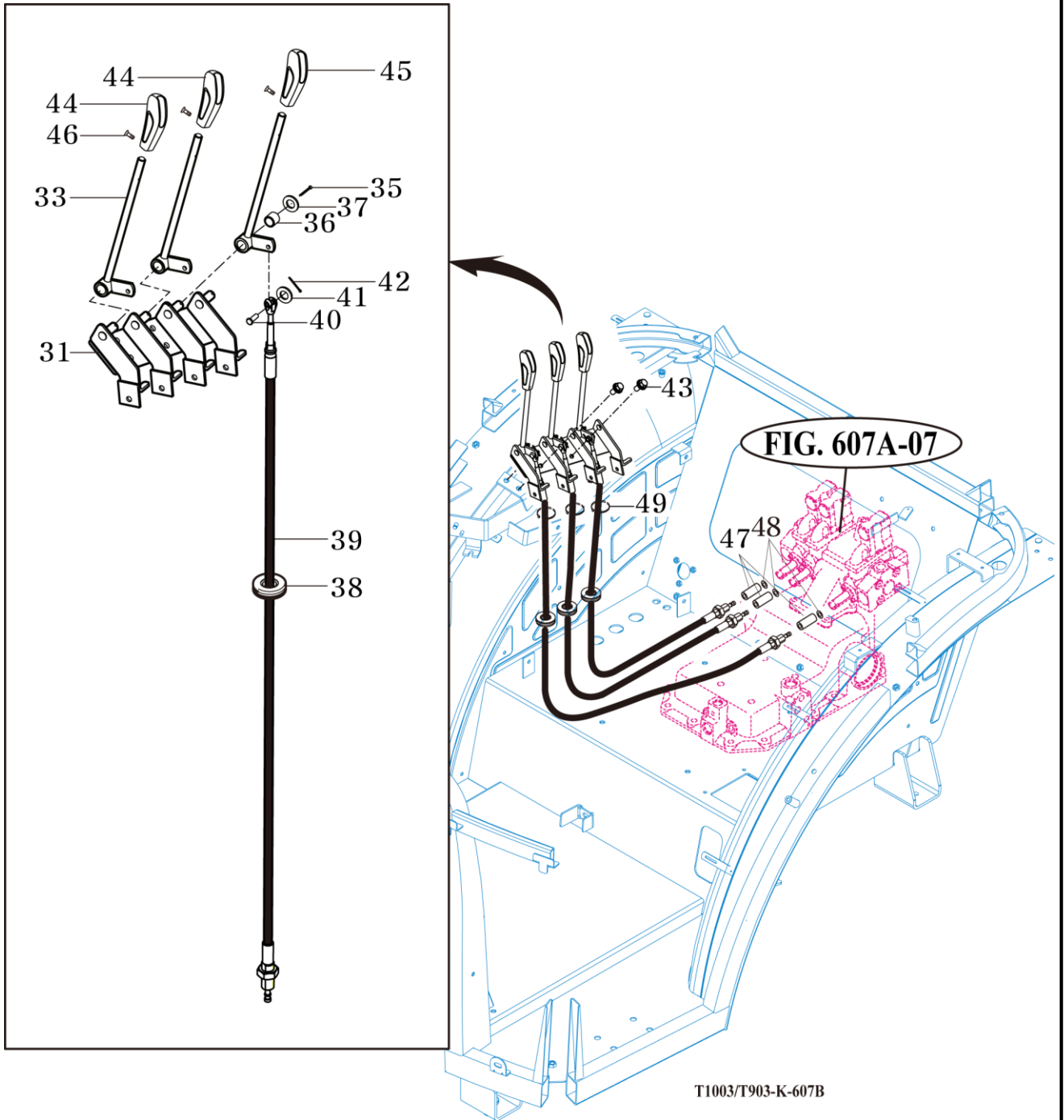
P1

Year / Month

2010/ 12



T1003/T903/T803



T1003/T903-K-607B

NOTE

FIG 608A

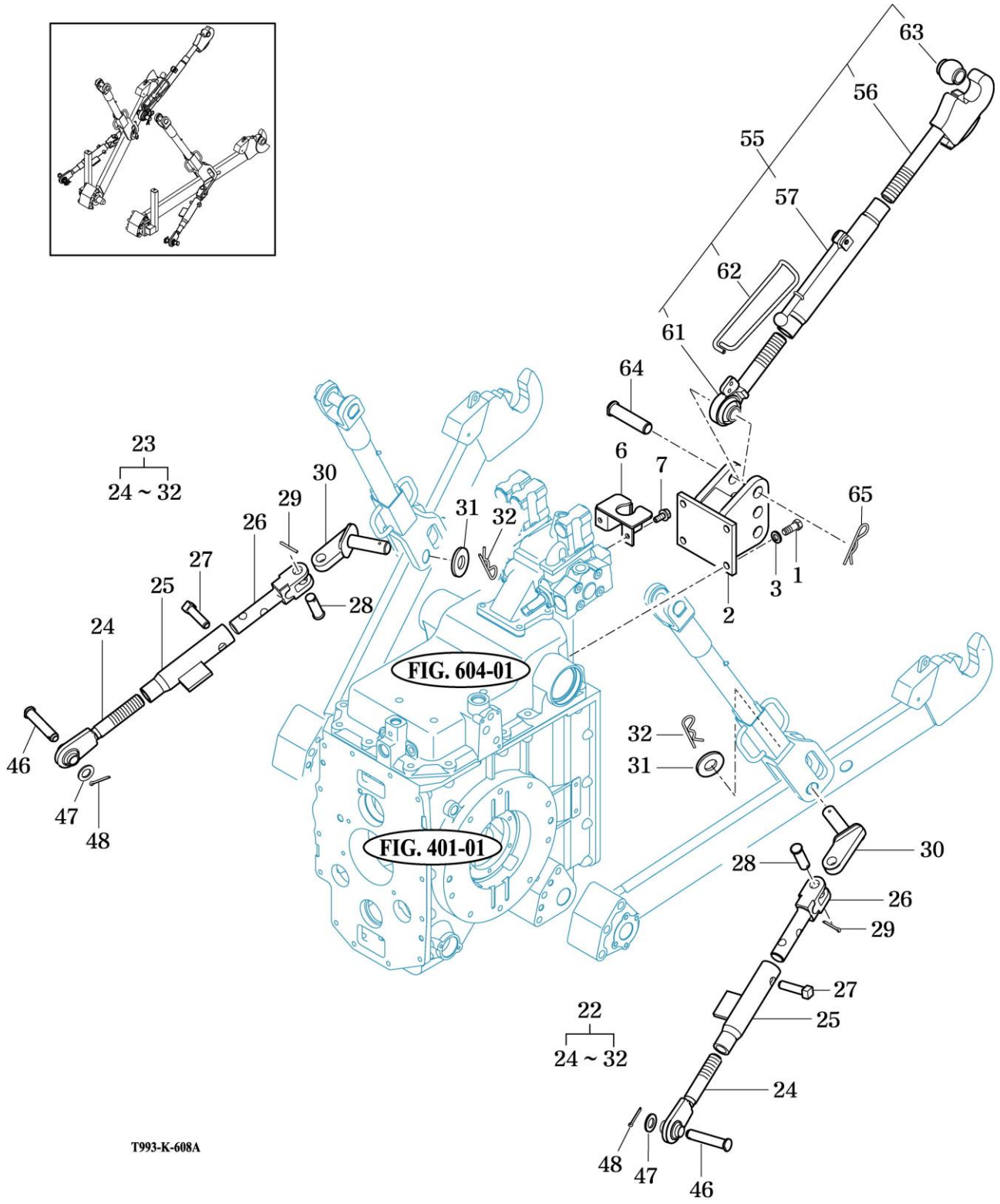
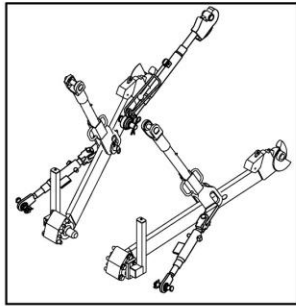
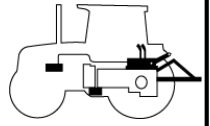
HITCH & 3-POINT LINK

T1003/T903/T803

P1

Year / Month

2010/12



T993-K-608A

NOTE

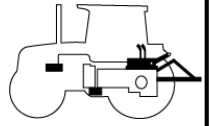
FIG 608B

LOWER LINK & LIFT ROD

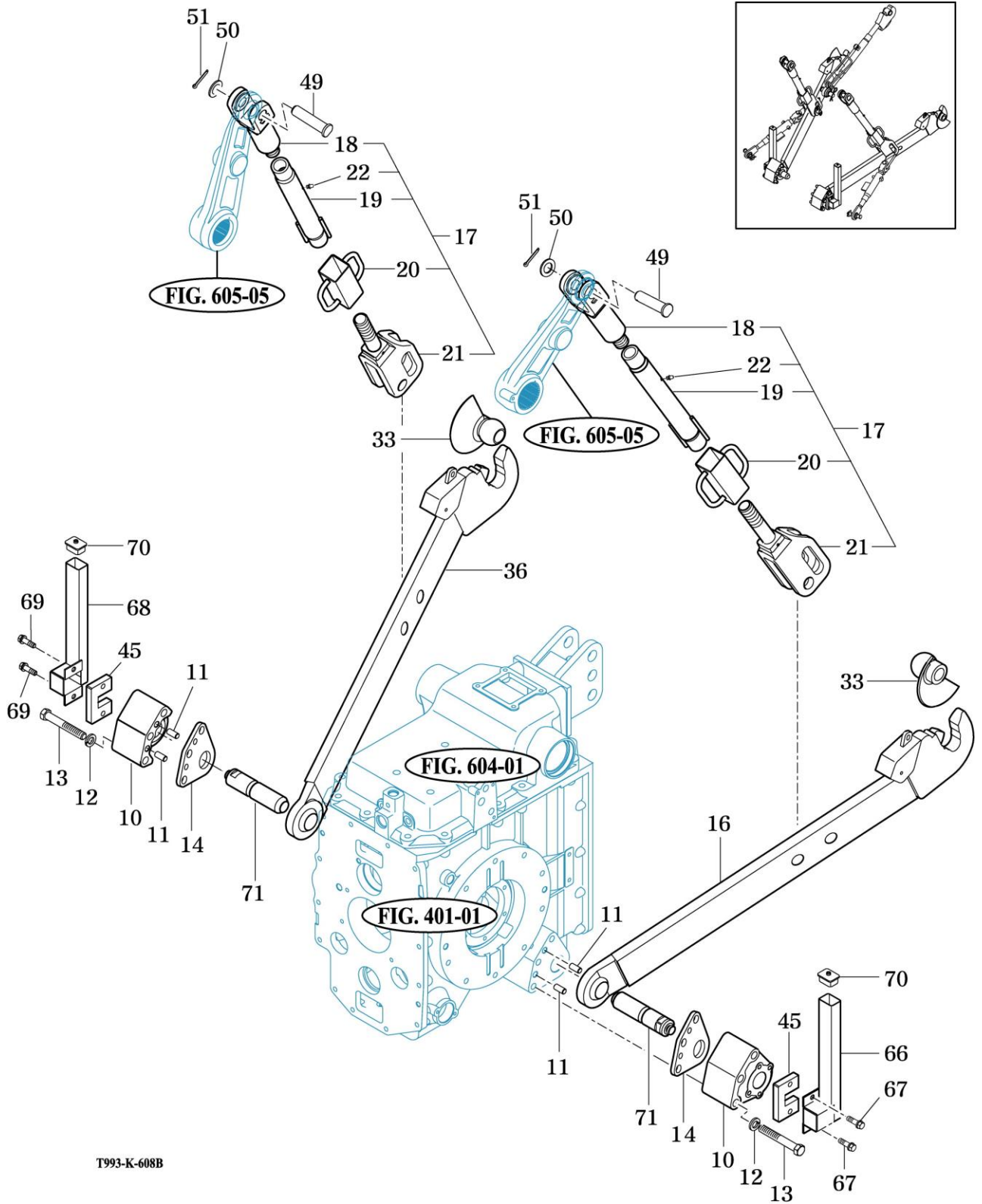
P1

Year / Month

2010/12



T1003/T903/T803



T993-K-608B

NOTE



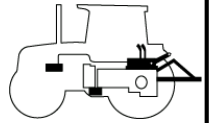
FIG 609

HYDRAULIC PIPE & HOSES

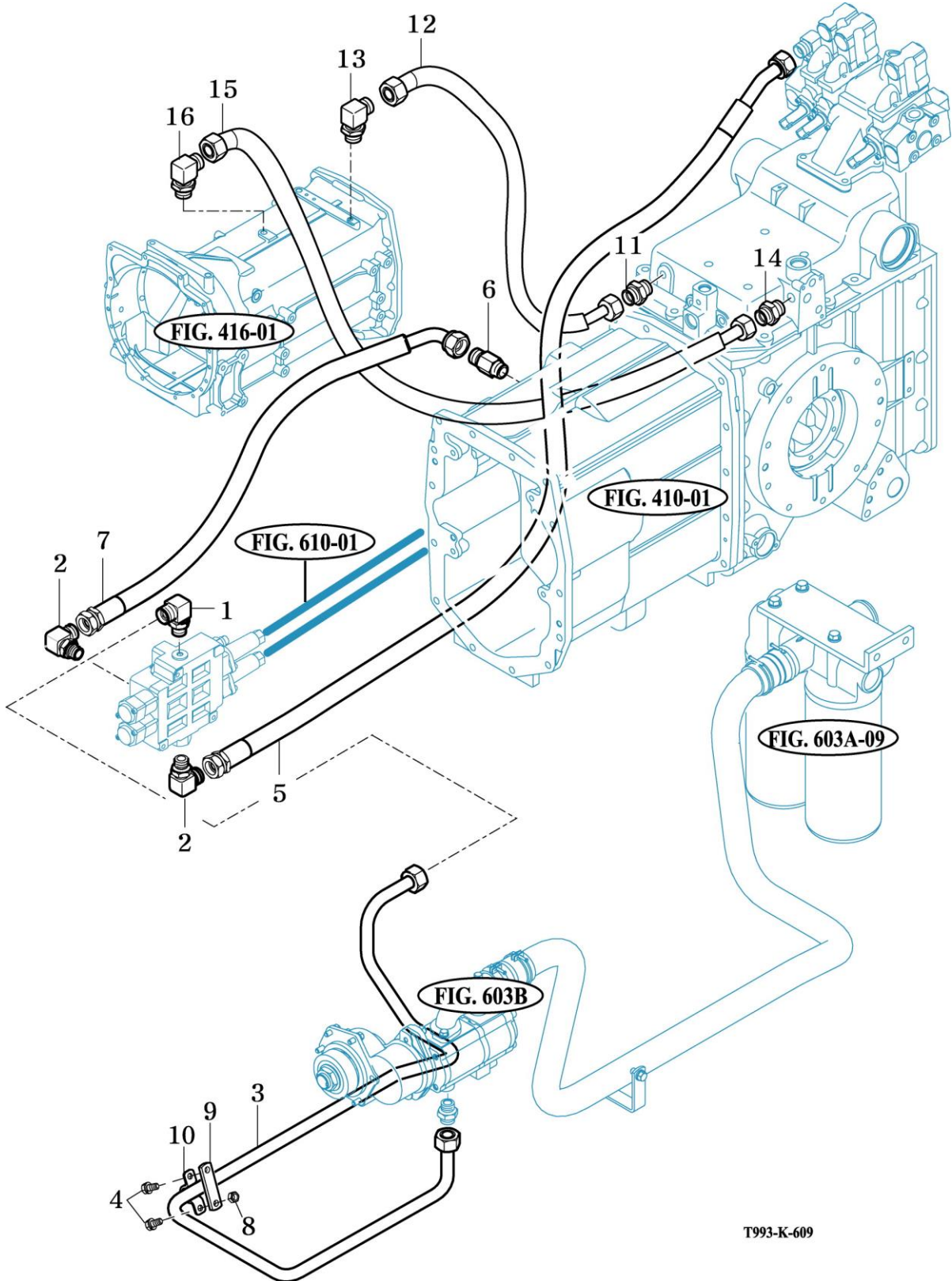
P1

Year / Month

2010/ 12



T1003/T903/T803



T993-K-609

NOTE

FIG 610

JOYSTICK

T1003/T903/T803

P1

Year / Month

2010/ 12

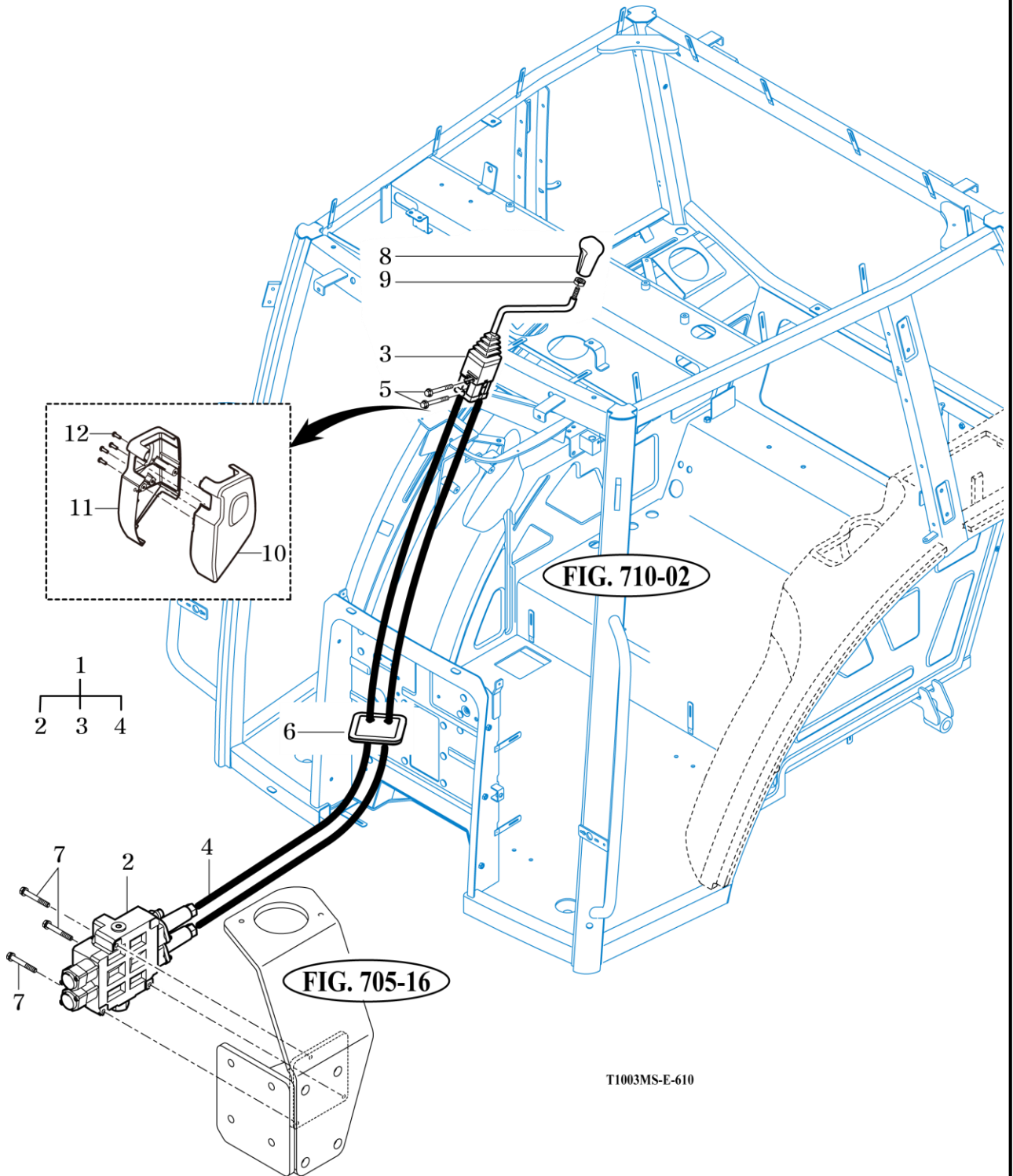
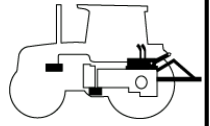


FIG. 710-02

FIG. 705-16

T1003MS-E-610

NOTE

FIG 611A

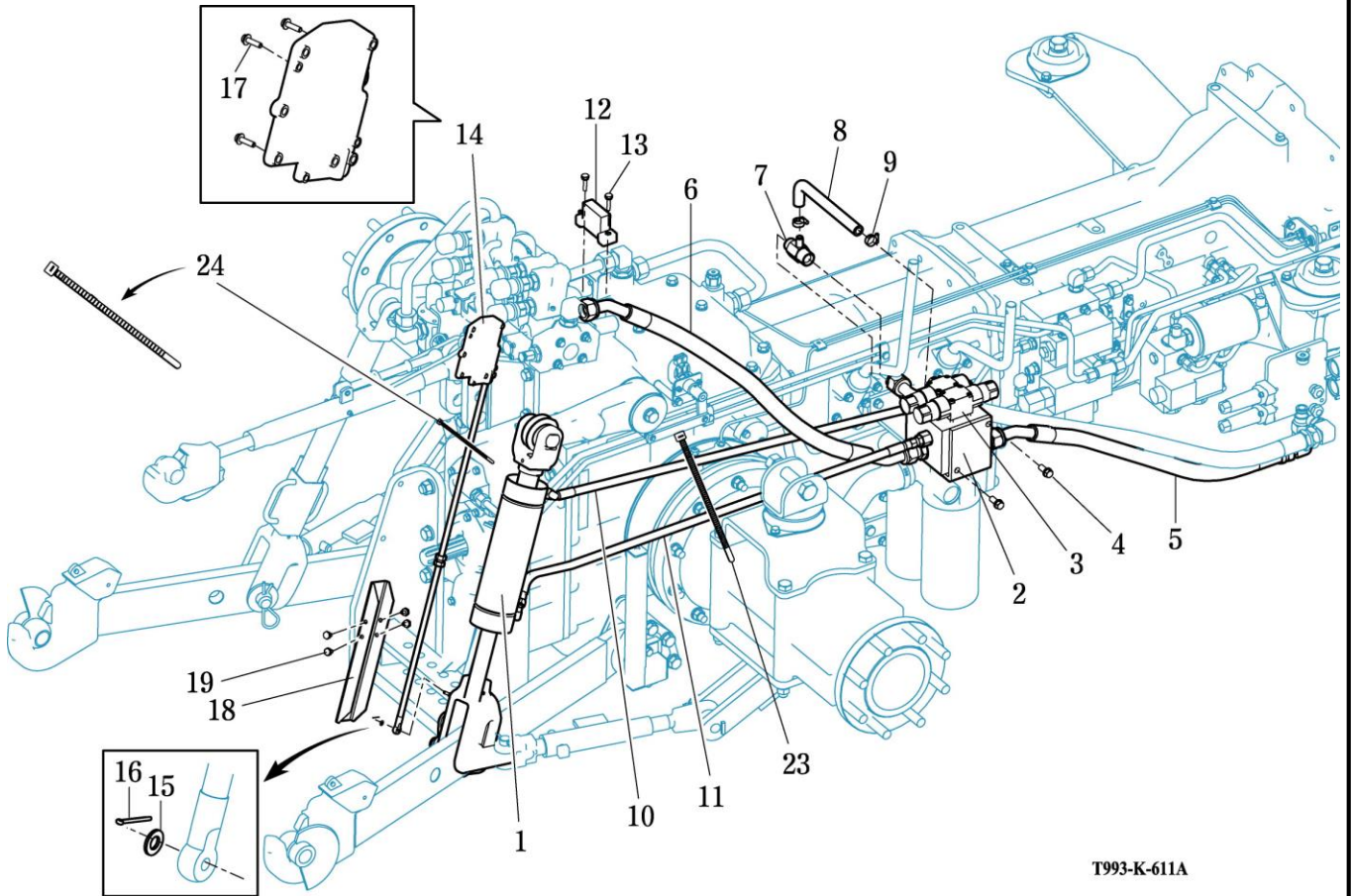
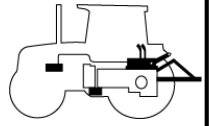
# LEVEL CONTROL SYSTEM (OPTION : AQ)

T1003/T903/T803

P1

Year / Month

2010/ 12



T993-K-611A

NOTE

FIG 611B

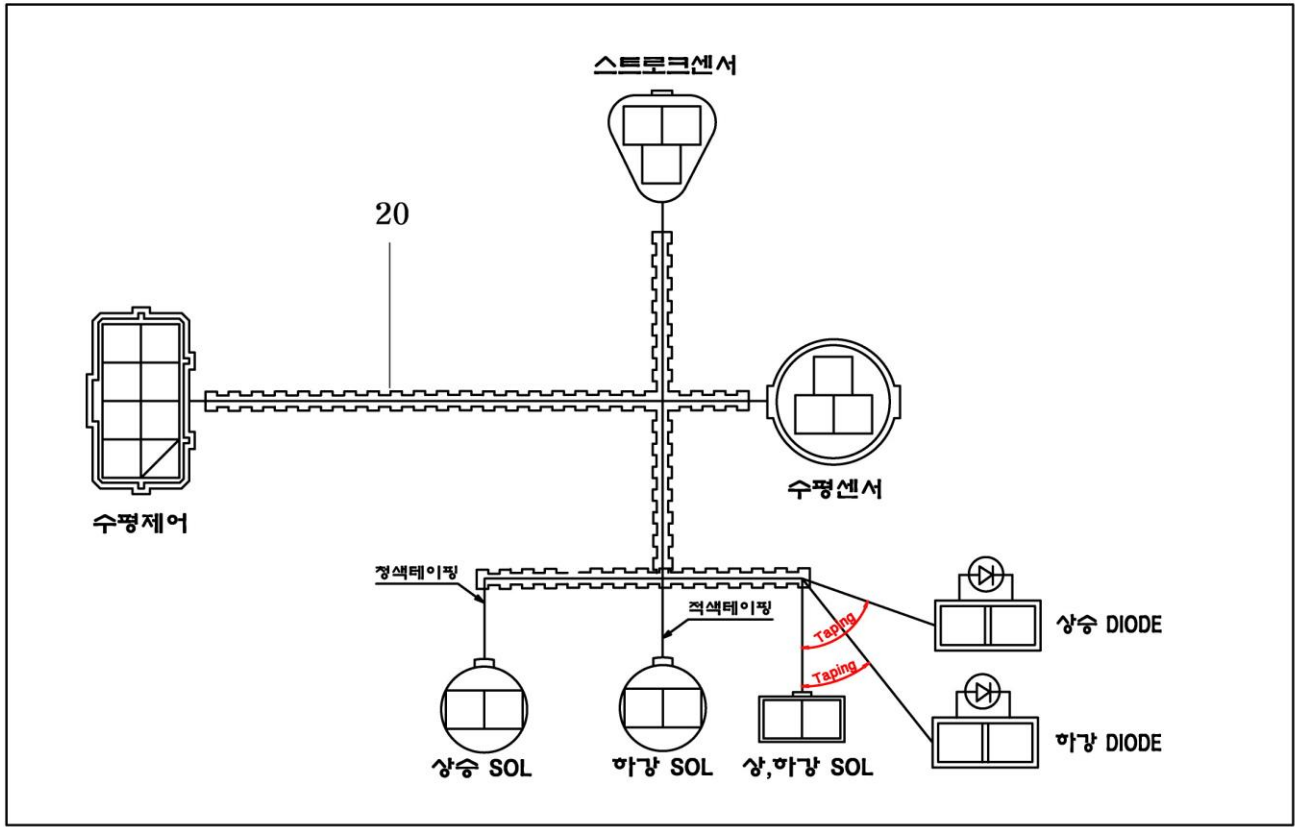
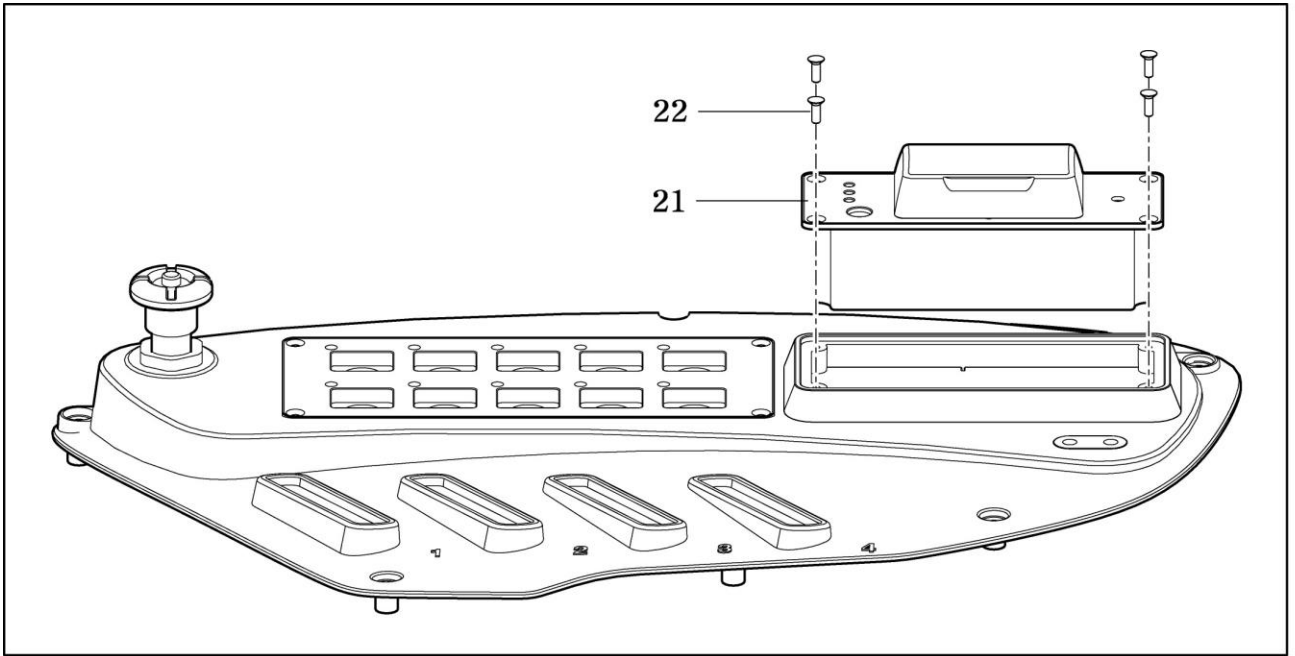
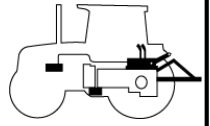
# LEVEL CONTROL SYSTEM (OPTION : AQ)

T1003/T903/T803

P1

Year / Month

2010/ 12



T993-K-611B

NOTE