

FIG. 701-01
See Page 220

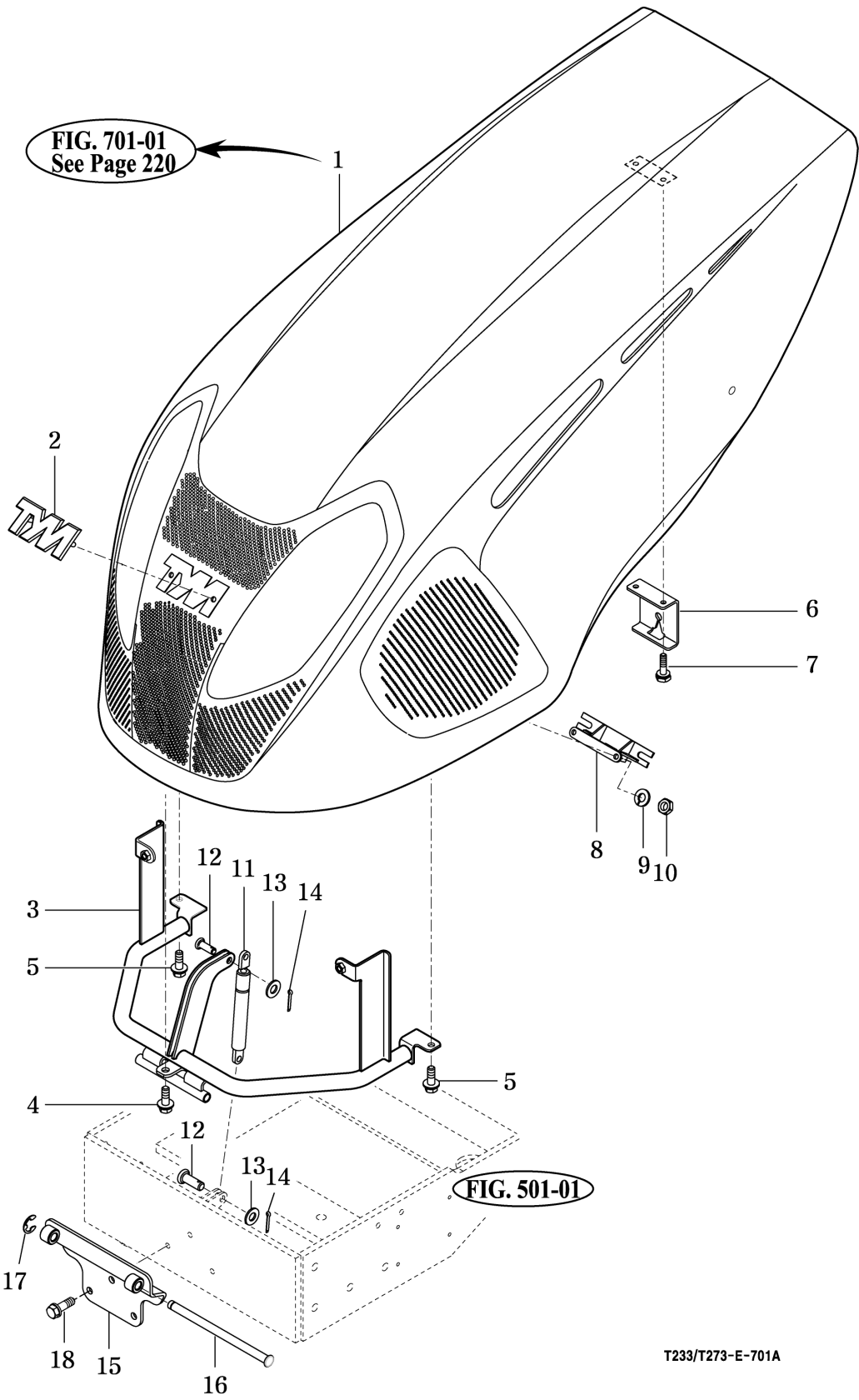


FIG. 501-01

T233/T273-E-701A

NOTE

FIG 701

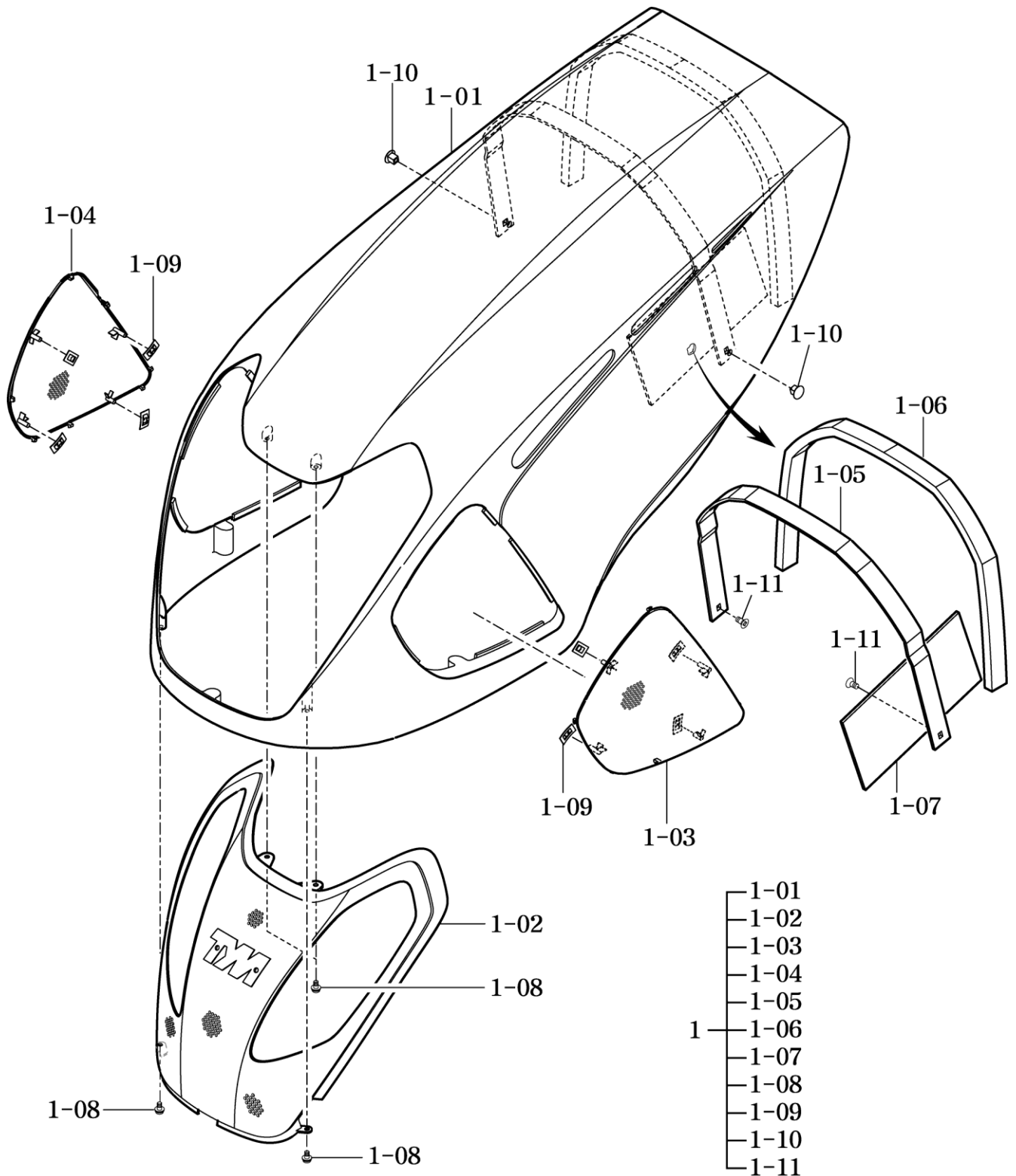
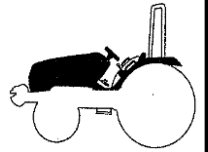
T233 / T273

BONNET

P2

Year / Month

2007 / 11



NOTE

FIG 702

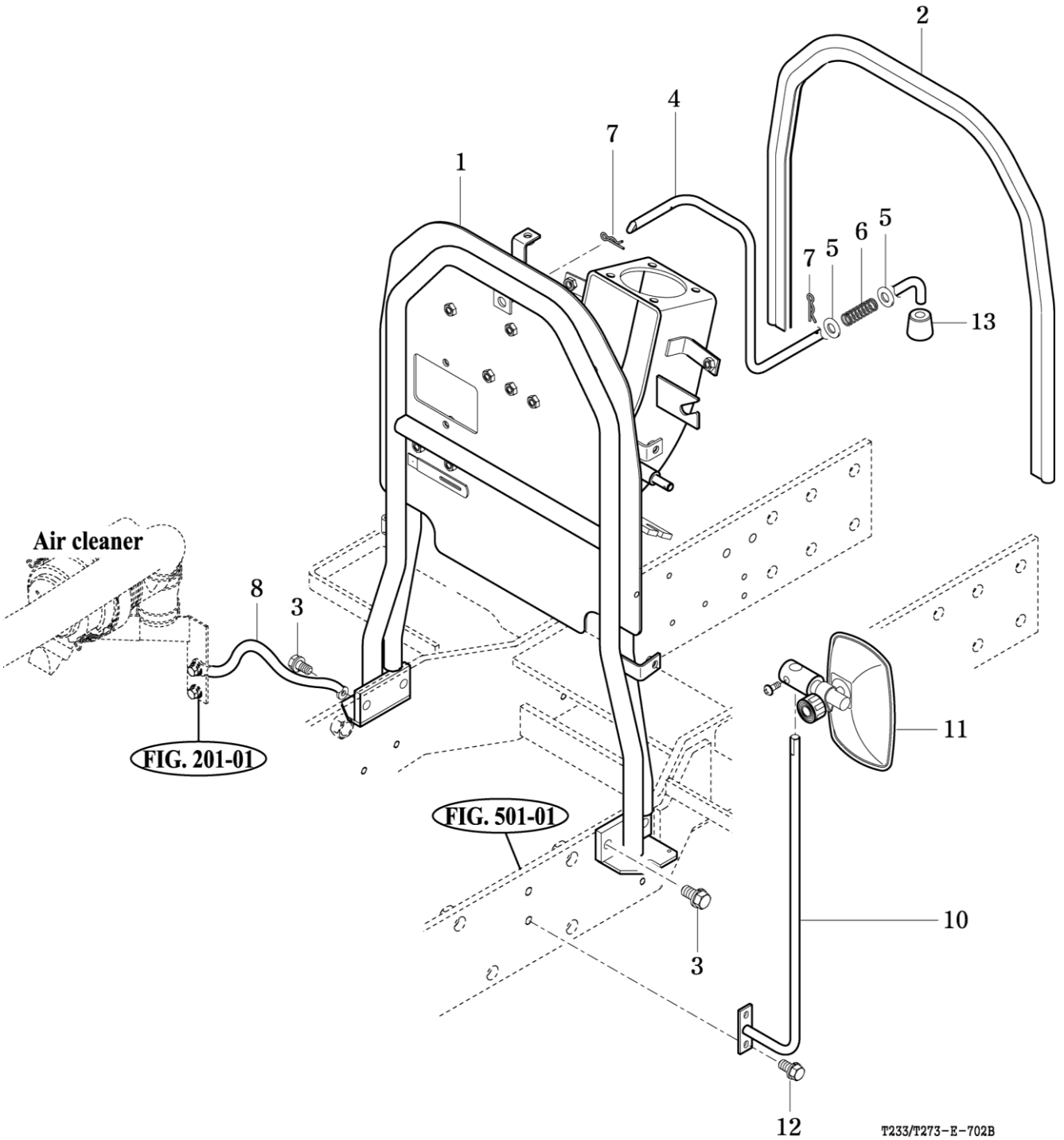
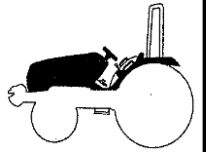
T233 / T273

DASH PANEL

P1

Year / Month

2007 / 11



T233/T273-E-702B

NOTE

FIG 703

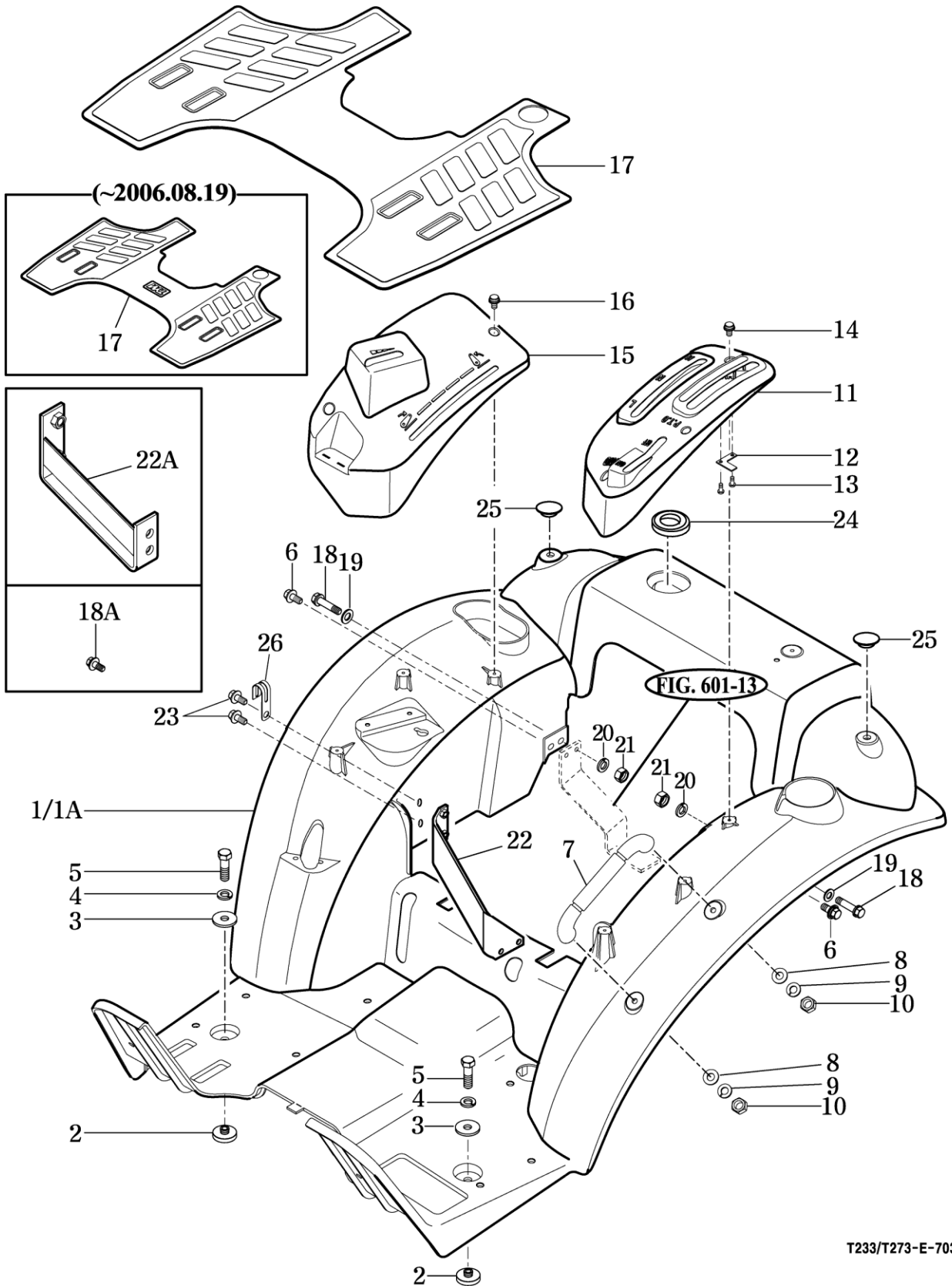
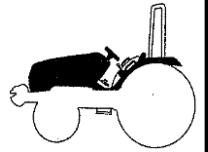
FLOOR

T233 / T273

P1

Year / Month

2007 /11



T233/T273-E-703A

NOTE

FIG 704

T233 / T273

SEAT

P1

Year / Month

2007 / 11

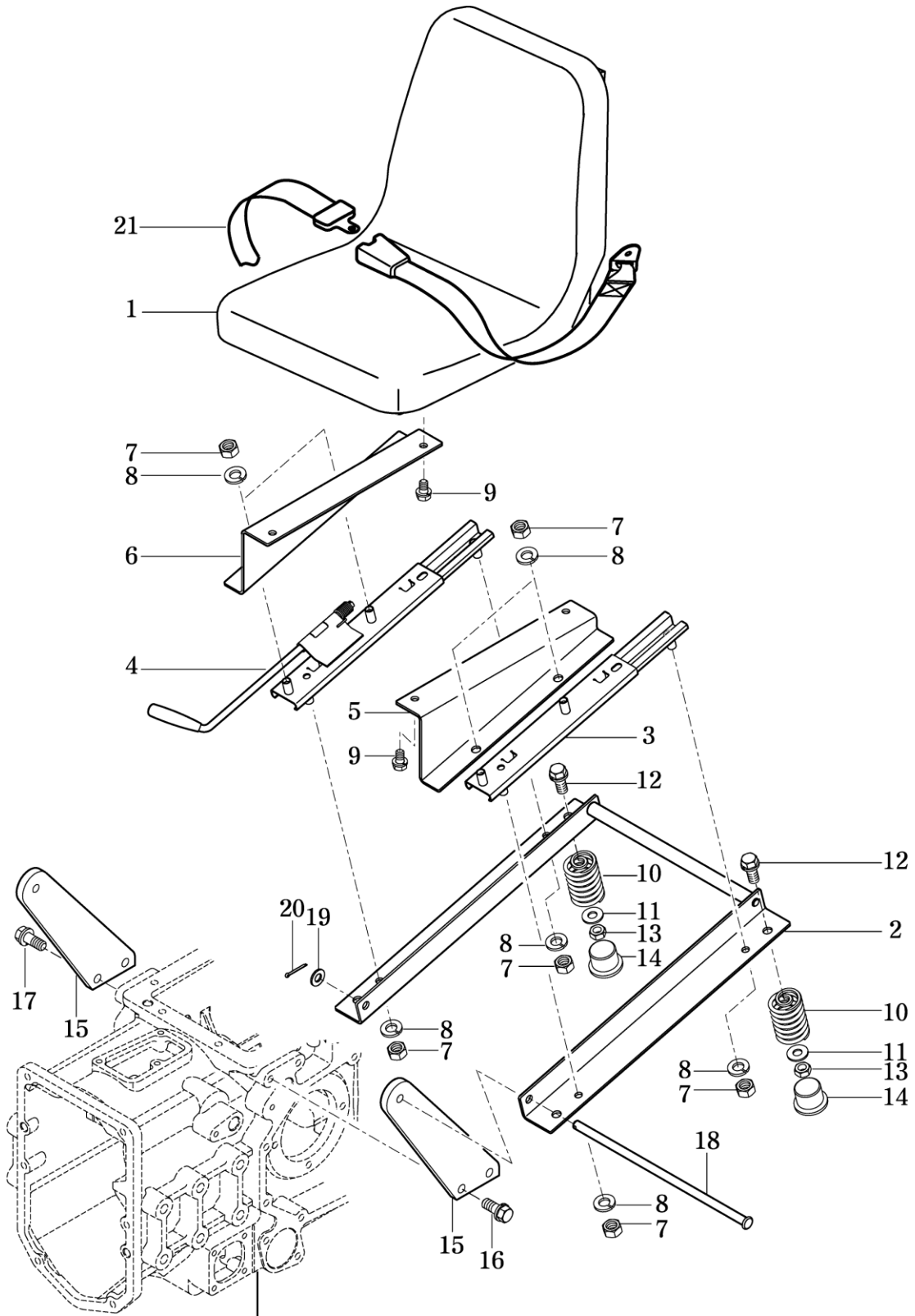
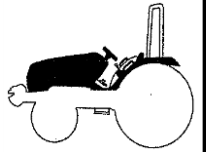


FIG. 410-01

T2334/T2734-E-704A

NOTE

FIG 705

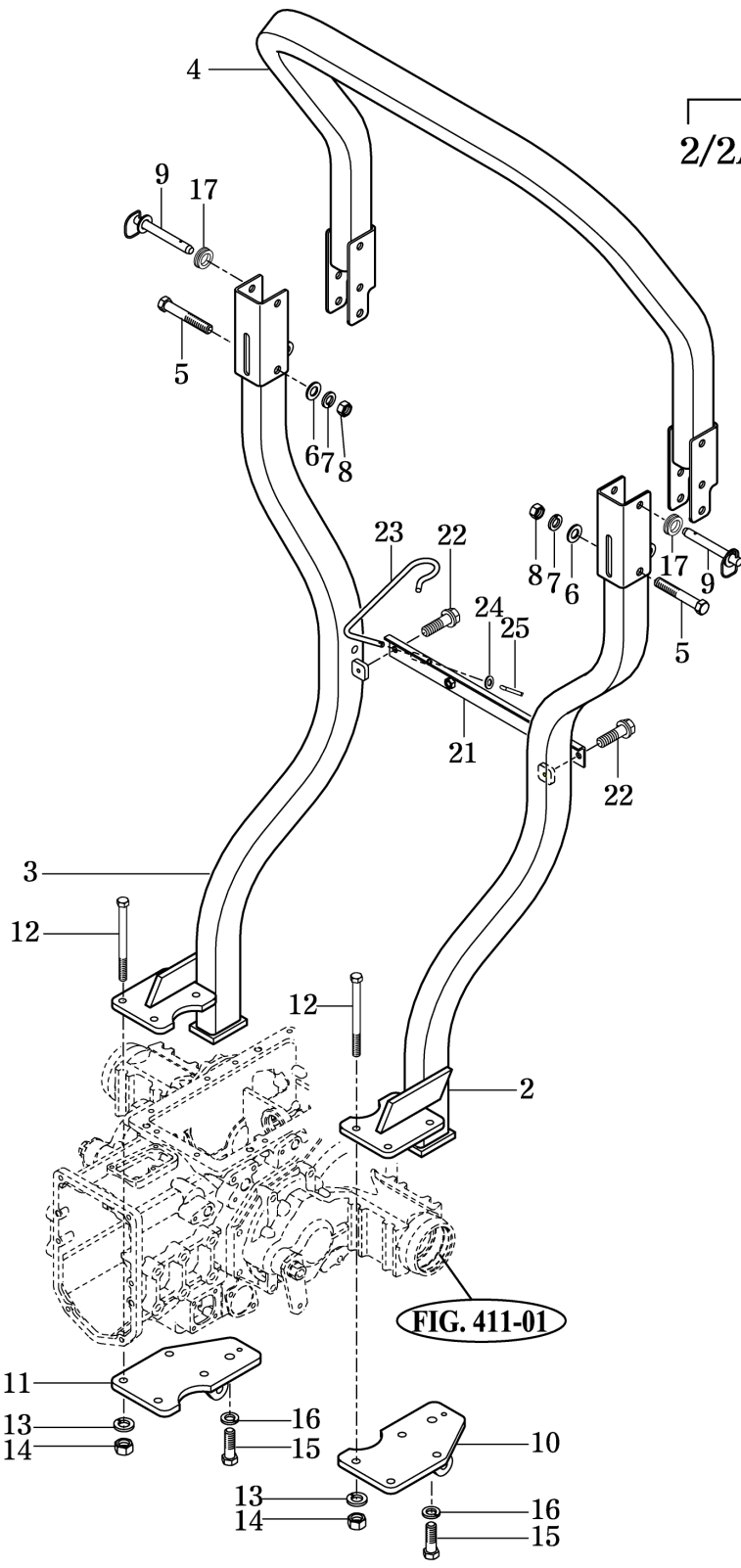
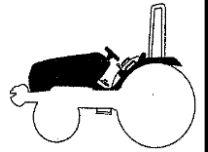
T233 / T273

ROPS

P1

Year / Month

2007 / 11



1/1A
 ┌───┐
 │ │
 └───┘
 2/2A, 3/3A ~ 9

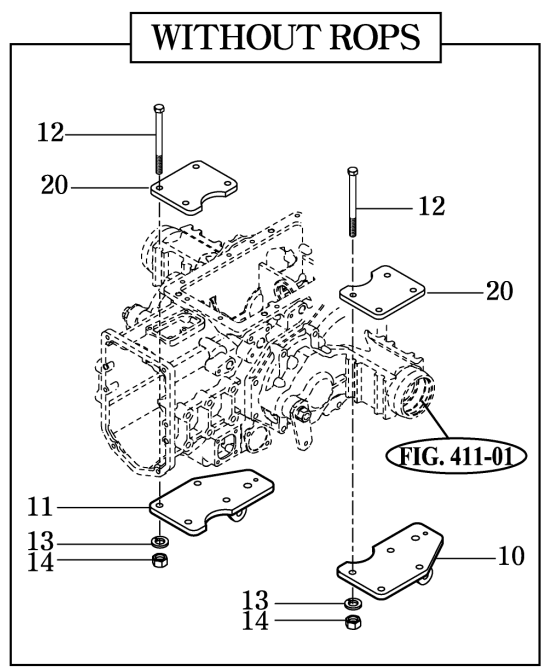
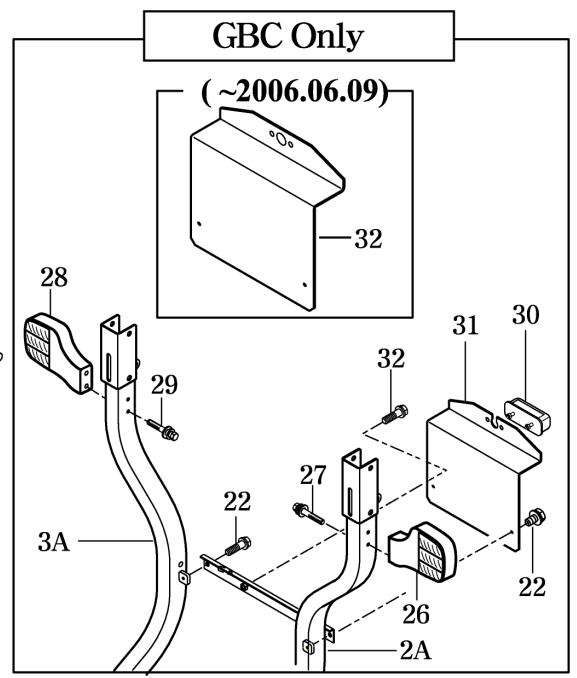


FIG. 411-01

FIG. 411-01

T233/T273-E-705B

NOTE